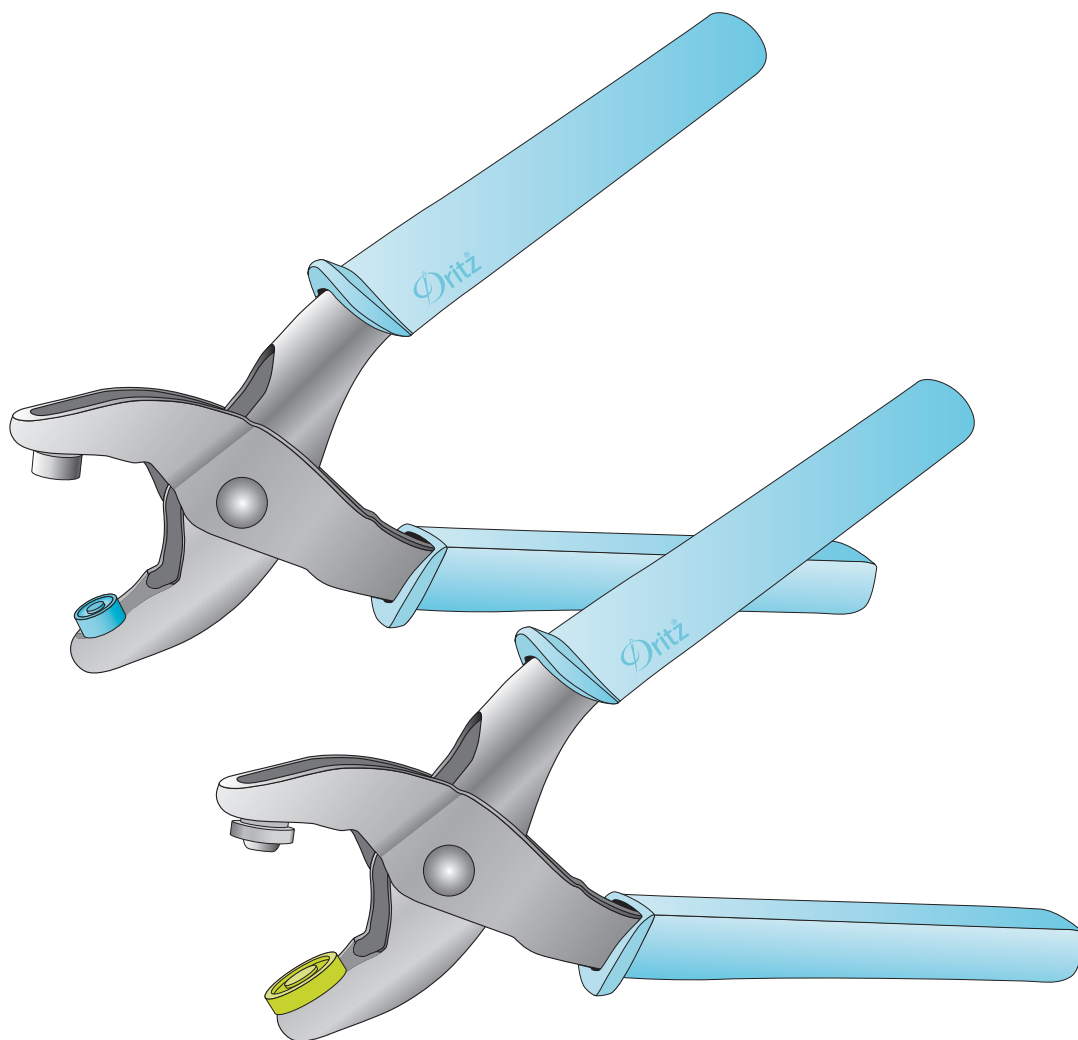




574 EYELET PLIERS

Instruction Guide for Eyelets

Instrucciones españolas



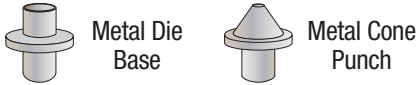
574 EYELET PLIERS – Instructions

Fabric Preparation for 5/32" and 1/4" Eyelets

Use two layers of light to medium-weight fabric, reinforced with interfacing.
Mark position of eyelets.
Test an eyelet on swatch of fabric.

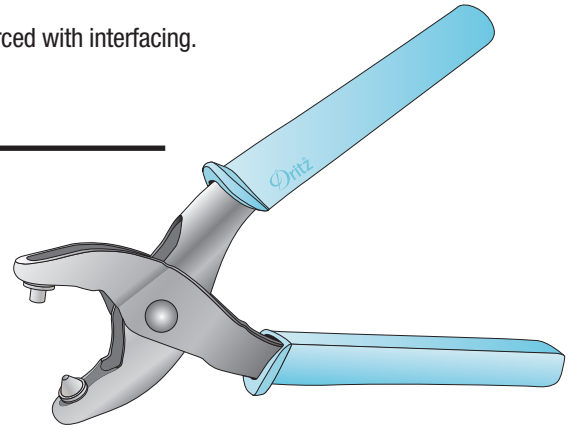
Instructions for Cutting 5/32" Holes in Fabric

Pliers Tools:



Inserting Tools:

Insert die base (large hole opening facing out) in one side of pliers and cone punch in other side.



Cutting Holes:

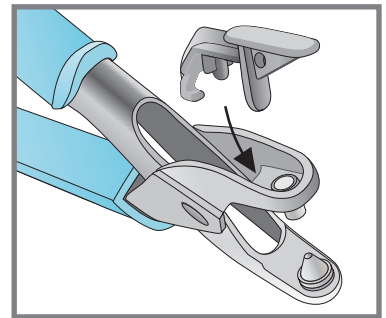
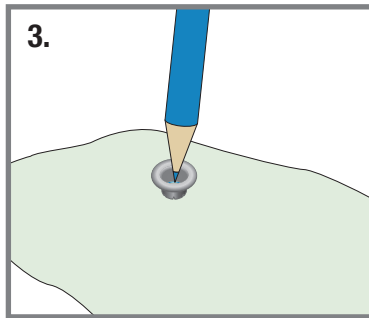
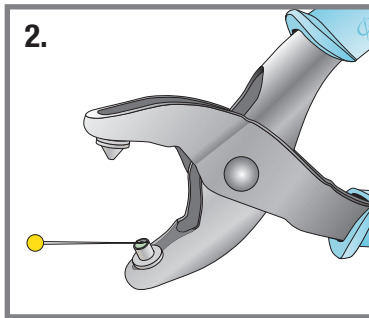
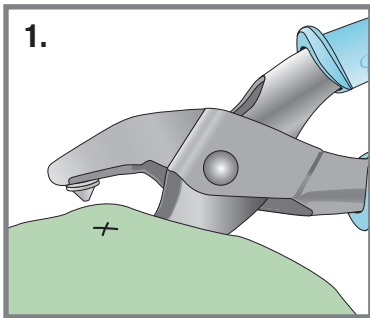
1. Position fabric in pliers and center tools over mark. Squeeze pliers firmly to cut hole.

2. After cutting several holes, it may be necessary to clear hole cutouts from die base. Use a strong straight pin to remove fabric cutouts from die.

3. If pliers' tools will not cut through your specific type of fabric, trace inside of eyelet with fabric, trace inside of eyelet and cut hole with scissors.

Removing Tools:

Slip hook of gray tool remover inside ledge of pliers and press down to release tool. Repeat for opposite side.



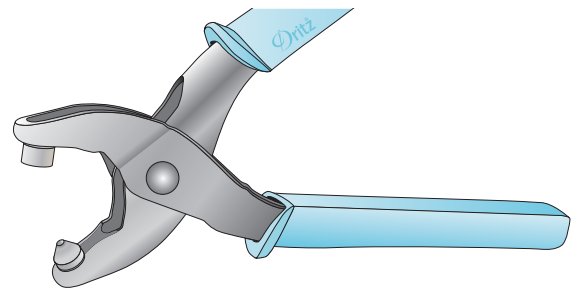
Instructions for Cutting 1/4" Holes in Fabric

Pliers Tools:



Inserting Tools:

Insert round die base in one side of pliers and cone punch in other side.



Cutting Holes:

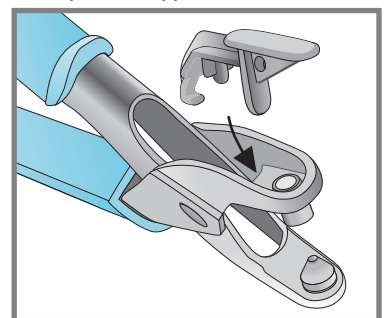
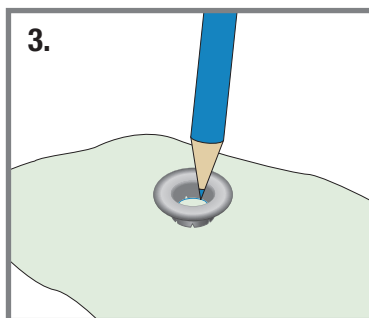
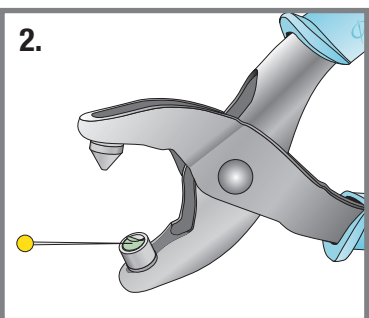
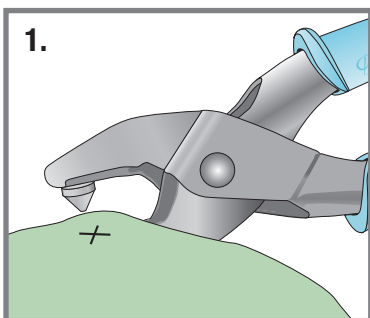
1. Position fabric in pliers and center tools over mark. Squeeze pliers firmly to cut hole.

2. After cutting several holes, it may be necessary to clear hole cutouts from die base. Use a strong straight pin to remove fabric cutouts from die.

3. If pliers' tools will not cut through your specific type of fabric, trace inside of eyelet with fabric, trace inside of eyelet and cut hole with scissors.

Removing Tools:

Slip hook of gray tool remover inside ledge of pliers and press down to release tool. Repeat for opposite side.



574 EYELET PLIERS – Instructions (continued)

Instructions for Applying 5/32" Eyelets

Eyelet Part:

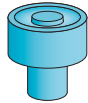


Eyelet

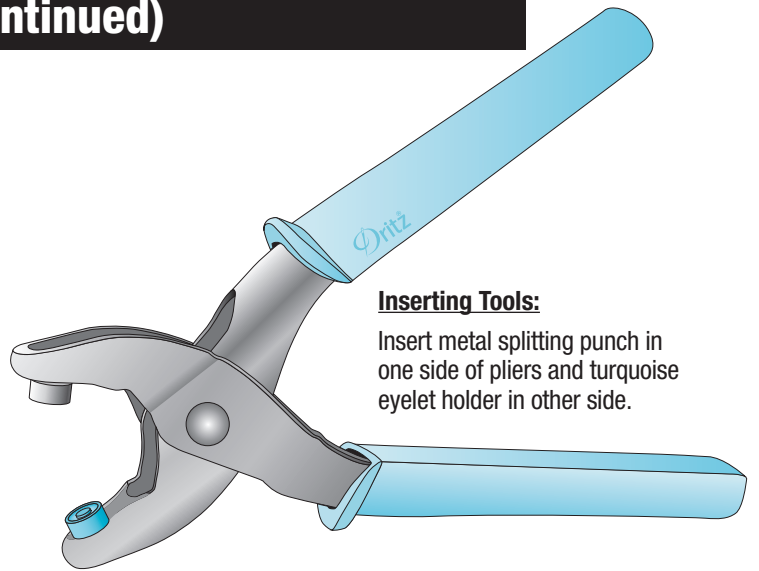
Pliers Tools:



Metal Splitting Punch



Turquoise Eyelet Holder



Inserting Tools:

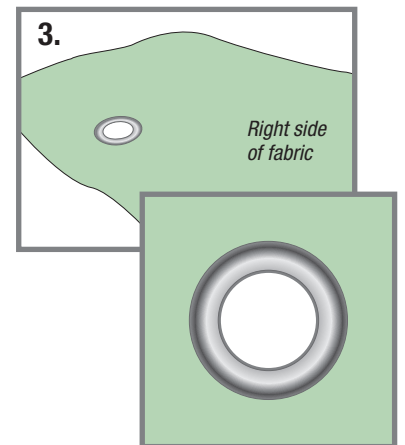
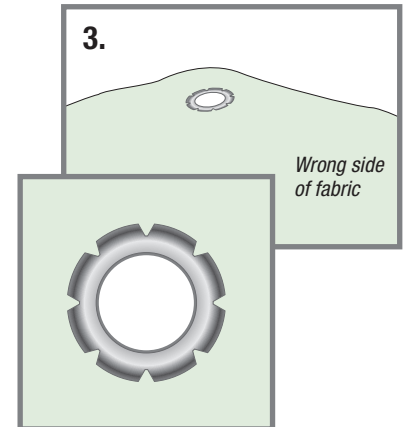
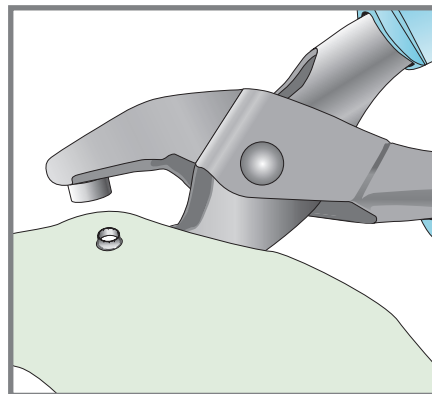
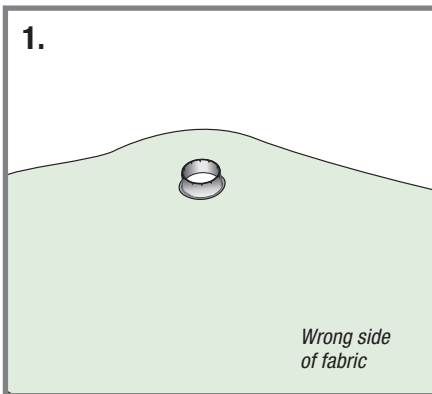
Insert metal splitting punch in one side of pliers and turquoise eyelet holder in other side.

Instructions:

1. Insert eyelet post into hole with eyelet front on right side of fabric.

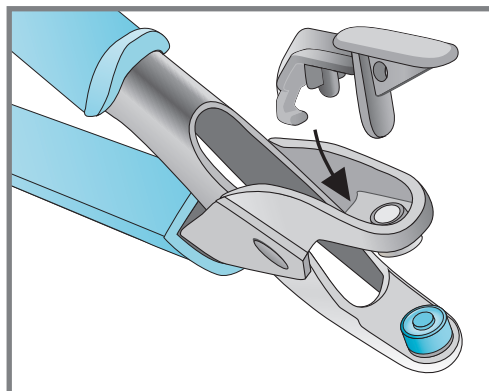
2. With eyelet holder at bottom of pliers, place fabric and eyelet into holder.

3. Squeeze pliers firmly to apply eyelet. Check for tightness; squeeze again, if necessary. Eyelet will split and roll back over fabric.



Removing Tools:

Slip hook of gray tool remover inside ledge of pliers and press down to release tool. Repeat for opposite side.



574 EYELET PLIERS – Instructions (continued)

Instructions for Applying 1/4" Eyelets

Eyelet Parts:

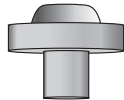


Washer

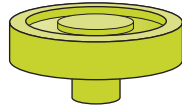


Eyelet

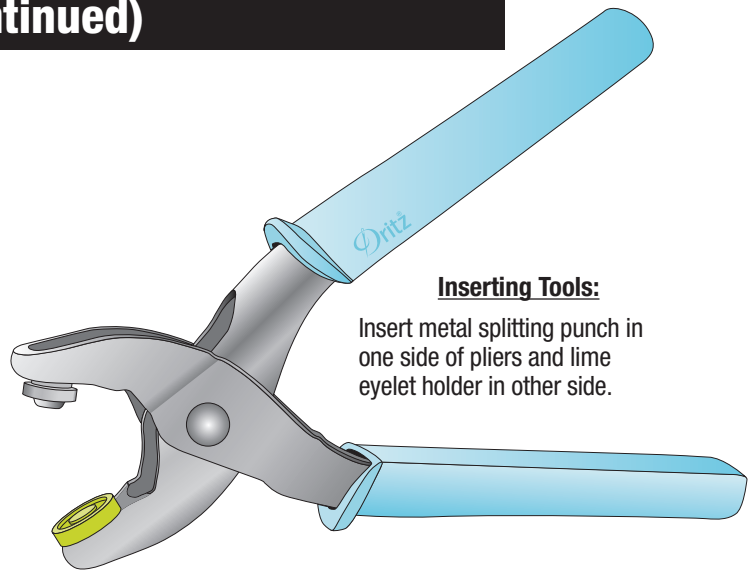
Pliers Tools:



Metal Splitting Punch



Lime Eyelet Holder

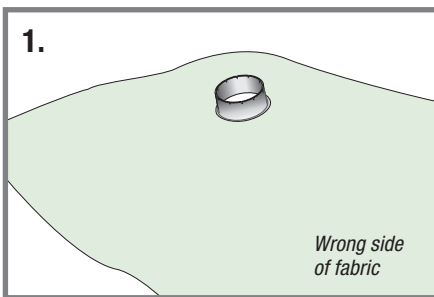


Inserting Tools:

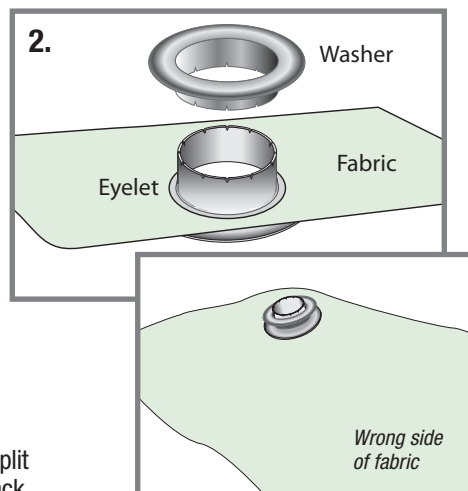
Insert metal splitting punch in one side of pliers and lime eyelet holder in other side.

Instructions:

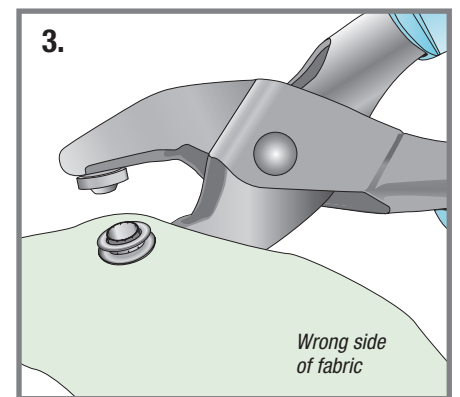
1. Insert eyelet (*deep half*) into hole with eyelet front on right side of fabric.



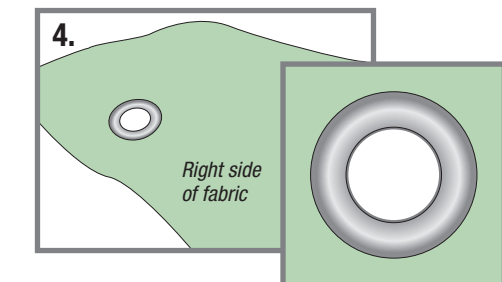
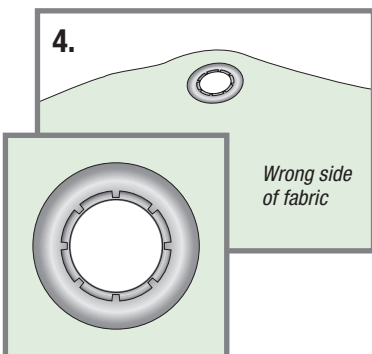
2. Place washer (*shallow half*) over post of eyelet.



3. With eyelet holder at bottom of pliers, place fabric and eyelet into holder.

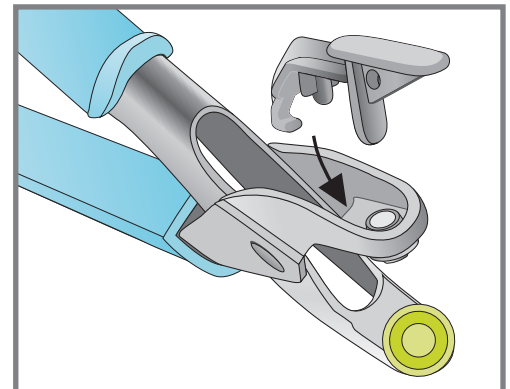


4. Squeeze pliers firmly to apply eyelet. Check for tightness; squeeze again, if necessary. Eyelet will split and roll back over washer.



Removing Tools:

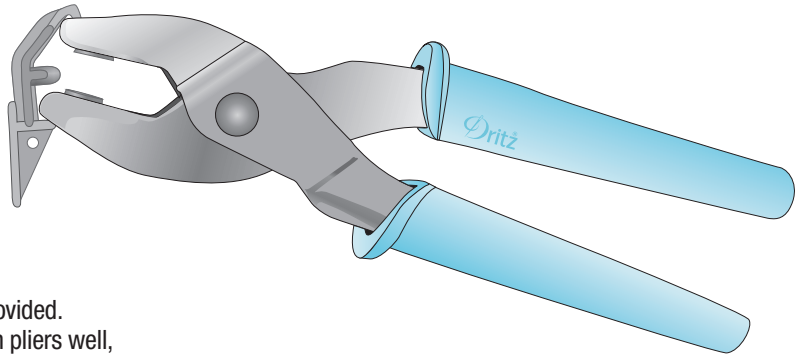
Slip hook of gray tool remover inside ledge of pliers and press down to release tool. Repeat for opposite side.



Additional Information

Storing Pliers

Squeeze pliers together and hook gray tool remover at top of pliers.



Replacement Inserts

Replacement inserts have been provided. When tools are no longer staying in pliers well, remove worn insert and replace with new.



WARNING: Small parts. Keep away from children under 3 years old. NOT A TOY.