

ELEGY PLANTER

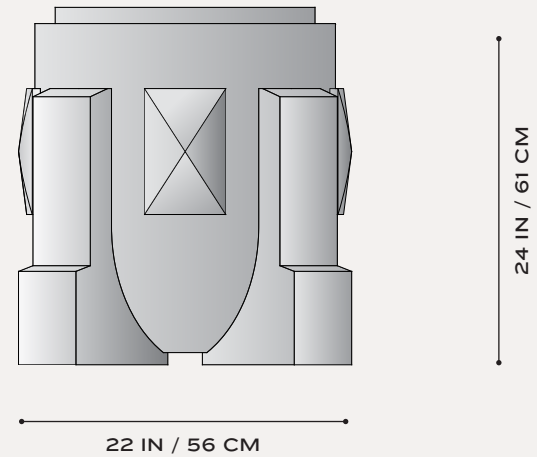
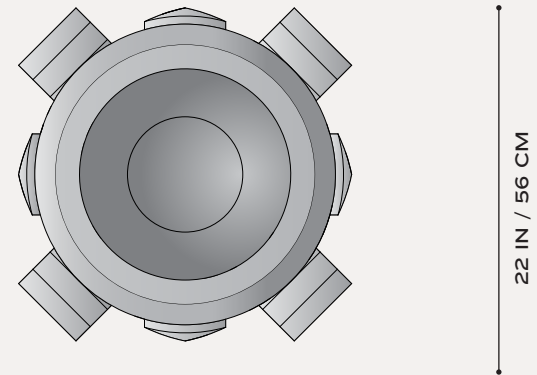




ELEGY PLANTER

CE-P01

DIMENSIONS	22 DIA x 24 H IN 56 DIA X 61 H CM
WEIGHT	APPROX. 395 LBS / 180 KG
PRICE <i>FROM</i>	\$ 9,580
MATERIAL STONE	ICELANDIC BASALT
LEAD TIME	UPON REQUEST
PROTECTIONS	PATENT PENDING



FINISHED AND ASSEMBLED IN NYC

TERMS

ALL PRICES ARE IN U.S. DOLLARS AND ARE F.O.B. NEW YORK. SHIPPING & PACKING CHARGES ARE ADDITIONAL. A MINIMUM DEPOSIT OF FIFTY PERCENT IS REQUIRED TO INITIATE ORDER. ORDERS MUST BE PAID-IN-FULL PRIOR TO SHIPPING. ALL PRICES ARE SUBJECT TO CHANGE.

ELEGY PLANTER

CE-P01



STONE

IB
ICELANDIC BASALT