

ELEGY LOW TABLE





WATER LILY, PUMICED SILVER



SUMI, OXIDIZED BRONZE



ELEGY LOW TABLE

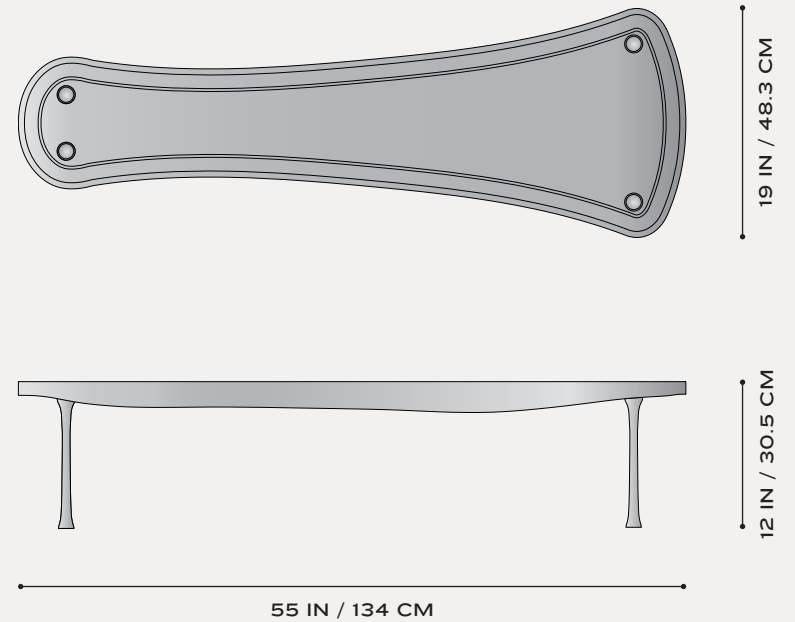
CE-T02

DIMENSIONS	55 W X 19 D x 12 H IN 134 W X 48.3 D X 30.5 H CM
WEIGHT	APPROX. 78 LBS / 35.4 KG
PRICE <i>FROM</i>	\$ 16,200
MATERIAL STONE METAL	MARSH GREEN, PAONNAZO, SUMI, WATER LILY OXIDIZED BRONZE, PUMICED SILVER
LEAD TIME	UPON REQUEST
PROTECTIONS	PATENT PENDING

FINISHED AND ASSEMBLED IN NYC

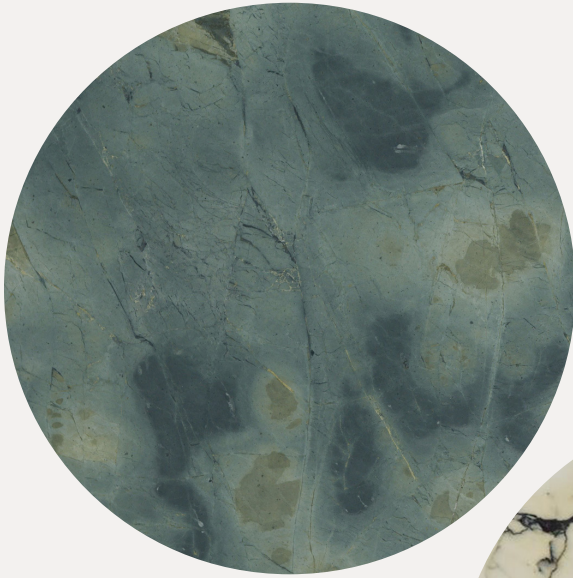
TERMS

ALL PRICES ARE IN U.S. DOLLARS AND ARE F.O.B. NEW YORK. SHIPPING & PACKING CHARGES ARE ADDITIONAL. A MINIMUM DEPOSIT OF FIFTY PERCENT IS REQUIRED TO INITIATE ORDER. ORDERS MUST BE PAID-IN-FULL PRIOR TO SHIPPING. ALL PRICES ARE SUBJECT TO CHANGE.



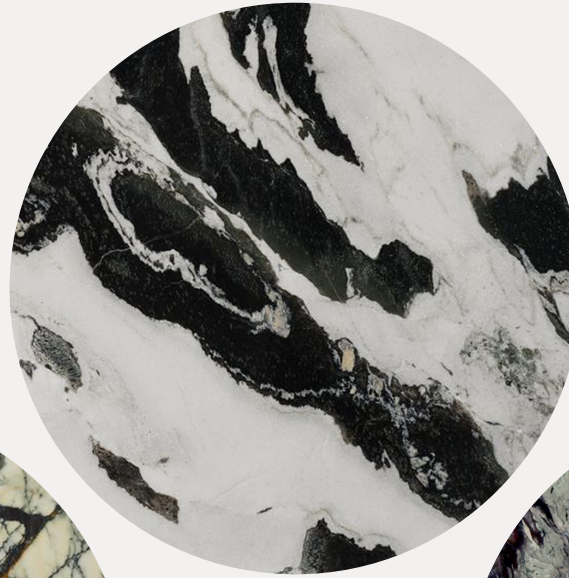
ELEGY LOW TABLE

CE-T02



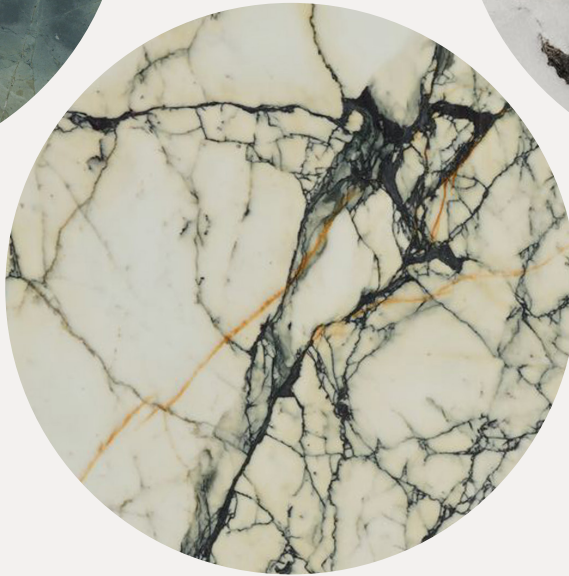
MG

MARSH GREEN



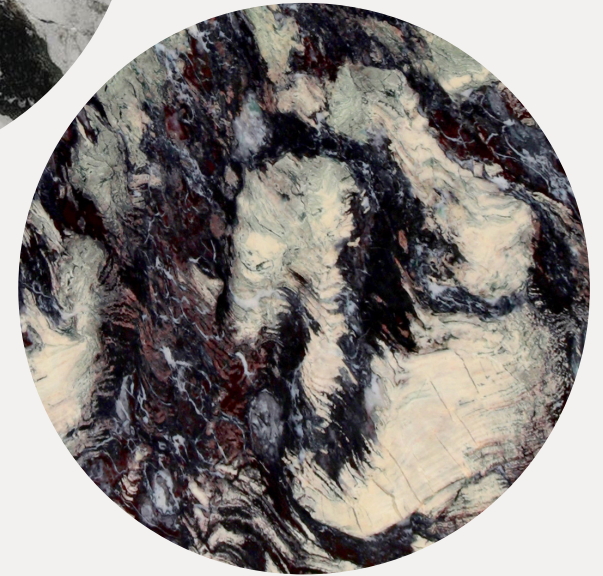
S

SUMI



P

PAONAZZO



WL

WATER LILY

STONE

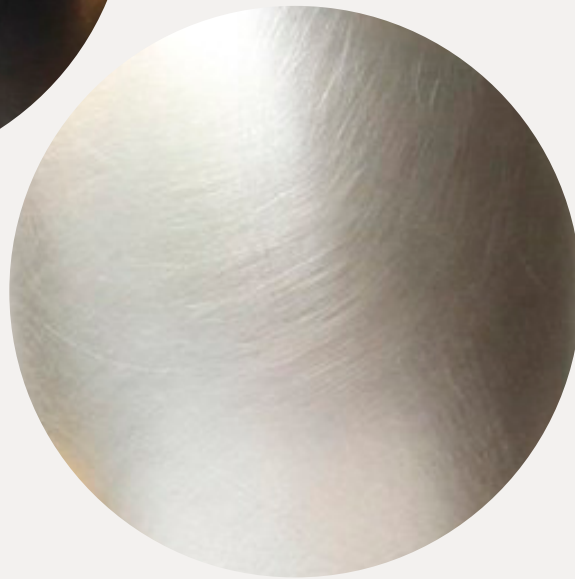
ELEGY LOW TABLE

CE-T02



OB

OXIDIZED BRONZE



PS

PUMICED SILVER

METAL