

Smart Plug

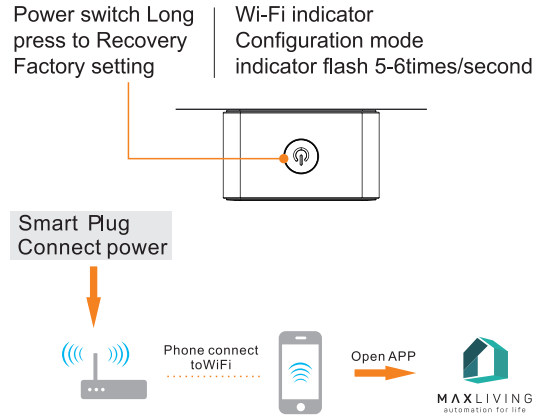
Quick User Guide

1. Install APP

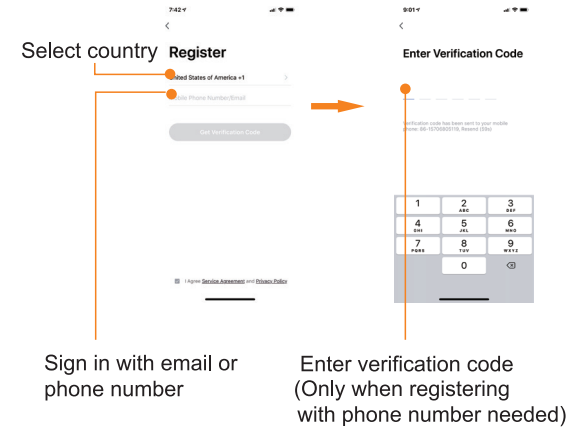


Scan QR code (compatible with Android & iOS system), or search "MaxLiving" in APP Store or Google Play

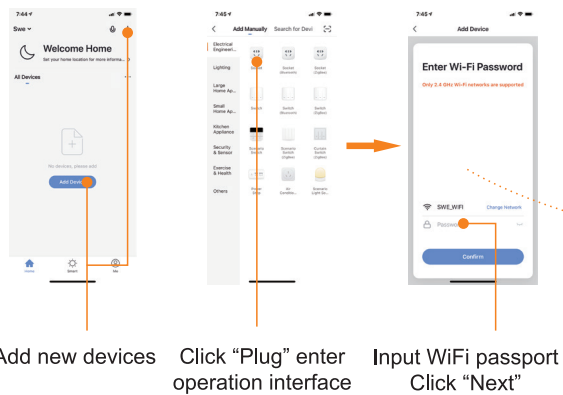
2. Usage scenarios



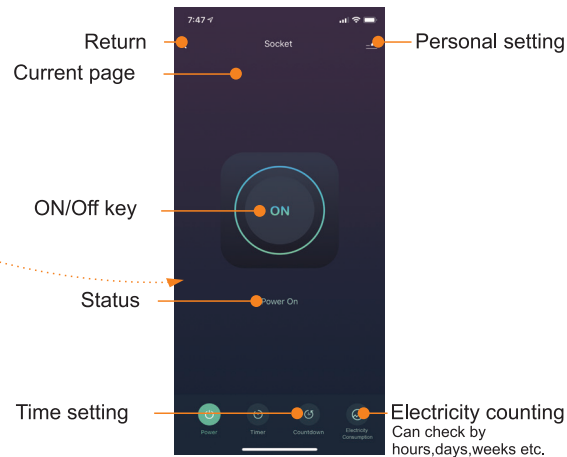
3. Register APP



4. Configure



5. Experience



6. Parameters

Product: 15A Wi-Fi Smart Plug
 Model: ML-US-01
 Rated Voltage: 125V~
 Rated Current: 15A
 AC Frequency: 50/60Hz
 Max. Power: Up to 1800W
 Wireless Type: 2.4GHz
 System Support: iOS/Android

ON/Off Button
 Press Long Time,Restore to Factory Settings

