

Smart Plug

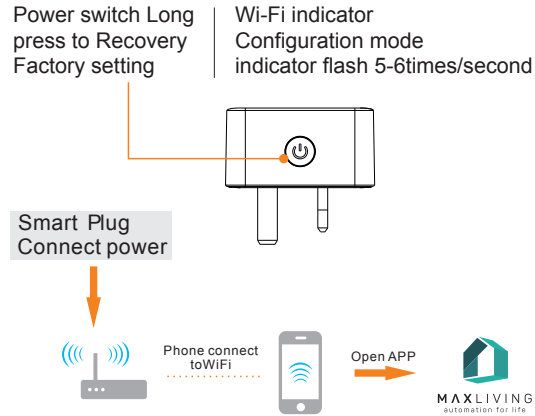
Quick User Guide

1. Install APP

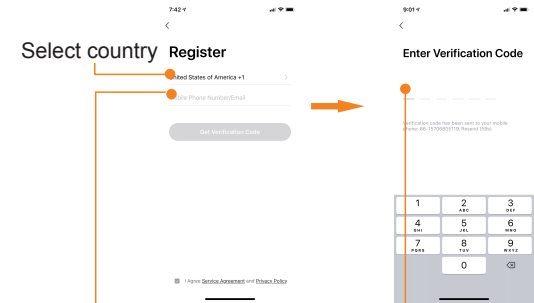


Scan QR code (compatible with Android & iOS system), or search "MaxLiving" in APP Store or Google Play

2. Usage scenarios



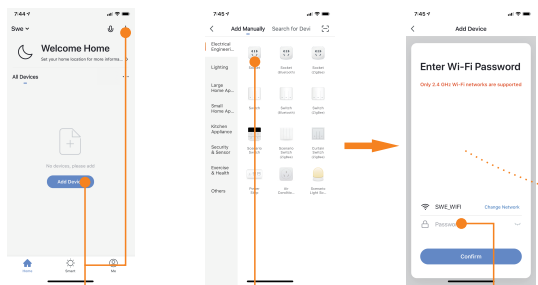
3. Register APP



Sign in with email or phone number

Enter verification code (Only when registering with phone number needed)

4. Configure

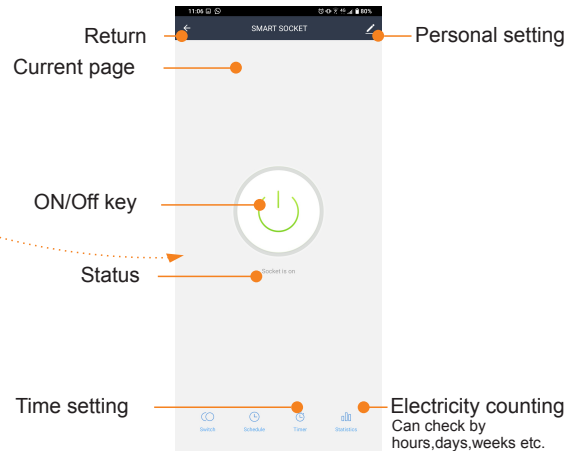


Add new devices

Click "Plug" enter operation interface

Input WiFi passport Click "Next"

5. Experience



6. Parameters

Product: 16A Wi-Fi Smart Plug
Model: ML-BS-01
Rated Voltage: AC 110V - 240V
Rated Current: 16A Maximum Load
Wireless Type: 2.4GHz, 1T1R
System Support: iOS/Android

ON/Off Button
Press Long Time, Restore to Factory Settings

