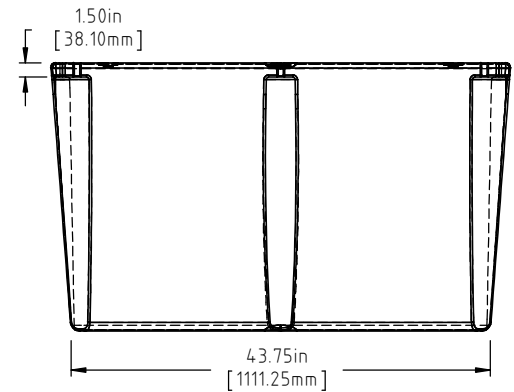
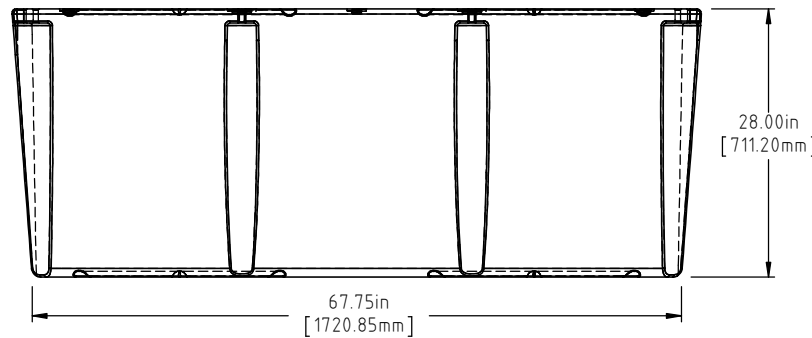


CORNER DETAIL
 DETAIL A
 SCALE 1:3



NOTE: BUOYANCY IS 2940 LBS.(1333.56 KG)

				DRAWN / DATE DHJ 8/14/07	MATERIAL POLYETHYLENE
A	ADD BUOYANCY NOTE	ADH 6/25/12	2420	APPRD. / DATE REH 10/3/07	
REV	DESCRIPTION	BY / DATE	CCN		
ALL DIMENSIONS ARE IN DECIMAL INCHES TOLERANCES UNLESS OTHERWISE SPECIFIED		THIRD ANGLE PROJECTION ANSI 14.5M		SHOT WEIGHT: 90 LBS. (40.82 KG.)	NOTES: 1.) AF 90 LBS. (40.82 KG.) 2.) FF 141 LBS. (63.96 KG.) 3.) 0.175 IN (4.44 mm) NOM. WALL
POLYETHYLENE		METAL DECIMAL ± .125" FRACTION ± 1/4" ANGLE ± 1°		SHIPPING WEIGHT: SEE NOTES	
±1% @ 68°F				FINISH:	



Den Hartog
 INDUSTRIES, INC.

Acra Roto-Mold Injection Molding Blow Molding Sowjoy

4010 HOSPERS DRIVE S. BOX 425, HOSPERS, IOWA 51238-0425

DESCRIPTION 48 x 72 x 28 FLOAT	
SCALE N.S.	PART NO. 4872-28