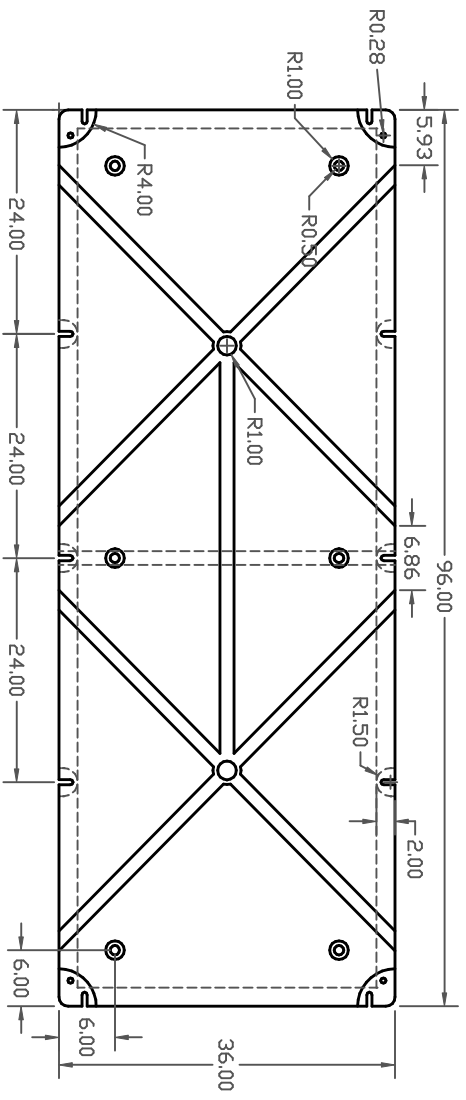
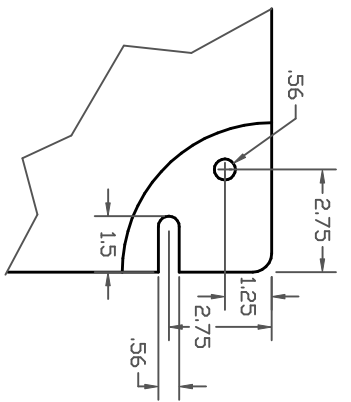


PROPRIETARY DATA

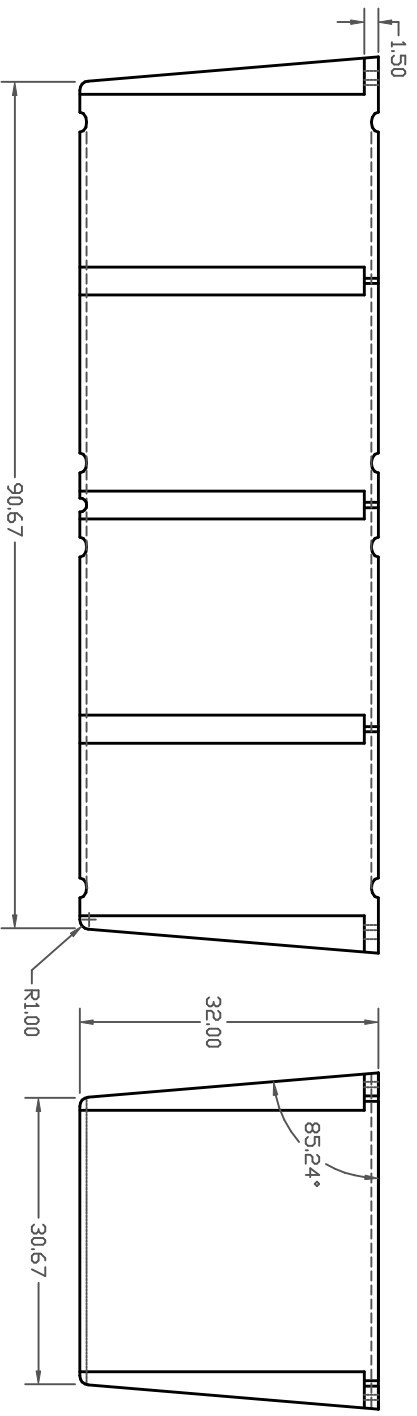
PROPERTY OF ACE ROTO-MOLD MFG., INC. INFORMATION FURNISHED HEREIN IS THE PROPERTY OF ACE ROTO-MOLD MFG., INC. AND SHALL NOT BE USED, DISCLOSED TO OTHERS, OR COPIED WITHOUT THE EXPRESSED WRITTEN CONSENT OF ACE ROTO-MOLD MFG., INC. ALL RIGHTS RESERVED.

3696-32

CORNER DETAIL

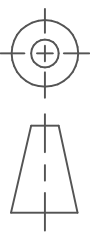


PROPOSED



REV	DESCRIPTION	DATE	APPRD	DRAWN / DATE	MATERIAL
				DHJ 4/10/07	MDPE OR EQUIVALENT REFERENCE MATERIAL DATA SHEET FOR SPECIFIC PROPERTIES.

THIRD ANGLE PROJECTION  
ANSI 14.5M



**Ace Roto-Mold**  
 A DIVISION OF DEN HARTOG INDUSTRIES, INC.  
 4018 HWY. 60 BLVD., BOX 421, HOSPERS, IOWA 51238

CLIENT / DESCRIPTION  
 3696-32 FLOODAT

SCALE	N.S.	PART NO.	3696-32
-------	------	----------	---------

ALL DIMENSIONS ARE IN DECIMAL INCHES  
 TOLERANCES UNLESS OTHERWISE SPECIFIED  
 + 1% @ 68° F