

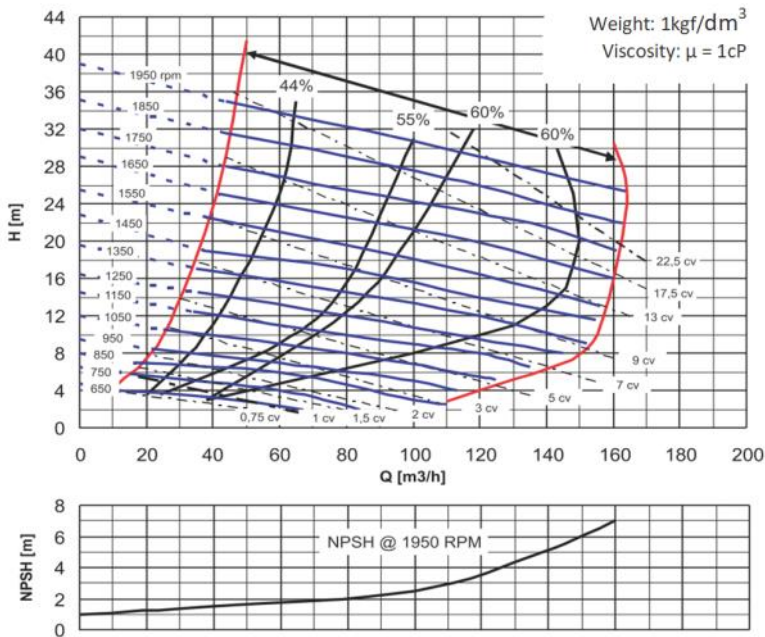


E4



TORO E4

Performance Curves



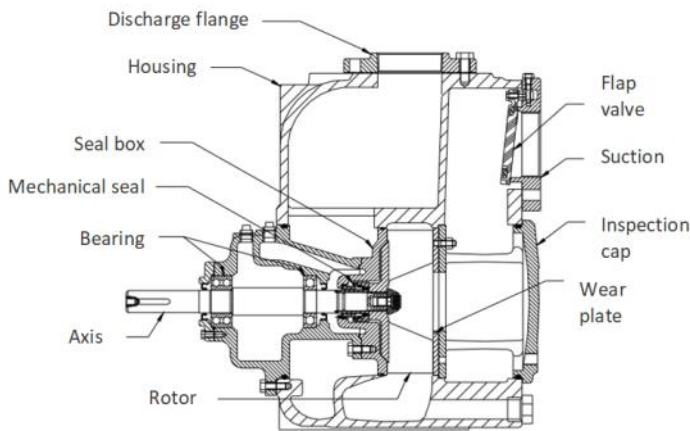
Specification

Maximum flow rate	163 m^3/h
Maximum height pressure	34m
Maximum speed	1950 rpm
Weight	302 kg
GD ²	0.55 (kg m^2)
Maximum diameter of solids	3"
Suction flange diameter	4" BSP
Discharge flange diameter	4" BSP
Rotor diameter	9 3/4"
Diameter of drain connections	1 1/4" BSP

Priming Height

650 rpm - 1.5m	950 rpm - 5.8m
750 rpm - 2.4m	1050 rpm - 6.7m
850 rpm - 4.8m	1150 rpm - 7.3m
From 1250 to 1950 rpm - 7.6m	

Cutaway View



About TORO

Toro E self-priming pumps are the result of listening to our customers. Used on numerous projects around the world, they meet the demand for a self-priming pump with the same level of service and support as other Intrax products. Toro E is the ideal robust solution for a wide range of industries, highlighting conventional and lithium mining, chemical and petrochemical, among others. Available in a series of state-of-the-art coatings, they provide a finish resistant to abrasion and corrosion, guaranteeing the correct operation with dirty fluids or with suspended particles.

Dimension

