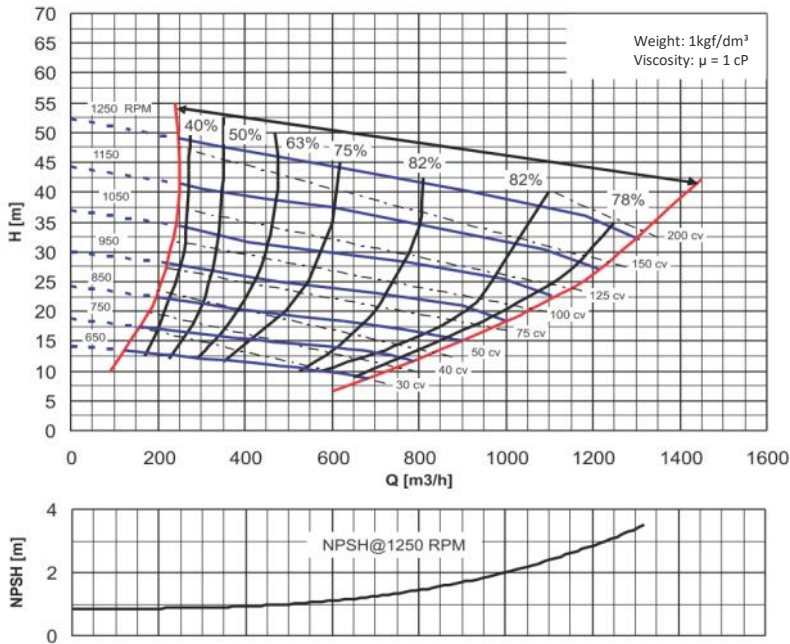




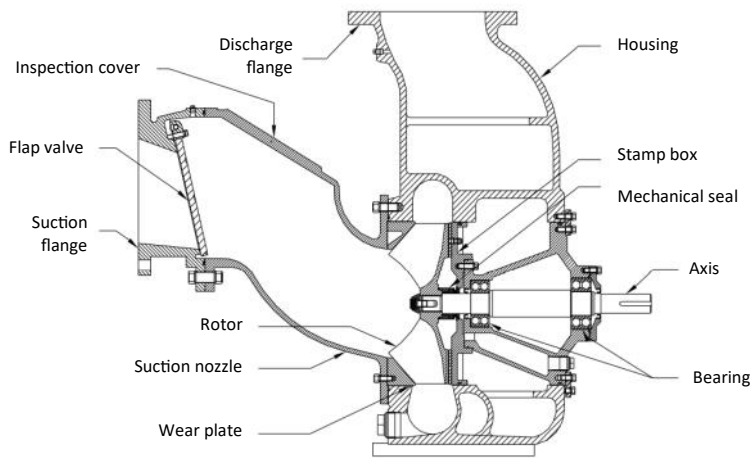
**EI2**

# TORO E12

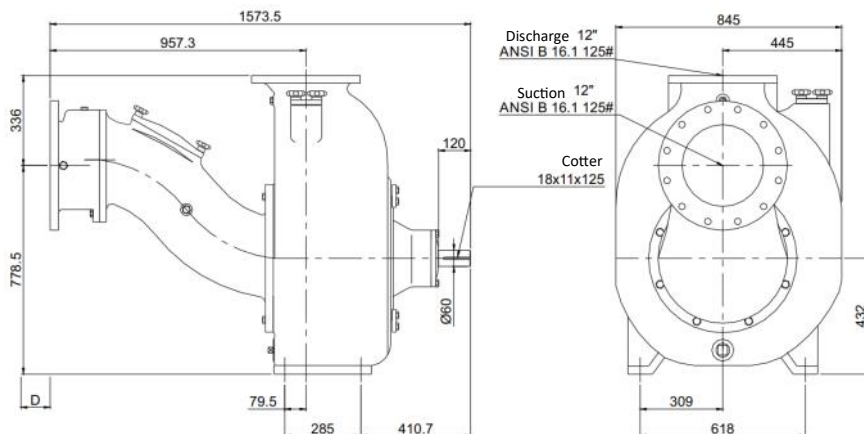
## Performance Curves



## Cutaway View



## Dimension



## Specification

Maximum flow	1250 m <sup>3</sup> /h
Maximum head pressure	48 m
Maximum speed	1250 rpm
Weight	750 kg
GD <sup>2</sup>	6 (kg m <sup>2</sup> )
Solid diameter	3"
Suction flange diameter	12" BSP
Discharge flange diameter	12" BSP
Rotor diameter	18"
Drain Connections Diameter	2" BSP

## Priming Height

650 rpm - 1.5m
750 rpm - 2.4m
850 rpm - 3.6m
950 rpm - 4.2m
1050 rpm - 4.6m

## About TORO

Toro E self-priming pumps are the result of listening to our customers. Used on numerous projects around the world, they meet the demand for a self-priming pump with the same level of service and support as other Intrax products. Toro E is the ideal robust solution for a wide range of industries, highlighting conventional and lithium mining, chemical and petrochemical, among others. Available in a series of state-of-the-art coatings, they provide a finish resistant to abrasion and corrosion, guaranteeing the correct operation with dirty fluids or with suspended particles.