

TT05 Treatment Tank

About

The TT05 is designed to pre-treat water with reagents such as coagulant and flocculent polymer to improve settlement of solids, or for pH correction.

The TT05 is a simple way of batch or continuously processing water to prepare it for further treatment. Pre-treatment is essential to getting good water quality outcomes, especially if the water is heavily contaminated with clay or has a high acid or alkaline state.

The pre-treated water is often discharged to an EnviroHub HL Lamella tank for final clarifying into clean water, ready for re-using.

How it Works

Working in conjunction with a dosing unit and controller (TU02), it has three compartments: 1. Initial flash mix chamber for coagulants or other homogenous dispersion chemicals. 2. Slow mix flocculation or dwelling chamber. 3. Final discharge and quality checking (if monitoring is used).

Features

- 5.0m³ water holding capacity
- Can be used for polymer, acid, alkaline or CO₂ dosing
- Easy to move around via chain lift or fork pockets
- 2no Agitation stirrers to ensure full water treatment
- Very compact footprint
- Designed to be used in conjunction with TU02 dosing system

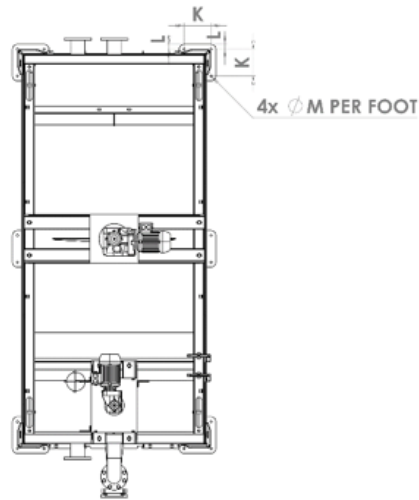
Specification

Value	TT05	Unit
Mass (Empty)	1800	kg
Mass (Full)	7000	kg
Length	2.3	m
Width	1.7	m
Height	3.7	m
Total Capacity	5.2	m ³
Max Flow Rate	25	m ³ /H
Agitator 1 Voltage	400 3 Phase	V
Agitator 1 Power	1.1	kW
Agitator 2 Voltage	415 3 Phase	V
Agitator 2 Power	1.1	kW

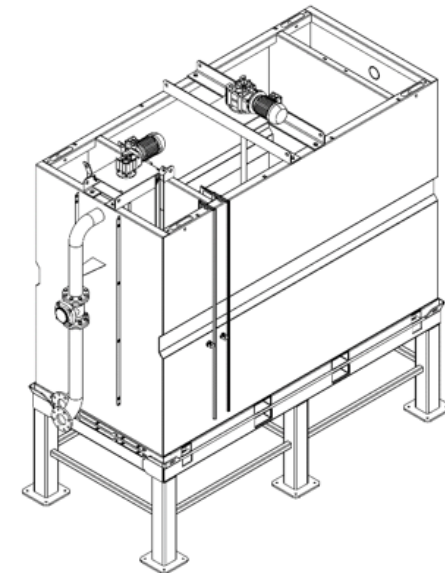


Layout Drawings

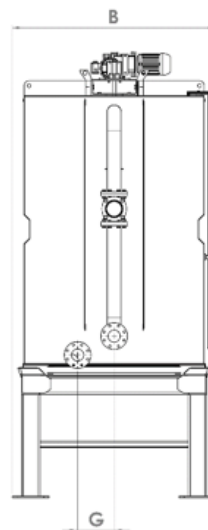
Dimension	TT05 (mm)
A	2663
B	1640
C	3662
D	1280
E	3000
F	1666
G	300
H	2250
I	184
J	716
K	220
L	25
M	17



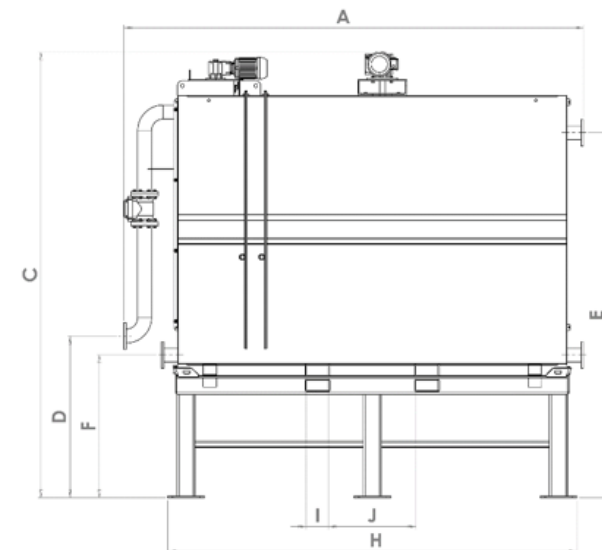
TOP



ISOMETRIC



FRONT



RIGHT