

CT03-GU

Correction Tank

3m³ pH Correction Tank - Unidirectional

About

The CT03-GU is designed to treat water that requires pH adjustment. This can be done by addition of CO₂ gas for correction of alkaline water. The CT03-GU is a simple self-contained unit providing effective means to ensuring that environmental pollution concerns of water with high pH are safely met. This ensures compliance with authorities such as the Environment Agency and Water board's site water standards requirements.

Features

- pH neutralisation by CO₂ dosing.
- Suitable for all wastewater applications which require pH correction.
- Continuous online monitoring of pH and discharge flow rate (optional).
- Cyclic flow operation, minimal intervention required.
- Easy to move around via chain lift or fork pockets.
- Hinged top to the CO₂ chamber to enable cylinders to be replaced by forklift truck to eliminate manual handling.

Benefits

- Minimises environmental impact of pH contaminated water and ensures compliance.
- Good practice for Health, Safety and Environment requirements on site
- Provides a neutralised water for safe disposal.
- Easy and fast to deploy or move around site.
- Provides activity reporting automatically for HSE files (optional).

How it Works

The CT03-GU uses CO₂ to neutralise highly alkaline water such as from concrete washout and wedge pits. The onboard automated dosing ensures that the water is safely brought to within a pH of 6 to 8, ensuring it is safe enough for re-use or discharge offsite into the drains.

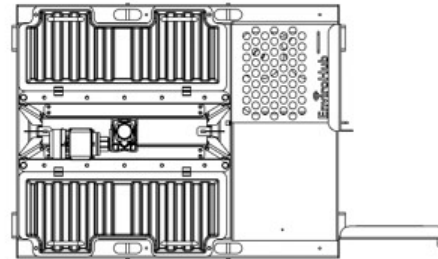
Specification

Value	CT03-GU	Unit
Mass (Empty with full CO ₂ cylinders)	1500	kg
Mass (Full)	4500	kg
Length	2.6	m
Width	1.6	m
Height	2.3	m
Total Capacity	3	m ³
Max Flow Rate	25	m ³ /h
Agitator Voltage	400 3 Phase	V
Agitator Power	0.55	kW
Required Minimum Fork Length Widthwise	0.7	m
Required Minimum Fork Length Lengthwise	1	m
No. K Size CO ₂ Cylinders Supported	6	-
Upper Port Couplings	2" BSP	-
Lower Port Couplings	2" BSP	-

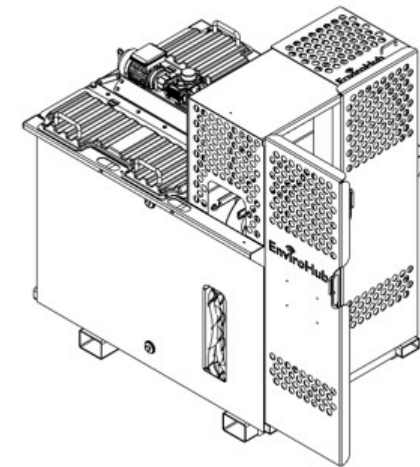


Layout Drawings

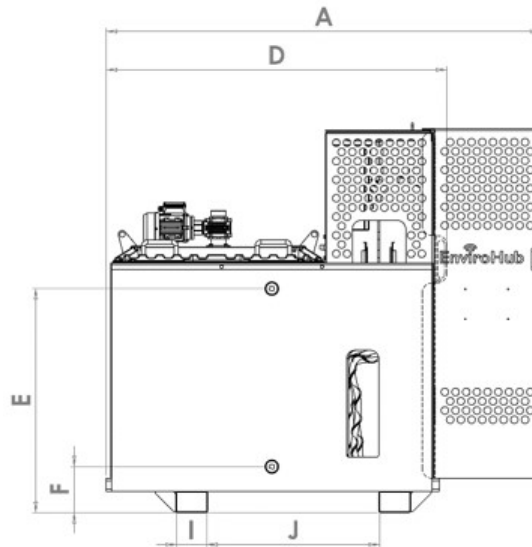
Dimension	CT03-GU (mm)
A	2580
B	1550
C	2215
D	1975
E	1825
F	305
G	184
H	715
I	184
J	715



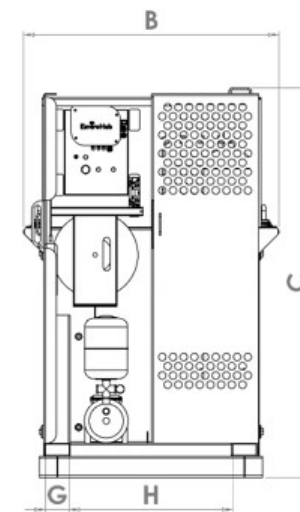
TOP



ISOMETRIC



FRONT



RIGHT