

AUDEX

AW PRO 3-370 TA

Designed with your industry in mind



Overview

- 3" Submersible dewatering pump
- Heavy duty cast iron body
- Lifting handle for carrying and suspending pump
- Proven and reliable design
- Rugged construction
- Built for abrasive applications
- Intelligent control system:
 - Built in water level sensor
 - Protection against reverse rotation, impeller jams and motor overload
 - High temperature cut-out
 - Automatic recovery and malfunction assessment

AUDEX
INDUSTRIAL DEWATERING

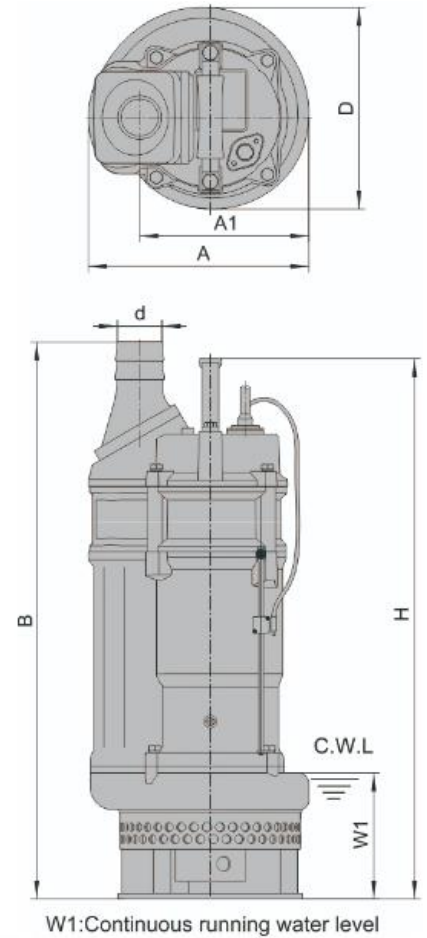
AUDEX AW PRO 3-370 TA

Specification

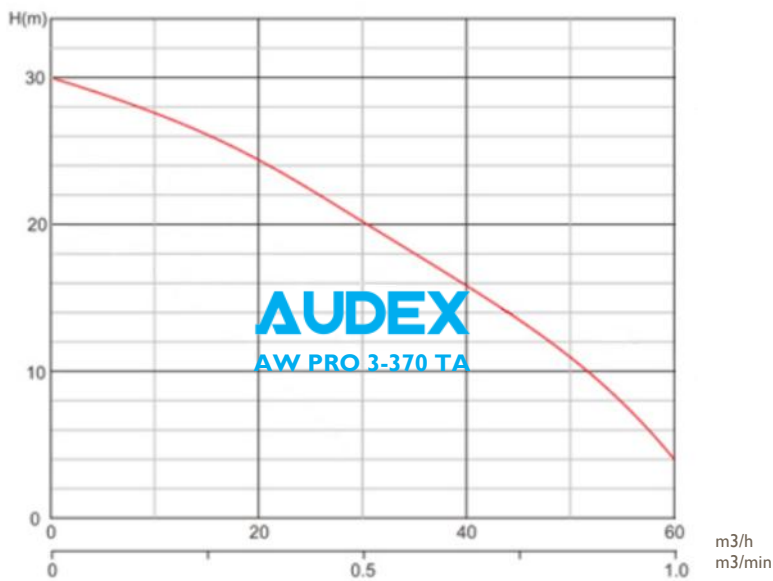
Capacity	Up to 60m ³ /h
Head	Up to 30metres
Power	3.7kW(5HP)
Power Supply	Three phase 400V±10%
Insulation Class	F
Protection Class	IP68
Cable Length	20m
Water Temperature	Up to 40°C
Max Water Depth	25m

Dimensions & Weights

d	80mm
A	283mm
A1	208mm
B	714mm
D	252mm
H	720mm
W1	165mm
N.W	72Kg
G.W	77Kg
Packing Dimensions	770 x 320 x 295



Performance



About Audex

Audex are respected manufacturers of industrial submersible and vac-prime self-priming dewatering pumps. Our pumps have been specifically developed for use in the toughest and most abrasive of applications and environments. Trusted by operators of quarries, mines and recycling facilities, Audex pumps represent quality and reliability giving you superior performance and reduced downtime. Pumps that suit your application better because they have been designed with your industry in mind.

Audex pumps are available in a range of sizes from 2" to 10" discharge, these robust pumps feature heavy-duty cast bodies, oversize shaft and bearings, hardened impellers and nitrile-lined diffusers and wear plates to maximize wear life when pumping abrasive liquids. Polyurethane lined diffuser and wear plates are available for extreme wear applications and the pumps are available in high head and stainless steel variants.

The submersible range of pumps are available with a seal fail detector system which monitors moisture levels and shuts down the pump in the event of seal wear or failure. This avoids costly rewinds and allows for a quick parts replacement without a costly full pump rebuild. Audex pumps also allow you to adjust the diffuser to compensate for wear.

Audex also manufacture a range of pontoons to mount our pumps on when installing in a lagoon, and discharge units to monitor site discharge. All this adds to up to increased pump life and less pump related down-time even in the most stringent environments.