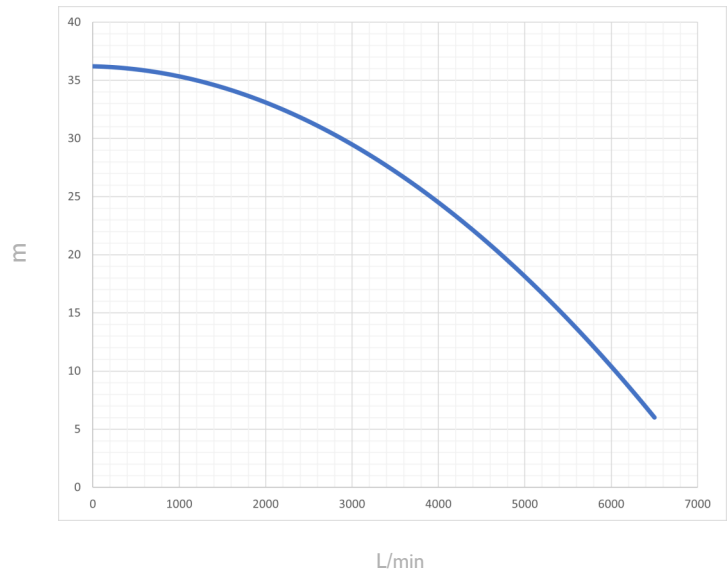




Pump Curve



Overview

- Heavy duty cast iron submersible slurry pump
- High chrome impeller, wear plate and agitator
- Agitator assists smooth suction of the pumped fluid, and helps prevent solids build up around the pump suction.
- The side-flow top-discharge design keeps the motor cool, even when the pump is operated continuously with its motor out of the water, which means that the continuous running level is very low.
- This pump is suitable for transferring or draining drilling mud, draining dirty water in civil engineering works, foundations, etc.
- Thermally protected motor when used with approved control panel
- Approved control panel recommended
- Available with bare end or plug

Applications

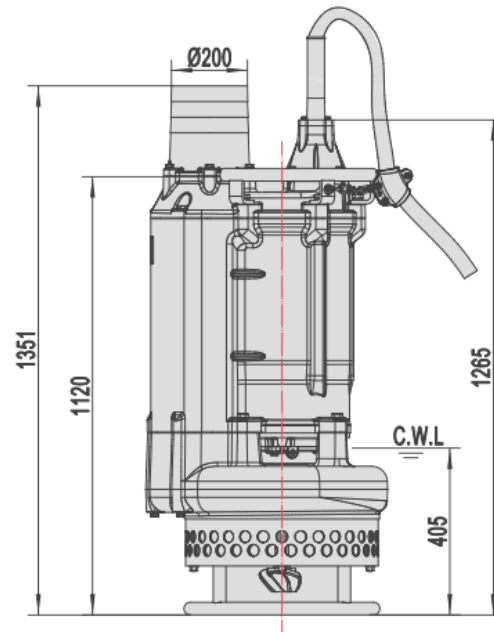
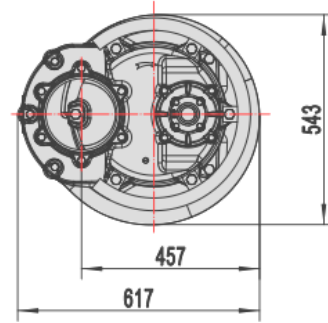
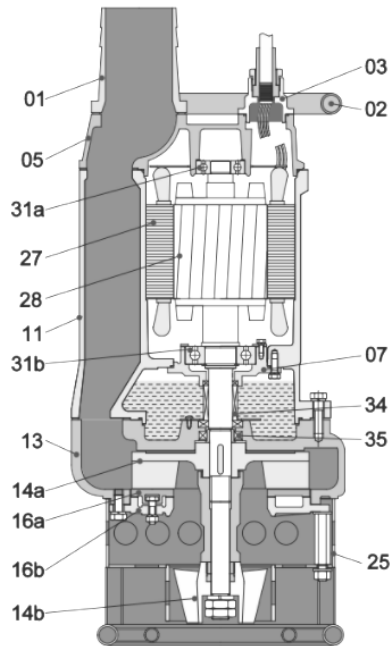
- Mine & quarry dewatering of silty water
- Light slurry transfer
- Recycled water transfer
- Effluent return
- Civil engineering

About Audex

Audex are respected manufacturers of industrial submersible and vac-prime self-priming dewatering pumps. Our pumps have been specifically developed for use in the toughest and most abrasive of applications and environments. Trusted by operators of quarries, mines and recycling facilities, Audex pumps represent quality and reliability giving you superior performance and reduced downtime. Pumps that suit your application better because they have been designed with your industry in mind.

Specification

Model	AW 8-3000 TC
Outlet	200mm
	8"
Hertz	50
Volts	415
Motor Power	30kW
	40HP
Max Head	37m
Max Capacity	390m ³ /h
	6.5m ³ /min
Rated Current (380V)	57.6A
Impeller Passage	30mm
Max Water Temperature	40°C
Cable Length	20m
Starting Method	DOL
Net Weight (N.W)	510 kg
Gross Weight (G.W)	TBC kg
Dimensions	1351 x 617 x 543 mm
Product Code	P18369



Materials of Construction

Item No.	Part Name	Material
1	Hose coupling	Cast iron
2	Handle	Steel
5	Upper cover	Cast iron
7	Bearing house	Cast iron
11	Motor body	Cast iron
13	Pump body	Cast iron
14a	Impeller	High chrome alloy
14b	Agitator	High chrome alloy
16a	Inlet plate	High chrome alloy
16b	Inlet plate	Cast iron
25	Strainer	Steel
27	Stator	
28	Rotor	Shaft: AISI420SS
31a	Bearing	Ball bearing
31b	Bearing	Ball bearing
34	Mechanical seal	Sic-Sic/Sic-Sic Tc-Sic/Sic-Sic(≥15kW)
35	Oil seal	
47	Cable	