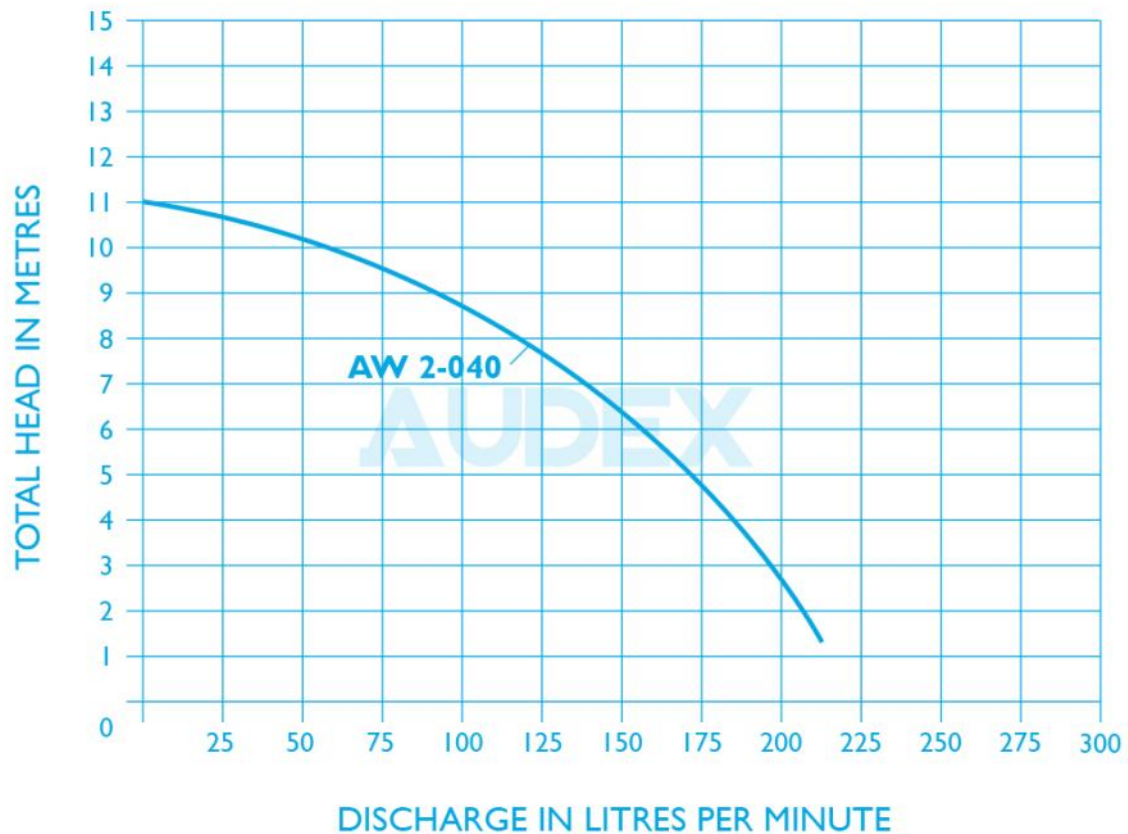




AUDEX AW 2-040 2" Submersible Dewatering Pump

- Semi Vortex impeller design minimises the clogging situation for maximum durability and maintaining pump performance.
- Built in shaft mounted agitator prevents the "air lock" and reduces the clogging situation.
- Discharge: 50mm (2") Motor 0.4kW (0.55HP)

Audex are respected manufacturers of industrial submersible and vac-prime self-priming dewatering pumps. Our pumps have been specifically developed for use in the toughest and most abrasive of applications and environments. Trusted by operators of quarries, mines and recycling facilities, Audex pumps represent quality and reliability giving you superior performance and reduced downtime. Pumps that suit your application better because they have been designed with your industry in mind.



Audex - Designed with your industry in mind

NOTE This information is for guidance / reference only.

For application specific drawings and curves, please contact your nearest authorised distributor at audexpumps.com 06.04.18

AUDEX AW 2-040

Specification

Water temperature: up to 40°C
 PH: 6.5 to 8.5
 Head: up to 12 metres
 Capacity up to 12.5m³/hr
 Power: 0.4kW (0.55HP)
 Power supply: Single phase 220V±10%, 50Hz
 Three phase 380V±10%, 50Hz
 Insulation class: F
 Protection class: IP68
 Cable length: 8m
 Max. water depth: 10m

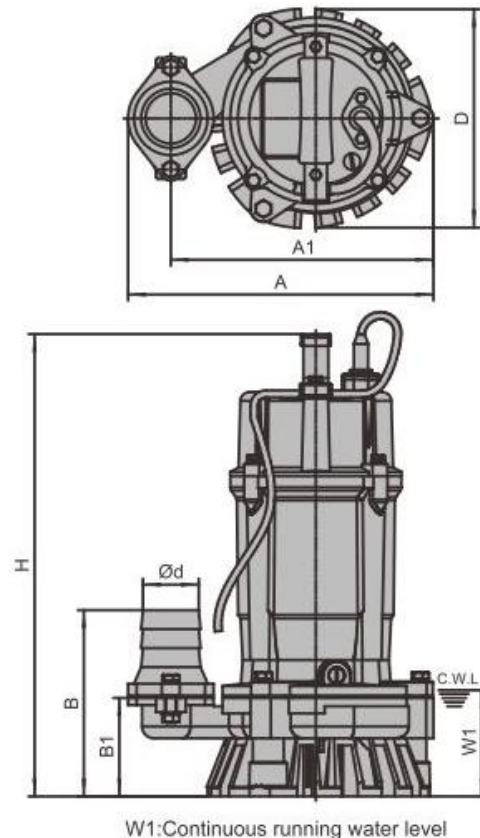
Applications

Civil engineering
 Building sites
 Basements or other utility pits
 Rainwater
 Mud water and high-viscosity fluid

Special features on Request

Other voltages

Dimensions



D	50mm
A	237mm
A1	201mm
B	157mm
B1	84mm
D	185mm
H	365mm
W1	85mm
N.W	13.5Kg
G.W	14.5Kg

Packing dimension
 405 x 255 x 255mm

Audex - Designed with your industry in mind

NOTE This information is for guidance / reference only.

For application specific drawings and curves, please contact your nearest authorised distributor at audexpumps.com 06.04.18