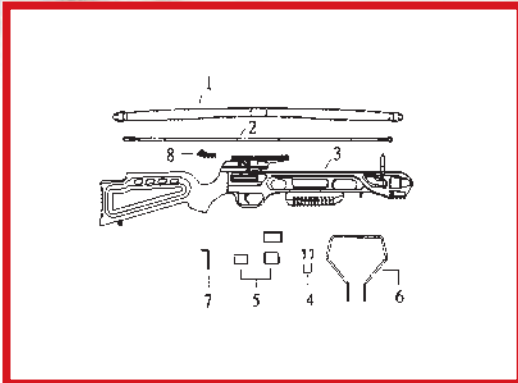


RECURVE CROSSBOW

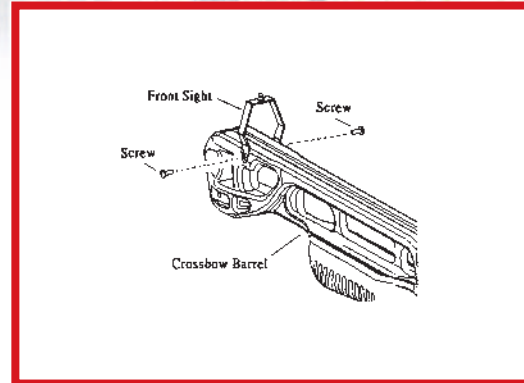
INSTRUCTION MANUAL



The Crossbow Includes:

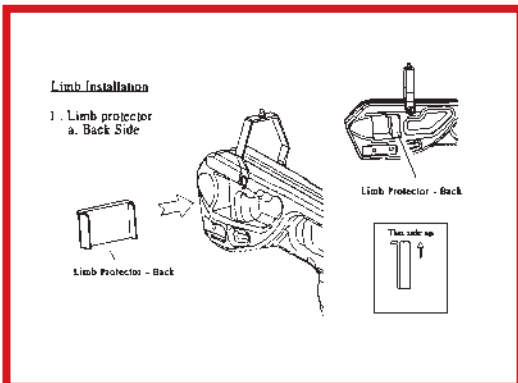
- | | |
|--------------------|-------------------------------------|
| 1. Fiberglass Limb | 5. Press Pads |
| 2. String | 6. Foot Stirrup |
| 3. Crossbow Body | 7. Allen Wrench |
| 4. Mounting Screws | 8. Peep Sight/ Red Sight(optional) |

Screw Driver Needed for Assembly Not Included



Step 1.

With a screw driver , attach sight.

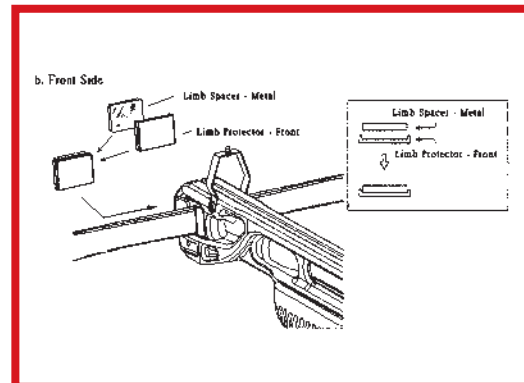


Step 2.

Insert the assembled press pads in the front of the barrel.

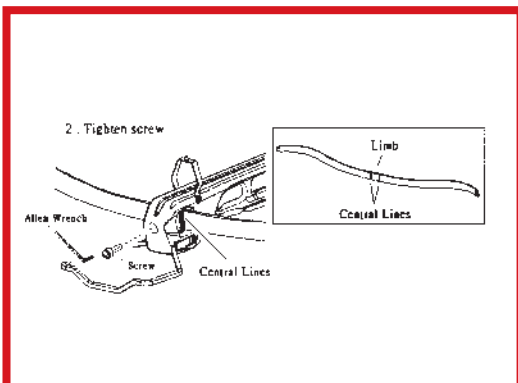
Step 3.

Assemble the press pads.



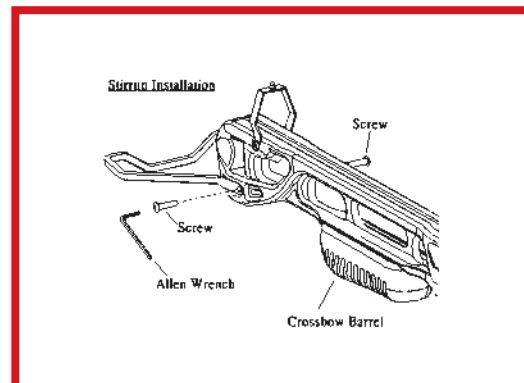
Step 4.

Load the limb properly through the front of the barrel.



Step 5.

When the limb and press pads has been correctly installed, secure both parts with the screw in front of the barrel and tighten securely with Allen key.

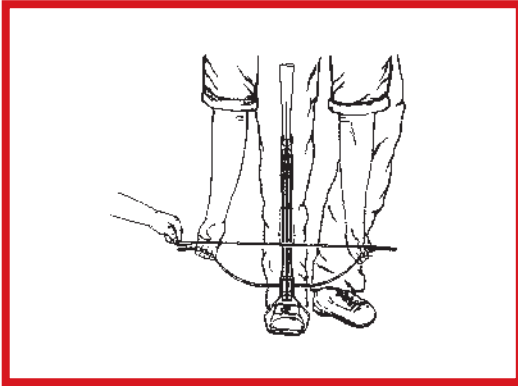


Step 6.

Put the gap side of the foot stirrup in to the hexagon holes provided in the front of the bow unit, tighten the screws with Allen key. Make sure that the foot stirrup is secured before cocking the bow for your own safety.

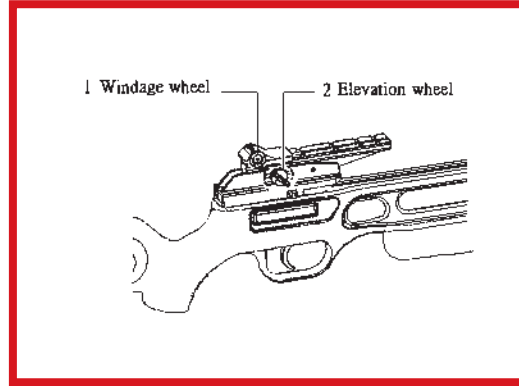
RECURVE CROSSBOW

INSTRUCTION MANUAL



Step 7.

Please Refer to Instruction Manual 1B to Install String.

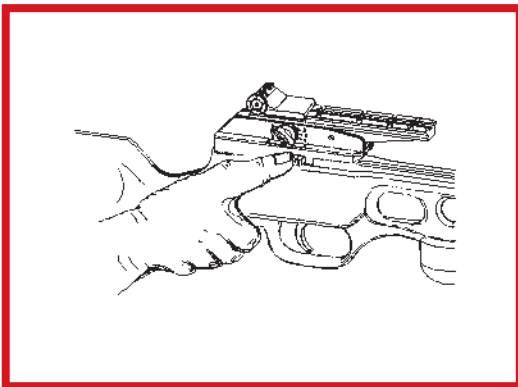


Step 8.

Slide the peep sight into the rail mount.

Step 9.

When bolt striking high, adjust the elevation wheel counter-clockwise. When bolt striking low, adjust the elevation wheel clockwise. Please use the same method for left and right on the windage wheel.



Step 10.

The safety lever is automatically engaged when the string is properly cocked in the safe position.

Step 11.

Switch to fire position when you intend to shoot.

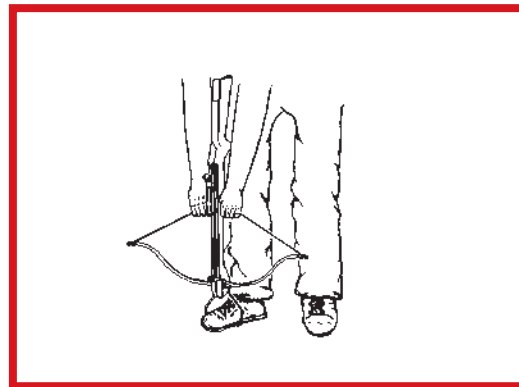


Figure 12.

Place your foot securely through the foot stirrup. Reach over the top of the stock and grasp the string with equally power on each hand next to both sides of the barrel. Pull the string back by standing straight until you hear a click in the trigger mechanism. The safety switch should be closed automatically. Keeping a firm hold on the string, let down slowly until you are sure that the string is held securely by the release mechanism.

For your safety:

Do not aim at anything, cock or load your crossbow until you intend to shoot.

You should only shoot with proper bolts.

Never dry fire the crossbow as it could damage the crossbow. Using an underweight bolt could simulate a dry fire.

Discontinue use if the crossbow becomes damaged.

Always use the proper spine and mass weight bolts for your crossbow.

This crossbow is to be used with a qualified archer or contact a qualified archery dealer.

It is recommended to lube wax your string every 5-10 shots and replace your string at least once every year or if it becomes frayed.

Caution:

Not a toy adult supervision required. Misuse or careless use may cause serious injury .

Effective shooting range could by up to 1.10 yards

This is a high power crossbow intended to be used by those who are 18 or over 18 years of age.

Please read all the instructions carefully before using.

Purchasers and users should confirm to government laws and the restriction to the ownership of crossbow.