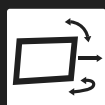


CAFP7FM TV Wall Mount



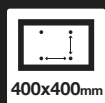
Full Motion

This TV Wall Mount allows you to move your TV up, down, left and right and extends up to 346mm from the wall



Compatible TV Size

This TV Wall Mount fits 17–55” (38–119cm) TV Screens



Maximum Mounting Pattern

This TV Wall Mount has a mounting hole pattern up to 400x400mm (HxW)



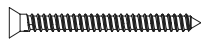



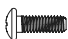






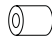

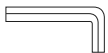

Maximum TV Weight

This TV Wall Mount supports TVs weighing up to 25kg

! SAFETY FIRST

1. Installation of this TV Wall Mount will be easier with two people.
2. Some images in this guide may vary slightly from the actual components supplied.
3. Ensure this instruction manual is completely read and understood before attempting installation.
4. This TV Wall Mount **MUST NOT** be installed solely in plasterboard, fibre cement and similar surfaces.
5. This TV Wall Mount **MUST** be installed in sound supporting structures such as those made of timber, steel or masonry using appropriate fasteners.
6. The supporting structure must be capable of sustaining the combined weight of the TV Wall Mount and the display otherwise the structure must be reinforced.
7. The fasteners supplied in this hardware pack allow for fixing into timber and masonry only. If installing into a supporting structure made of steel, appropriate fasteners must be used and sourced from an appropriate supplier.
8. Use appropriate tools and safety equipment and ensure adequate ventilation during installation.
9. If uncertain about any aspect of installation, contact The Crest Company or an installation professional.
10. Please retain these instructions for future reference.

Hardware Kit Contents

ITEM	DESCRIPTION		QTY	ITEM	DESCRIPTION		QTY
A	Drywall Screw		3	I	M6 x 30mm Bolt		4
B	Concrete Anchor		3	J	M8 x 12mm Bolt		4
C	M6 x 16mm Bolt		8	K	M8 x 30mm Bolt		4
D	M6 Locknut		8	L	M6 Washer		4
E	M6 x 16mm Washer		8	M	M8 Washer		4
F	M4 x 12mm Bolt		4	N	Spacer		8
G	M4 x 20mm Bolt		4	O	S8 Allen Key		1
H	M6 x 12mm Bolt		4				

Tools Required

DRYWALL INSTALLATION (TIMBER SUPPORTS):

- Adjustable spanner/socket set
- Philips head screwdriver
- Power drill
- High speed 3mm drill bit
- Stud finder and spirit level
- Pencil

MASONRY INSTALLATION:

- Adjustable spanner/socket set
- Philips head screwdriver
- Power drill with hammer function
- 8mm masonry drill bit
- Spirit level
- Pencil

Step 1: Fix Wall Plate to Wall

A. INSTALLING IN DRYWALL (TIMBER SUPPORTS)

WARNING: If attaching this TV Wall Mount using this method, you MUST position the wall plate over a wall stud. The Crest Company will not accept any damages that may occur and holds no responsibility for incorrectly installed TV Wall Mounts.

1. Locate centre of timber studs using a stud finder.
(NOTE: You must use the centre of the stud to avoid cracking or splitting the timber during installation).
2. Mark 3 fixing holes over stud centres using the Wall Plate as guide (see Figure 1). Ensure Wall Plate is straight and level using a spirit level.
3. Pre-drill holes to a depth of 50mm using a high speed 3mm drill bit. If installing in hardwood, larger diameter and deeper holes may be required.
4. Attach the Wall Plate using the drywall screws (A) provided (see Figure 2). Do not over tighten.

B. INSTALLING IN MASONRY

WARNING: Ensure you have a minimum of 35mm of actual concrete/brick thickness in the hole for the anchors. Do not drill into mortar joints. Installer must verify that the supporting surface will safely support the combined weight of the TV Wall Mount and TV. The Crest Company holds no responsibility for incorrectly installed TV Wall Mounts.

1. Mark 3 fixing holes using the Wall Plate as a guide (see Figure 3). Ensure Wall Plate is straight and level using a spirit level.
2. Pre-drill holes to a minimum depth of 60mm using 8mm masonry drill bit. Clean out holes.
3. Fully insert the concrete anchors (B). Tap in with hammer if required.
4. Attach the Wall Plate using drywall screws (A) provided. Do not over tighten.

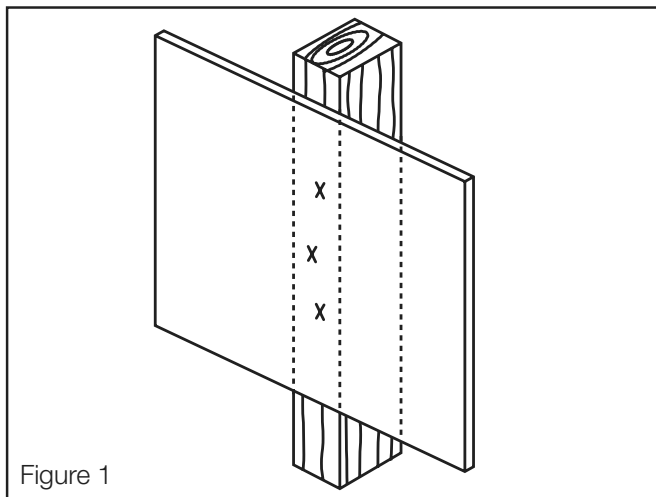


Figure 1

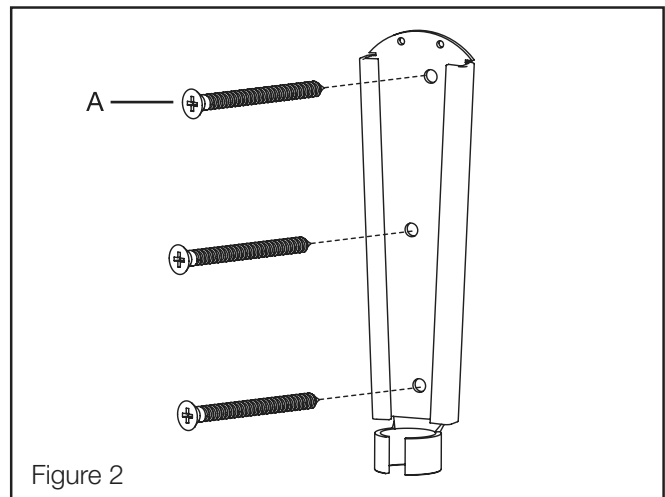


Figure 2

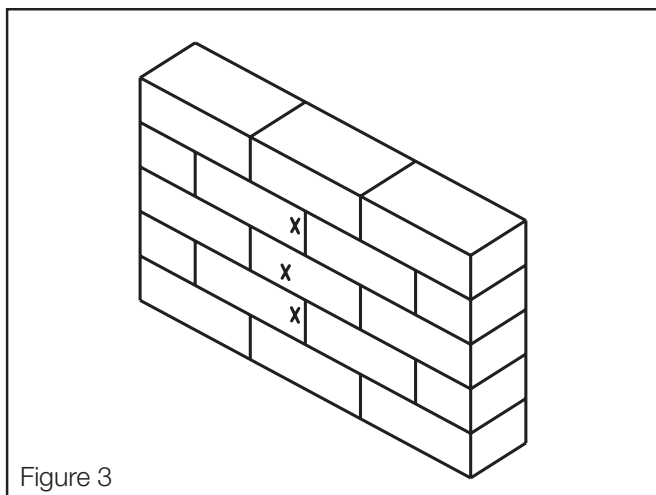


Figure 3

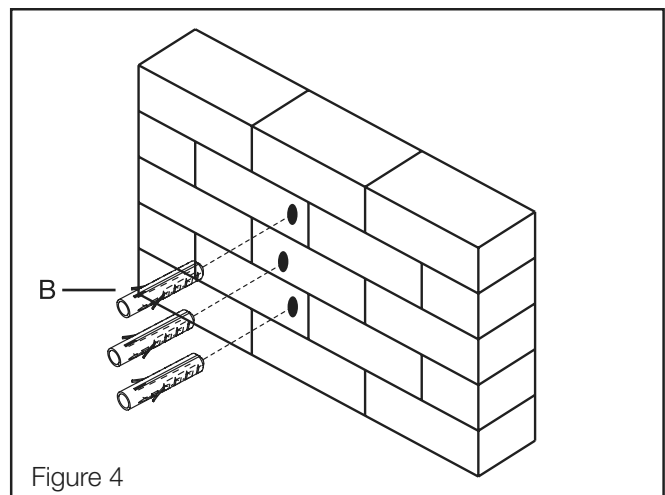


Figure 4

Step 2: Attach Mounting Arm to TV

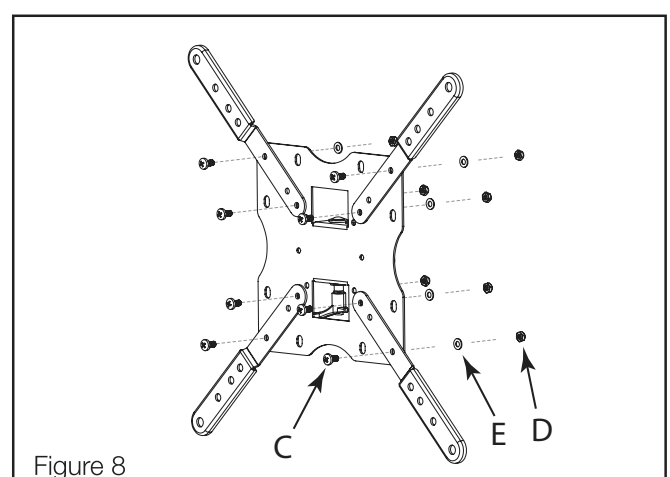
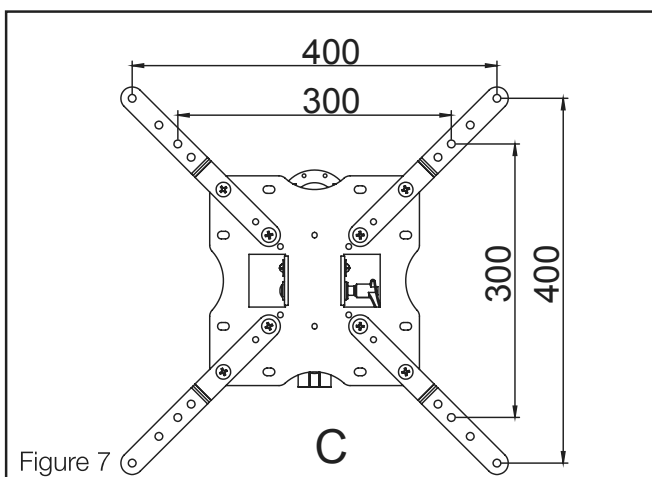
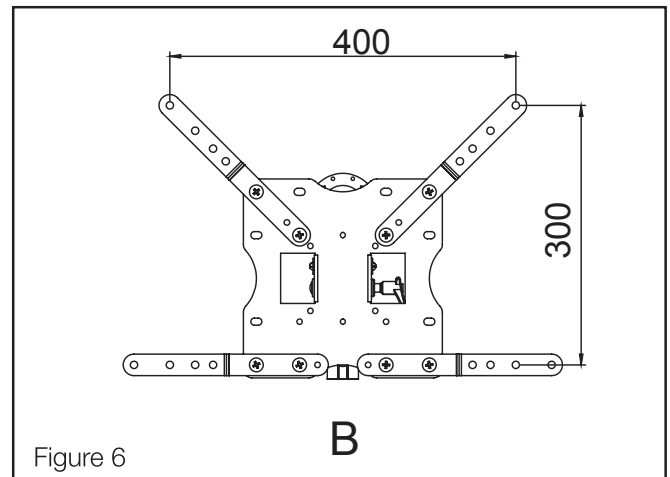
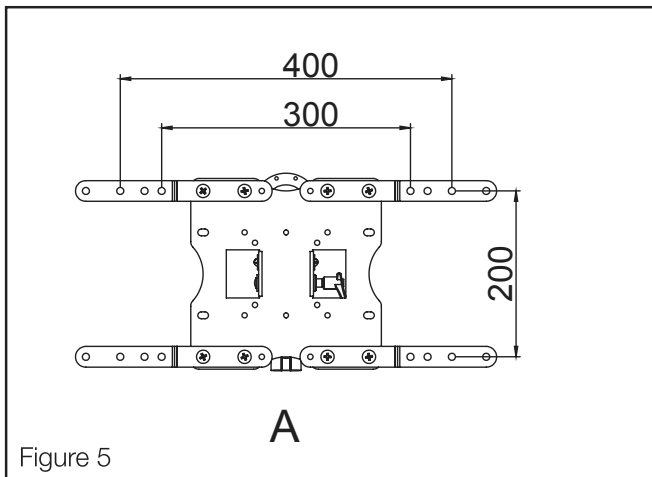
- Using a second person for assistance, lay your TV face down on something soft so as not to scratch the TV screen.
- Check the back of your TV to find the appropriate mounting pattern. If the mounting holes are spaced 75mm x 75mm, 100mm x 100mm, 200mm x 100mm, or 200mm x 200mm apart, proceed with step 5.
- If the mounting holes are spaced more than 200mm x 200mm apart, check the chart and illustrations below to determine the correct orientation for attaching the adaptor plates to the mount (see Figures 5-7).
- Attach the adaptor plates to the mount using the M6 x 16 screws (C), M6 locknuts (D), and M6 x 16 washers (E) (see Figure 8).
- Sort through the provided bolts (F to K) until you find the correct size that easily fits into the back of your TV and fits snugly (the bolt must turn at least 3 full turns, do not tighten). If you feel resistance stop immediately and select a smaller bolt.

The Crest Company is not responsible for any damage caused by screwing the bolt too far into the back of the TV.

Once you have selected the correct bolts, find the corresponding washers (L-M). If no bolts fit you will need to go to your local hardware supplier to find the correct bolt and washer sizes.

- Lift the TV and align with the mounting pattern to the holes on the mounting arm.
- Using the correct mounting bolt size and length, insert these through corresponding washers (L-M) to attach mounting Wall Plate to the rear of the TV (see Figure 9-10). To avoid damaging TV, do not over tighten bolts.
- If the back of your TV is curved or recessed you will need to use a small spacer or more (N) to clear the space. If using spacers you will now need to use longer screws. Remember that the bolt needs to turn at least 3 full turns.

Mounting Pattern (W x H)	Illustration
300 mm x 200 mm	A
400 mm x 200mm	A
400 mm x 300mm	B
300 mm x 300mm	C
400 mm x 400mm	C



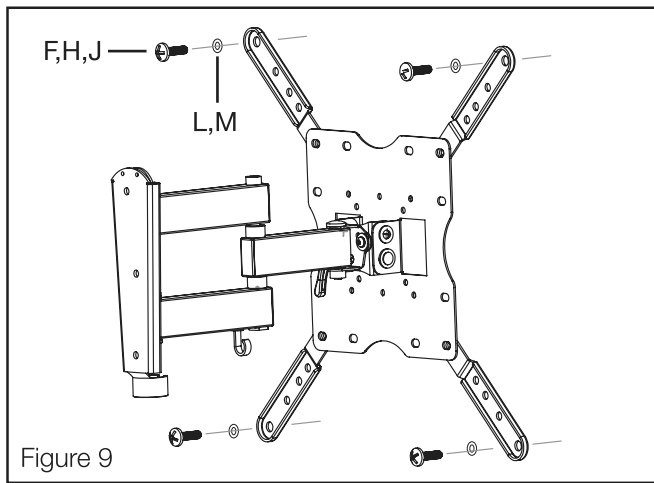


Figure 9

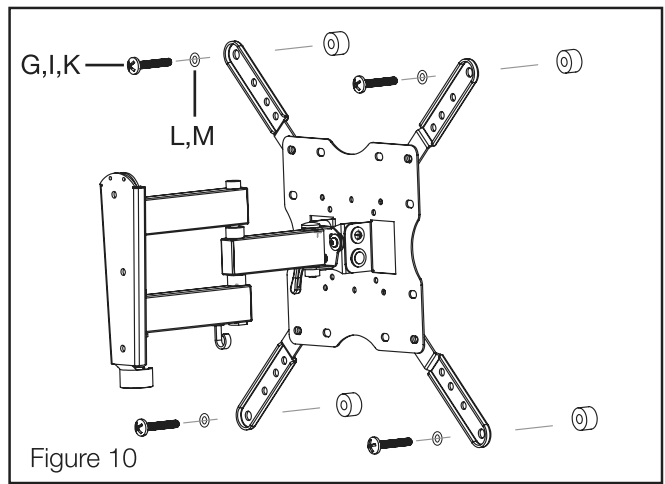


Figure 10

Step 3: Hook TV Wall Mount to Wall Plate

1. Using a second person for assistance, carefully slide the mount with your TV attached into the Wall Plate (see Figure 11).
2. If you need to remove the TV from the wall, carefully slide the mount upwards and out of the Wall Plate.
3. Cables can be routed through the hooks located on the mount and at the bottom of the Wall Plate.

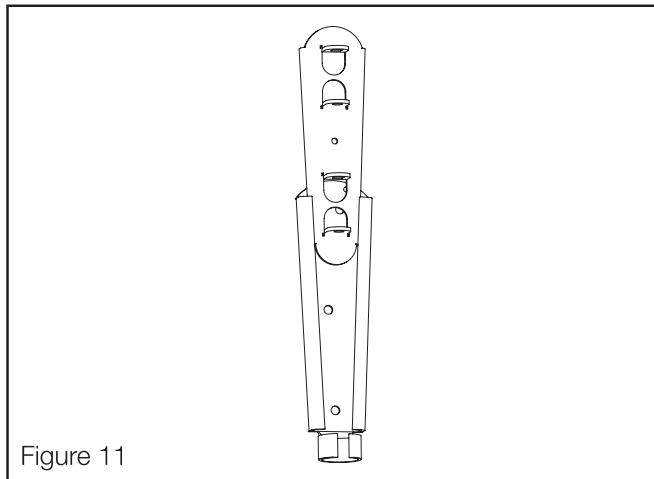


Figure 11

Step 4: Tilt Adjustment & Maintenance

1. Use the tilt adjusting knob behind the back of the Wall Plate to adjust your TV to the desired viewing angle.
2. If your Wall Mount is too loose and moves around too easily or vice versa (too tight) please use provided Allen Key (O) to tighten or loosen as required. **WARNING: Do not loosen too much as the Wall Mount may fall apart.**

Check your TV Wall Mount is secure and safe to use at regular intervals (at least every three months).

5 YEAR WARRANTY

Olbertz Holdings Pty Ltd ACN 010 003 933 trading as The Crest Company of 165 South Pine Road, Brendale, Queensland, 4500, Ph: 1800 812 261, www.crest.com.au, warrants that if this Crest product purchased by you from The Crest Company or a retail outlet is found by The Crest Company to be defective in workmanship or materials within 5 years of the date of purchase, The Crest Company will (at its election) either repair that product, replace the product, supply an equivalent product or pay the costs of repairing or replacing the product or acquiring an equivalent product.

This limited warranty will not extend to or cover any expenses associated with removing, demounting the original product or installing the repaired, replaced or equivalent product or all or any of its components, you must bear these expenses. It also does not cover damage or loss resulting from intentional or unintentional misuse of, tampering with, alterations to or incorrect installation of this product or use of this product for purposes other than that for which it is designed or in a manner inconsistent with the product's instructions. This limited warranty also does not apply to damage or loss resulting from fair wear and tear or events beyond The Crest Company control including but not limited to natural disasters.

In order to claim under this warranty, you must contact The Crest Company and return to The Crest Company (via our nominated reply paid address) the product and its components and proof of purchase (including the date and location of purchase) so that The Crest Company can verify the defect and your purchase.

Our goods come with guarantees that cannot be excluded under the Australian Consumer Law. You are entitled to a replacement or refund for a major failure and compensation for any other reasonably foreseeable loss or damage. You are also entitled to have the goods repaired or replaced if the goods fail to be of acceptable quality and the failure does not amount to a major failure. The benefits given by this warranty are in addition to other rights and remedies which you may have under a law in relation to the goods or services to which the warranty relates.

Proudly brought to you by:



PO Box 5658 Brendale
QLD Australia 4500

Customer Support
1800 812 261
www.crest.com.au

AUSTRALIAN OWNED