

BRBTXL TILT Extra Strong TV WALL MOUNT

37"-98" MEDIUM-LARGE

**600 x 400 MAX
VESA COMPATIBILITY**

200x200,300x300,400x200,400x400,
600x400,

**85kg MAX
TV WEIGHT**

The maximum supported
weight is up to 85kg



SAFETY FIRST

1. Installation of this TV Wall Mount will be easier with two people.
2. Some images in this guide may vary slightly from the actual components supplied.
3. Ensure this instruction manual is completely read and understood before attempting installation.
4. This TV Wall Mount **MUST NOT** be installed solely in plasterboard, fibre cement and similar surfaces.
5. This TV Wall Mount **MUST** be installed in sound supporting structures such as those made of timber, steel or masonry using appropriate fasteners.
6. The supporting structure must be capable of sustaining the combined weight of the TV Wall Mount and the display otherwise the structure must be reinforced.
7. The fasteners supplied in this hardware pack allow for fixing into timber and masonry only. If installing into a supporting structure made of steel, appropriate fasteners must be used and sourced from an appropriate supplier.
8. Use appropriate tools and safety equipment and ensure adequate ventilation during installation.
9. If uncertain about any aspect of installation, contact The Crest Company or an installation professional.
10. Please retain these instructions for future reference.

Hardware Kit Contents

ITEM	DESCRIPTION	QTY	ITEM	DESCRIPTION	QTY
M-A	M5 x 14mm Bolt	4	W-A	6.3 x 55mm Lag Bolt	4
M-B	M6 x 14mm Bolt	4	W-B	10 x 6 x 50mm Anchor	4
M-C	M6 x 30mm Bolt	4	W-C	6 x 16 x 1.5mm Washer	4
M-D	M8 x 30mm Bolt	4	A	Spirit Level	1
M-E	M8 x 50mm Bolt	4	B	Wall Plate	1
M-F	Multi-washer	4	C	Mounting Arm	1
M-G	Small Spacer	8	D	Mounting Arm	1
M-H	Large Spacer	8			

Tools Required

DRYWALL INSTALLATION (TIMBER SUPPORTS):

- Adjustable spanner/socket set
- Long Handled Philips head screwdriver
- Power drill
- High speed 4.5mm drill bit
- Stud finder
- Spirit level and pencil

MASONRY INSTALLATION:

- Adjustable spanner/socket set
- Philips head screwdriver
- Power drill with hammer function
- 10mm Masonry drill bit
- Spirit level and pencil
- Hammer

5 YEAR WARRANTY

Olbertz Holdings Pty Ltd ACN 010 003 933 trading as The Crest Company of 165 South Pine Road, Brendale, Queensland, 4500, Ph: 1800 812 261, www.crest.com.au, warrants that if this Crest product purchased by you from The Crest Company or a retail outlet is found by The Crest Company to be defective in workmanship or materials within 5 years of the date of purchase, The Crest Company will (at its election) either repair that product, replace the product, supply an equivalent product or pay the costs of repairing or replacing the product or acquiring an equivalent product.

This limited warranty will not extend to or cover any expenses associated with removing, demounting the original product or installing the repaired, replaced or equivalent product or all or any of its components, you must bear these expenses. It also does not cover damage or loss resulting from intentional or unintentional misuse of, tampering with, alterations to or incorrect installation of this product or use of this product for purposes other than that for which it is designed or in a manner inconsistent with the product's instructions. This limited warranty also does not apply to damage or loss resulting from fair wear and tear or events beyond The Crest Company control including but not limited to natural disasters.

In order to claim under this warranty, you must contact The Crest Company and return to The Crest Company (via our nominated reply paid address) the product and its components and proof of purchase (including the date and location of purchase) so that The Crest Company can verify the defect and your purchase.

Our goods come with guarantees that cannot be excluded under the Australian Consumer Law. You are entitled to a replacement or refund for a major failure and compensation for any other reasonably foreseeable loss or damage. You are also entitled to have the goods repaired or replaced if the goods fail to be of acceptable quality and the failure does not amount to a major failure. The benefits given by this warranty are in addition to other rights and remedies which you may have under a law in relation to the goods or services to which the warranty relates.

Proudly brought to you by:



PO Box 5658 Brendale
QLD Australia 4500

Customer Support
1800 812 261
www.crest.com.au

AUSTRALIAN OWNED

crest

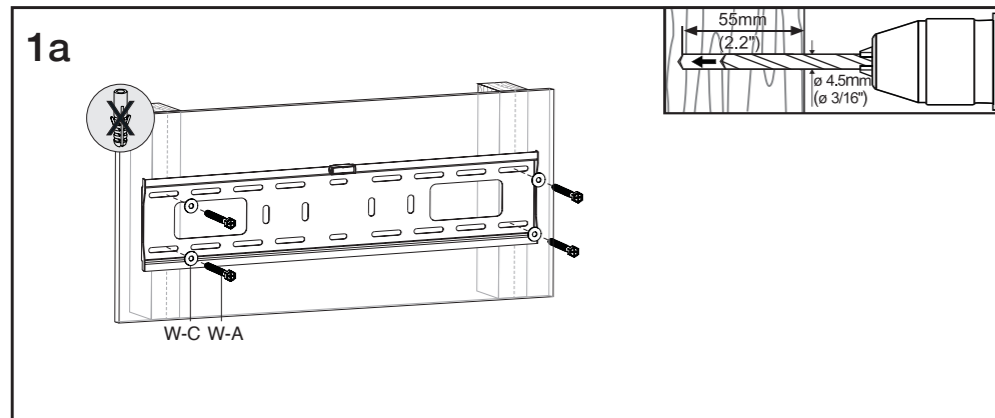
Step 1: Attach Wall Plate to Wall

A. INSTALLING IN DRYWALL (TIMBER SUPPORTS)

WARNING: If attaching this TV Wall Mount using this method, you **MUST** centre the wall plate across 2 wall studs. Wall studs can be 450mm or 600mm apart depending upon the position of the wall and the geographical state you live in. The Crest Company will not accept any damages that may occur if only 1 stud is used.

The Crest Company holds no responsibility for incorrectly installed TV Wall Mounts.

1. Locate the centre of two adjacent timber studs using a stud finder
(NOTE: You must use the centre of the stud to avoid cracking or splitting the timber during installation).
2. Mark a minimum of 4 fixing holes over stud centres using the wall plate as a guide - position 2 at either end of the Wall Plate. Ensure plate is level.
3. Pre-drill holes to a minimum depth of 55mm using a high speed 4.5mm drill bit. If installing in hardwood, larger diameter and deeper holes may be required.
4. Attach the wall plate (B) using the lag bolts (W-A) through the washers (W-C). Do not over tighten.

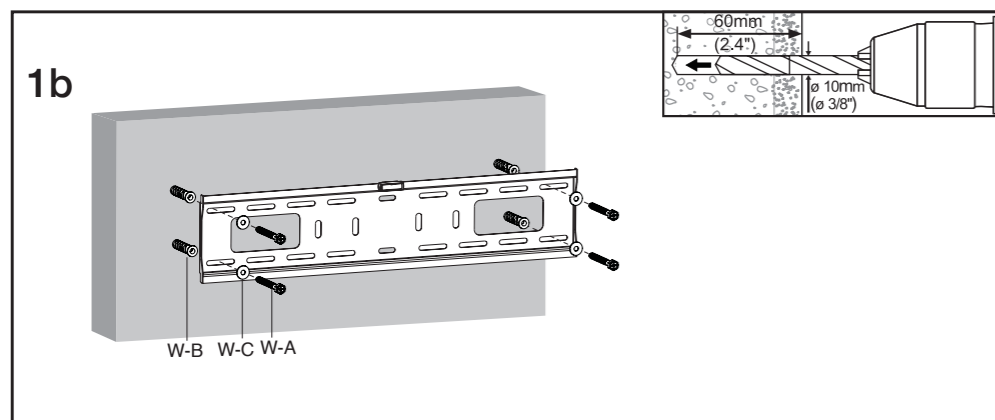


B. INSTALLING IN MASONRY

WARNING: Ensure you have a minimum of 35mm of actual concrete/brick thickness in the hole for the anchors. Do not drill into mortar joints. Installer must verify that the supporting surface will safely support the combined weight of the TV Wall Mount and TV.

The Crest Company holds no responsibility for incorrectly installed TV Wall Mounts.

1. Mark a minimum of four fixing holes using the Wall Plate as a guide - position 2 at either end of the Wall Plate. Ensure plate is level.
2. Pre-drill holes to a minimum depth of 60mm using 10mm masonry drill bit. Clean out holes.
3. Fully insert concrete anchors (W-B). Tap in with hammer if required.
4. Attach wall plate (B) by inserting the lag bolts (W-A) through the washers (W-C) into each concrete anchor (W-B). Do not over tighten.

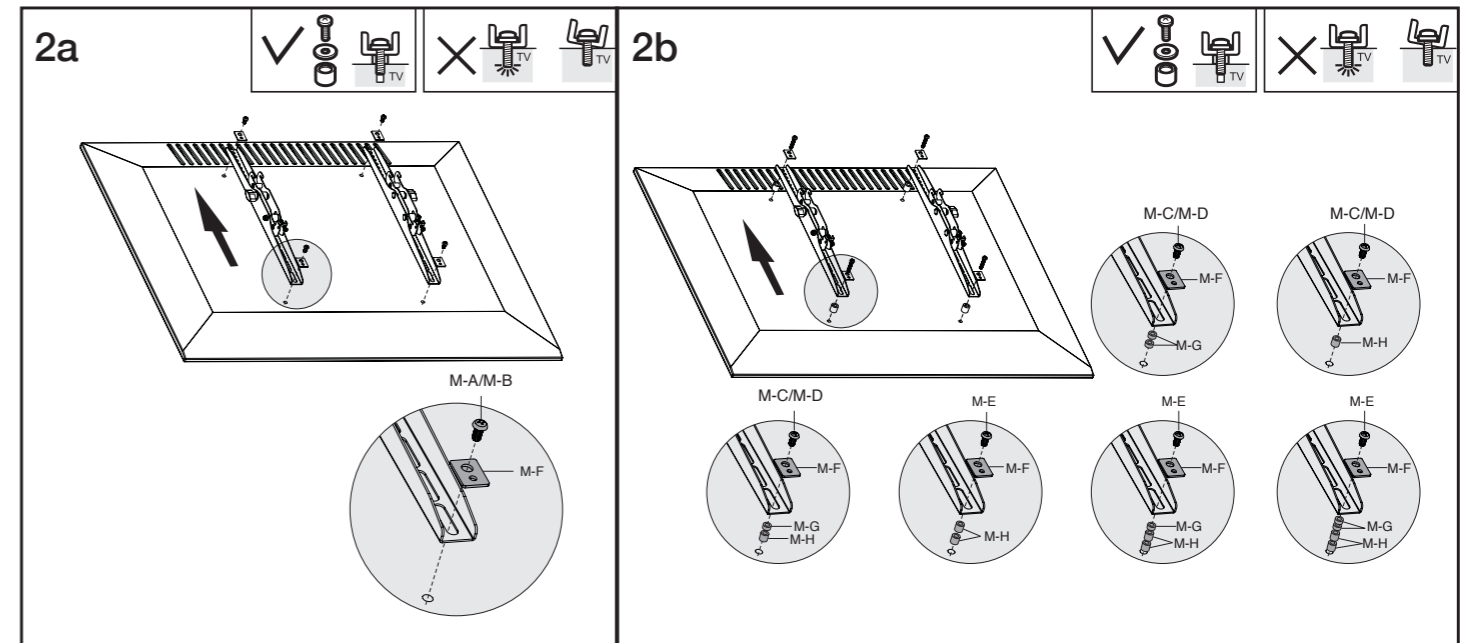


Step 2: Attach Mounting Arms to TV

The Crest Company endeavours to provide the correct sized bolts required to mount the arms to the back of the TV, however this may not be possible for all TV models. If this is the case please purchase the correct sized bolts from your local hardware.

1. Using a second person for assistance, lay your TV face down on something soft so as not to scratch the TV screen.
Check the back of your TV to find the appropriate mounting pattern.
2. Sort through the provided bolts (M-A to M-E) until you find the correct size that easily fits into the back of your TV and fits snugly (the bolt must turn at least 3 full turns, do not tighten). If you feel resistance stop immediately and select a smaller bolt.
3. Once you have selected the correct bolt size, use the multi-washer (M-F). If no bolts fit you will need to go to your local hardware supplier to find the correct bolt and washer sizes.

4. Gently put your mounting arms on the back of the TV so that the mounting holes are showing through the holes of the mounting arms.
If the back of your TV is curved or recessed you will also need to use a spacer (M-G or M-H) depending upon the amount of space you are trying to clear. If using a spacer you will also need to use longer screws. Remember that the bolt needs to turn at least 3 full turns.
5. Using the correct mounting bolt size and length, insert these through the corresponding hole on the washer (M-F) to attach mounting arms to the rear of the TV. To avoid damaging TV, do not over tighten bolts.
The Crest Company is not responsible for any damage caused by screwing the bolt too far into the back of the TV.



Step 3: Hook Arms Over Wall Plate

1. Using a second person for assistance, carefully lift the TV and hook arms over the top of the wall plate.
2. Slowly lower the bottom of the TV until the bottom of the mounting arm locks into the bottom of the wall plate.
3. Once your TV is in place close the lock at the bottom of the mounting arms and tighten with a long handled screw driver.
This will help ensure that your TV does not fall off your wall plate during use.
4. To remove the TV from the wall plate, loosen the screws at the bottom of the mounting arms which will release the mounting arms. Pull the bottom of the TV slightly towards you and then lift the TV from the wall plate.
5. Tighten nuts and bolts as required.
6. TV can be tilted forward as desired by loosening the control on the side of the mounting arms.
Check your TV Wall Mount is secure and safe to use at regular intervals (at least every three months).

