

# BRBWS

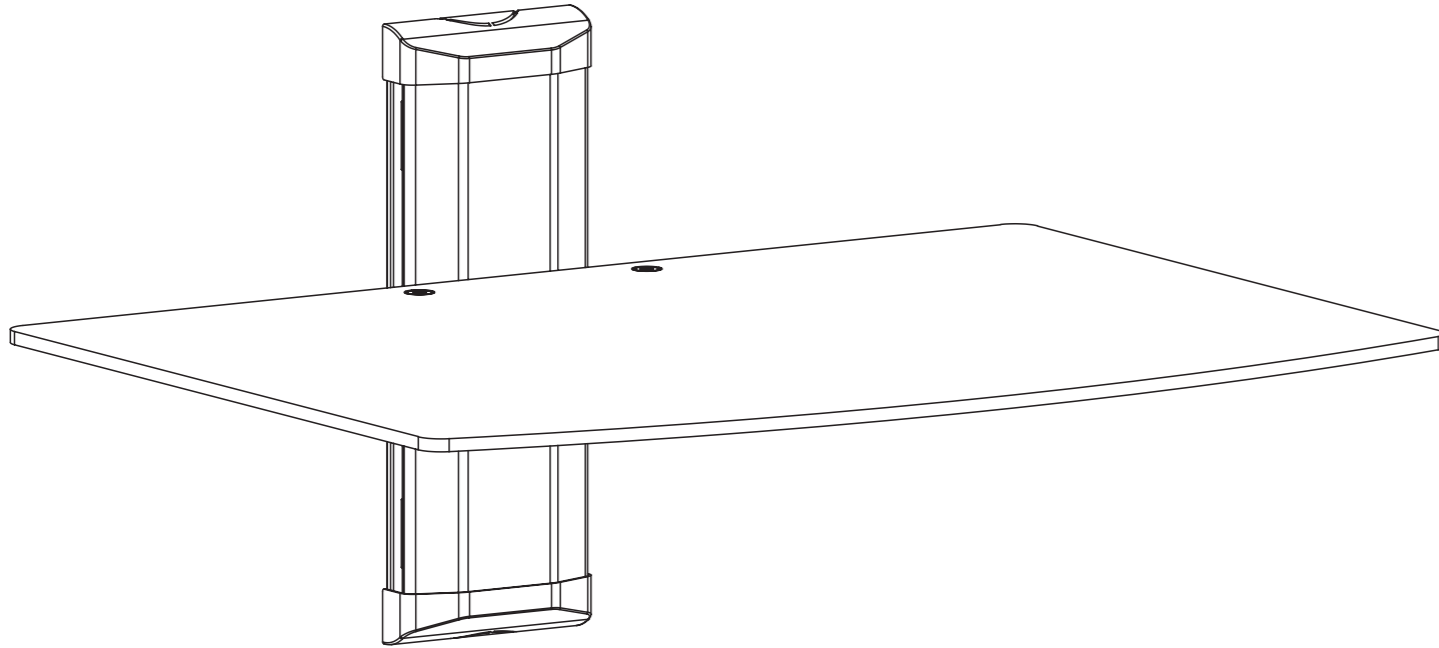
Universal

## AV WALL SHELF

SAVE LOUNGE SPACE

**8kg MAX  
TV WEIGHT**

The maximum supported weight is up to 8kg



### ⚠ SAFETY FIRST

1. Some images in this guide may vary slightly from the actual components supplied.
2. Ensure this instruction manual is completely read and understood before attempting installation.
3. This AV Shelf MUST NOT be installed solely in plasterboard, fibre cement and similar surfaces.
4. This AV Shelf MUST be installed in sound supporting structures such as those made of timber, steel or masonry using appropriate fasteners.
5. The supporting structure must be capable of sustaining the combined weight of the AV Shelf and the display otherwise the structure must be reinforced.
6. The fasteners supplied in this hardware pack allow for fixing into timber and masonry only. If installing into a supporting structure made of steel, appropriate fasteners must be used and sourced from an appropriate supplier.
7. Use appropriate tools and safety equipment and ensure adequate ventilation during installation.
8. If uncertain about any aspect of installation, contact The Crest Company or an installation professional.
9. Please retain these instructions for future reference.

### Hardware Kit Contents

ITEM	DESCRIPTION	QTY	ITEM	DESCRIPTION	QTY
A	Glass Shelf	1	G	Bracket	1
B	Wall Plate	1	H	Allen Key	1
C	Shelf Base	1	I	Pads	2
D	Screw	2	W-A	Lag Bolt	3
E	Counter Sunk Washer	2	W-B	Concrete Anchor	3
F	Cover	2	W-C	Washer	3

### Tools Required

#### DRYWALL INSTALLATION (TIMBER SUPPORTS):

- Adjustable spanner/socket set
- Philips head screwdriver
- Power drill
- High speed 4.5mm drill bit
- Stud finder
- Spirit level and pencil

#### MASONRY INSTALLATION:

- Adjustable spanner/socket set
- Philips head screwdriver
- Power drill with hammer function
- 10mm Masonry drill bit
- Spirit level and pencil
- Hammer

#### 5 YEAR WARRANTY

Olbertz Holdings Pty Ltd ACN 010 003 933 trading as The Crest Company of 165 South Pine Road, Brendale, Queensland, 4500, Ph: 1800 812 261, www.crest.com.au, warrants that if this Crest product purchased by you from The Crest Company or a retail outlet is found by The Crest Company to be defective in workmanship or materials within 5 years of the date of purchase, The Crest Company will (at its election) either repair that product, replace the product, supply an equivalent product or pay the costs of repairing or replacing the product or acquiring an equivalent product.

This limited warranty will not extend to or cover any expenses associated with removing, demounting the original product or installing the repaired, replaced or equivalent product or all or any of its components, you must bear these expenses. It also does not cover damage or loss resulting from intentional or unintentional misuse of, tampering with, alterations to or incorrect installation of this product or use of this product for purposes other than that for which it is designed or in a manner inconsistent with the product's instructions. This limited warranty also does not apply to damage or loss resulting from fair wear and tear or events beyond The Crest Company control including but not limited to natural disasters.

In order to claim under this warranty, you must contact The Crest Company and return to The Crest Company (via our nominated reply paid address) the product and its components and proof of purchase (including the date and location of purchase) so that The Crest Company can verify the defect and your purchase.

Our goods come with guarantees that cannot be excluded under the Australian Consumer Law. You are entitled to a replacement or refund for a major failure and compensation for any other reasonably foreseeable loss or damage. You are also entitled to have the goods repaired or replaced if the goods fail to be of acceptable quality and the failure does not amount to a major failure. The benefits given by this warranty are in addition to other rights and remedies which you may have under a law in relation to the goods or services to which the warranty relates.

Proudly brought to you by:



PO Box 5658 Brendale  
QLD Australia 4500

Customer Support  
1800 812 261  
www.crest.com.au

AUSTRALIAN OWNED

1660/3

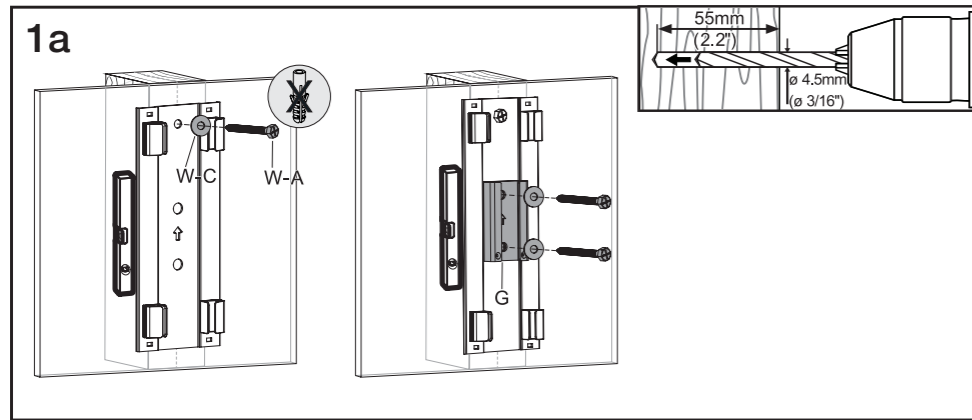
crest

# Step 1: Attach Wall Plate to Wall

## A. INSTALLING IN DRYWALL (TIMBER SUPPORTS)

**WARNING:** The Crest Company holds no responsibility for incorrectly installed TV Wall Mounts.

1. Locate the centre of the timber studs using a stud finder.  
(NOTE: You must use the centre of the stud to avoid cracking or splitting the timber during installation).
2. Remove cover from wall plate and mark a minimum of 2 fixing holes over stud centres using the wall plate as a guide - position 2 at either end of the Wall Plate. Ensure plate is level.
3. Pre-drill holes to a minimum depth of 55mm using a high speed 4.5mm drill bit. If installing in hardwood, larger diameter and deeper holes may be required.
4. Attach the wall plate using the lag bolts (W-A) through the washers (W-C). Do not over tighten.

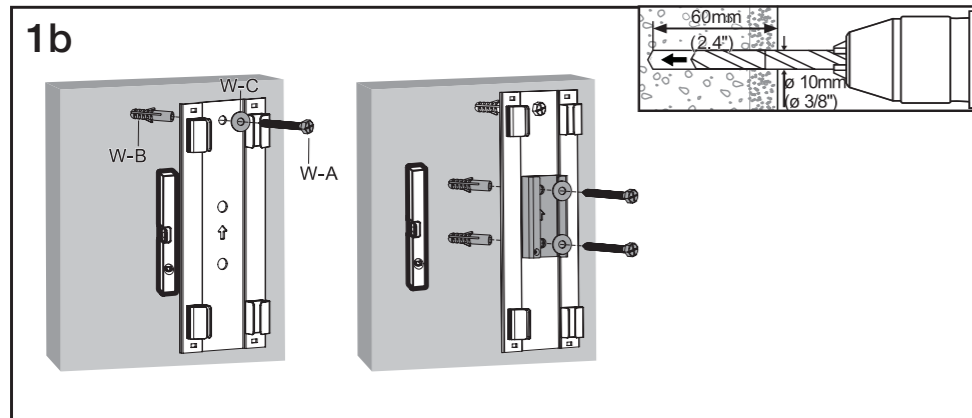


## B. INSTALLING IN MASONRY

**WARNING:** Ensure you have a minimum of 35mm of actual concrete/brick thickness in the hole for the anchors. Do not drill into mortar joints. Installer must verify that the supporting surface will safely support the combined weight of the TV Wall Mount and TV.

The Crest Company holds no responsibility for incorrectly installed TV Wall Mounts.

1. Remove cover from wall plate and mark a minimum of 2 fixing holes over the stud centre using the wall plate as a guide - position 2 at either end of the Wall Plate. Ensure plate is level.
2. Pre-drill holes to a minimum depth of 60mm using 10mm masonry drill bit. Clean out holes.
3. Fully insert concrete anchors (W-B). Tap in with hammer if required.
4. Attach wall plate by inserting the lag bolts (W-A) through the washers (W-C) into each concrete anchor (W-B). Do not over tighten.



# Step 2: Attach Shelf to Wall plate

1. Attach pads (I) to shelf base (C) as shown and adjust nuts in the center of the shelf base using the key (H). This is to create a distance of 4mm between part on the back of the shelf base and the main body of the shelf base, so it can slide onto the wall plate (B).
2. Slide the shelf base (C) into the wall plate (B), adjust height as required and tighten nuts with the key (H).
3. Thread Cable as required as shown and attached covers (B and F).
4. Lay glass shelf (A) onto the shelf base (C) and tighten with counter sunk washer (E) and bolt (D).

