

# BRBMON1

## FULL MOTION Single Arm

# MONITOR MOUNT

### 32" MAX SMALL-LARGE

**100 x 100 MAX**  
**VESA COMPATIBILITY**  
75x75, 100x100

**8kg MAX**  
**TV WEIGHT**  
The maximum supported weight is up to 8kg



## SAFETY FIRST

1. Installation of this Monitor Desk Mount will be easier with two people.
2. Some images in this guide may vary slightly from the actual components supplied.
3. Ensure this instruction manual is completely read and understood before attempting installation.
4. The supporting structure must be capable of sustaining the combined weight of the Monitor Desk Mount and the display otherwise the structure must be reinforced.
5. Use appropriate tools and safety equipment and ensure adequate ventilation during installation.
6. If uncertain about any aspect of installation, contact The Crest Company or an installation professional.
7. Please retain these instructions for future reference.

## Hardware Kit Contents

ITEM	DESCRIPTION	QTY	ITEM	DESCRIPTION	QTY
M-A	M4 x 12mm Bolt	4	E	Sleeve	1
M-B	M4 x 16mm Bolt	4	F	Plate	1
M-C	M5 x 12mm Bolt	4	G	Pad	5
M-D	M5 x 16mm Bolt	4	H	Screw	3
M-E	D5 Washer	4	I	Plate	1
M-F	Small Spacer	4	J	Bolt	1
A	Mounting Plate	1	K	4mm Allen Key	1
B	Mounting Arm	1	L	6mm Allen Key	1
C	Desk Mount	1			
D	Arm	1			

### 5 YEAR WARRANTY

Olbertz Holdings Pty Ltd ACN 010 003 933 trading as The Crest Company of 165 South Pine Road, Brendale, Queensland, 4500, Ph: 1800 812 261, www.crest.com.au, warrants that if this Crest product purchased by you from The Crest Company or a retail outlet is found by The Crest Company to be defective in workmanship or materials within 5 years of the date of purchase, The Crest Company will (at its election) either repair that product, replace the product, supply an equivalent product or pay the costs of repairing or replacing the product or acquiring an equivalent product.

This limited warranty will not extend to or cover any expenses associated with removing, demounting the original product or installing the repaired, replaced or equivalent product or all or any of its components, you must bear these expenses. It also does not cover damage or loss resulting from intentional or unintentional misuse of, tampering with, alterations to or incorrect installation of this product or use of this product for purposes other than that for which it is designed or in a manner inconsistent with the product's instructions. This limited warranty also does not apply to damage or loss resulting from fair wear and tear or events beyond The Crest Company control including but not limited to natural disasters.

In order to claim under this warranty, you must contact The Crest Company and return to The Crest Company (via our nominated reply paid address) the product and its components and proof of purchase (including the date and location of purchase) so that The Crest Company can verify the defect and your purchase.

Our goods come with guarantees that cannot be excluded under the Australian Consumer Law. You are entitled to a replacement or refund for a major failure and compensation for any other reasonably foreseeable loss or damage. You are also entitled to have the goods repaired or replaced if the goods fail to be of acceptable quality and the failure does not amount to a major failure. The benefits given by this warranty are in addition to other rights and remedies which you may have under a law in relation to the goods or services to which the warranty relates.

Proudly brought to you by:



PO Box 5658 Brendale  
QLD Australia 4500

Customer Support  
**1800 812 261**  
www.crest.com.au

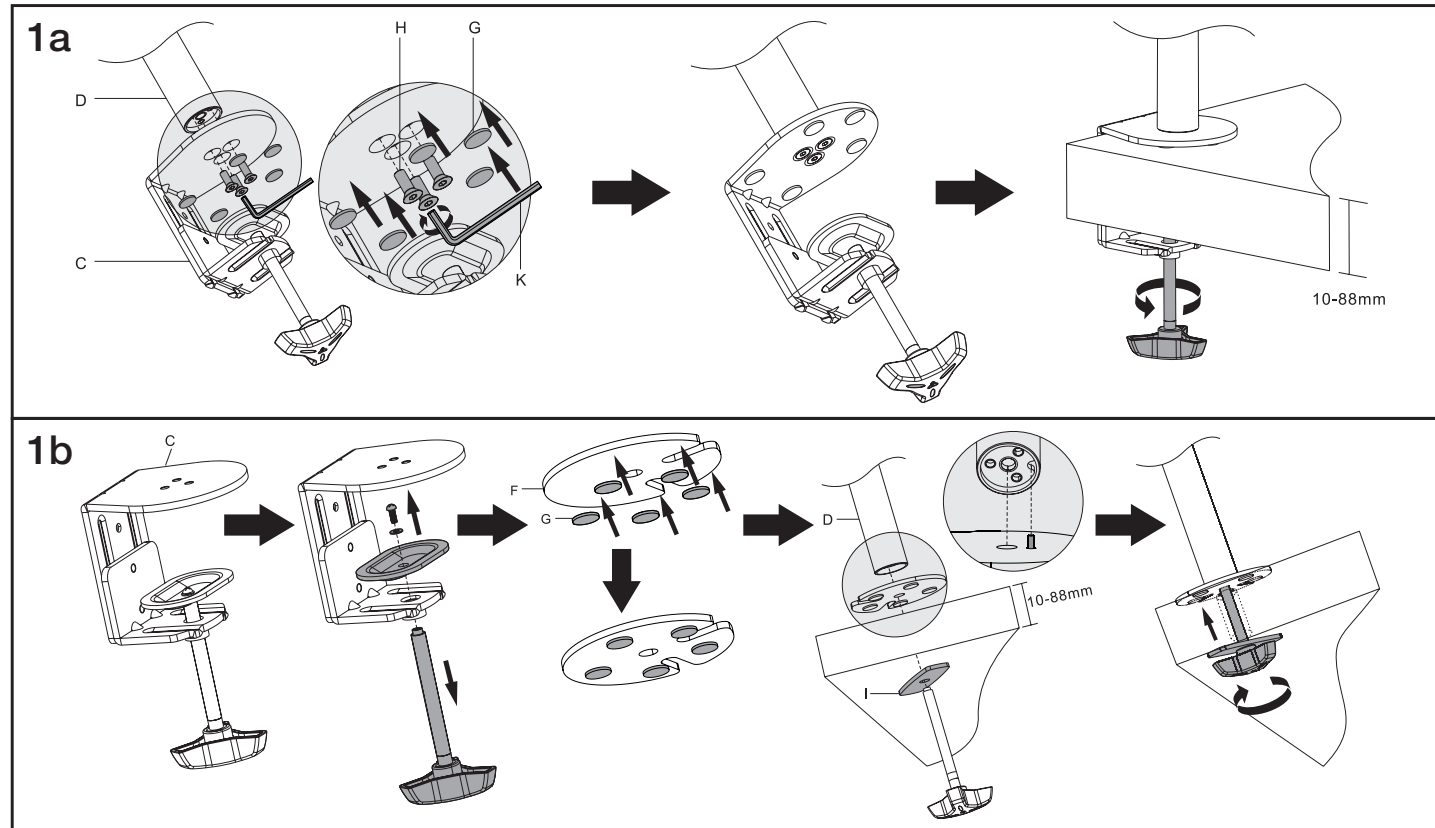
AUSTRALIAN OWNED

1660/2

crest

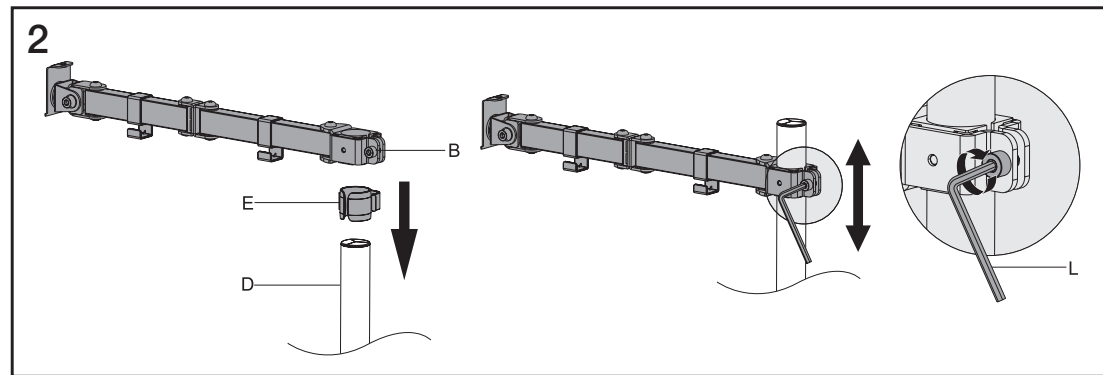
## Step 1: Install Onto Desk or Table

1. Attach arm (D) to plate (C) using bolts (H) and cover bolts with cap (G).
2. Tighten with key (K).
3. Alternatively remove control wheel from part (C) and thread through plate (I) and through hole in the desk. (Desk will need to have a hole or one will need to be drilled for this method).



## Step 2: Attach Mounting Arm

Attached arm as shown, tightening with Key (L).



## Step 3: Attach Mounting Plate to Monitor

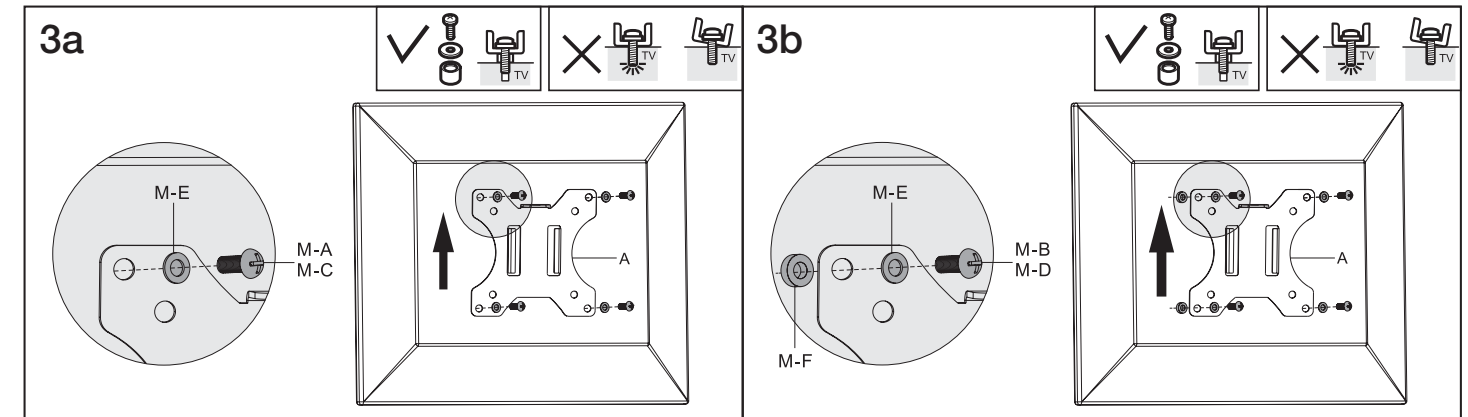
1. Using a second person for assistance, lay your Monitor face down on something soft so as not to scratch the screen.
2. Check the back of your Monitor to find the appropriate mounting pattern.
3. Sort through the provided bolts (M-A to M-D) until you find the correct size that easily fits into the back of your Monitor and fits snugly (the bolt must turn at least 3 full turns, do not tighten). If you feel resistance stop immediately and select a smaller bolt.
 

Once you have selected the correct bolt size, use the washer (M-E). If no bolts fit you will need to go to your local hardware supplier to find the correct bolt and washer sizes.
4. Gently put your Monitor plate (A) on the back of the Monitor so that the mounting holes are showing through the holes of the mounting plate.
 

If the back of your Monitor is curved or recessed you will also need to use a spacer (M-F) depending upon the amount of space you are trying to clear. If using a spacer you will also need to use longer screws. Remember that the bolt needs to turn at least 3 full turns.

5. Using the correct mounting bolt size and length, insert these through the corresponding hole on the washer (M-E) to attach mounting arms to the rear of the TV. To avoid damaging TV, do not over tighten bolts.

The Crest Company is not responsible for any damage caused by screwing the bolt too far into the back of the TV.



## Step 4: Attach Monitor onto Mounting Arm

1. Using a second person for assistance, carefully lift the Monitor and attach Monitor to the mounting arm.
  2. Slowly lower the bottom of the Monitor until the bottom of the mounting plate locks into the mounting arm.
  3. Tighten bolt (J) at the top of the mounting plate to make sure the Monitor is secure.
 

Check your Monitor is secure and safe to use at regular intervals (at least every three months).
  4. Tighten where required with Key (L).
- The Crest Company is not responsible for any damage caused by screwing the bolt too far into the back of the Monitor.

