

CSBM

TV Sound Bar Mount



2 Mounting Options

Mount below or above
Wall Mounted TV



Suitable For Sonos®

This TV Sound Bar Mount is suitable for most SONOS®, SONY® & VIZIO® sound bars



Attaches to TV VESA

Universal Mounting Arms attach to the VESA holes on the TV and don't require holes in the wall



Maximum Sound Bar Weight

This TV Sound Bar Mount supports sound bars weighing up to 15kg



www.crest.com.au/CSBM

Scan QR code for
product support

! SAFETY FIRST

1. Ensure this instruction manual is completely read and understood before attempting installation.
2. Some images in this guide may vary slightly from the actual components supplied.
3. If used with products heavier than the rated weights indicated may result in instability causing possible injury.
4. The Weight of the sound bar must be considered as part of the Maximum Weight requirement of the TV Wall Mount unit in use.
5. Mounts must be attached as specified in assembly instructions. Improper installation may result in damage or serious personal injury.
6. Safety gear and proper tools must be used. Installation of this TV Sound Bar Mount will be easier with two people.
7. Use the mounting screws and bolts provided and DO NOT OVERTIGHTEN mounting screws.
8. This product contains small items that could be a choking hazard if swallowed. Keep these items away from children.
9. This product is intended for indoor use only. Using this product outdoors could lead to product failure and personal injury.
10. If uncertain about any aspect of installation, contact The Crest Company or any installation professional.

IMPORTANT:

- Ensure that you have received all parts according to the component checklist prior to installation. If any parts are missing or faulty contact your local distributor for a replacement.
- Retain these instructions for future reference.

MAINTENANCE:

- Check that the bracket is secure and safe to use at regular intervals (at least every three months).

Hardware Kit Contents

ITEM	DESCRIPTION	QTY	ITEM	DESCRIPTION	QTY
A	Bracket	2	Bag 2 Contents to fix Soundbar onto TV		
B	Bracket Extension	2	K	M6 x 14mm Bolt	4
Bag 1 Contents to fix Brackets onto Soundbar			L	M6 x 20mm Bolt	4
C	M6 x 10mm Bolt	4	M	M8 x 20mm Bolt	4
D	M6 Nut	4	N	M6 x 30mm Bolt	4
E	M4 x 14mm Bolt	2	O	M8 x 30mm Bolt	4
F	M5 x 14mm Bolt	2	P	Small Spacer	8
G	M6 x 14mm Bolt	2	Q	Large Spacer	4
H	D5 Washer	2	R	Washer	2
I	M6 x 12mm Bolt	2			
J	M6 Nut	2			

Tools Required

- Adjustable spanner/socket set
- Phillips head screwdriver

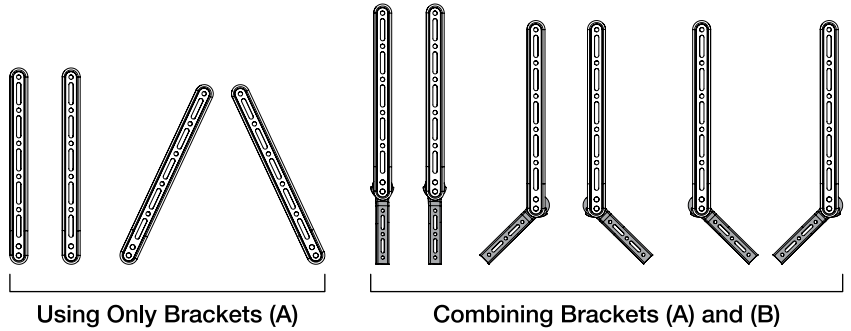
BEFORE BEGINNING INSTALLATION:

WARNING: The Crest Company holds no responsibility for incorrectly installed TV Sound Bar Mounts.

Consider the below points to determine appropriate usage of the product and its components

- TV dimension
- TV wall mount dimension and pattern
- Sound bar dimension and holes positioning

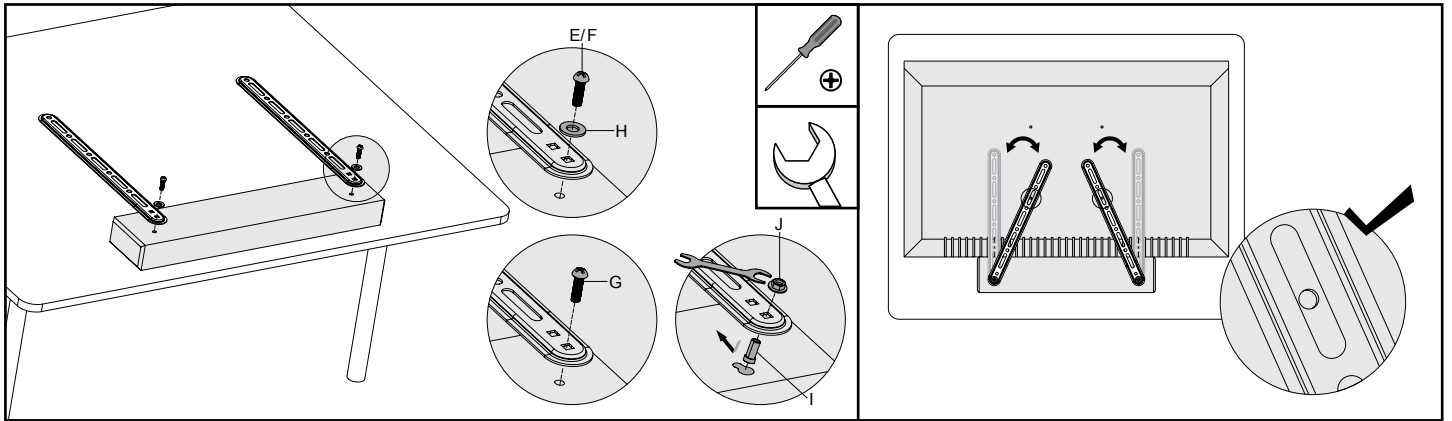
POSSIBLE SOUND BAR MOUNT LAYOUTS:



Option A: Using only Brackets (A)

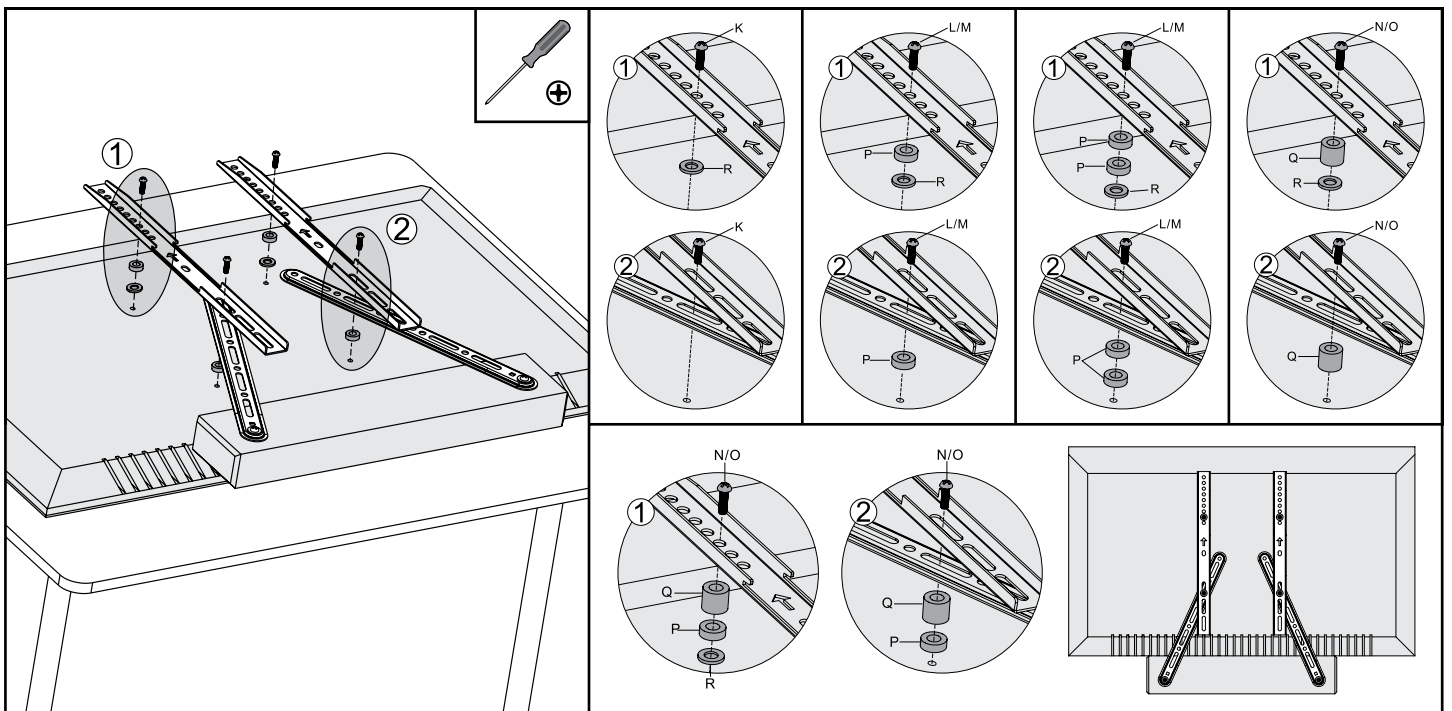
STEP 1: ATTACH BRACKETS TO BACK OF SOUND BAR

1. Sort through the provided bolts and fastening mechanisms (E-J) until you find the correct size that fits.
2. Using a Phillips head screwdriver or adjustable spanner, fix brackets (A) to back of sound bar ensuring not to over tighten.
3. Place brackets (A) and sound bar, fixed together, onto back of TV to determine the best mounting layout for your TV and sound bar combination.



STEP 2: FIX SOUND BAR ONTO BACK OF TV

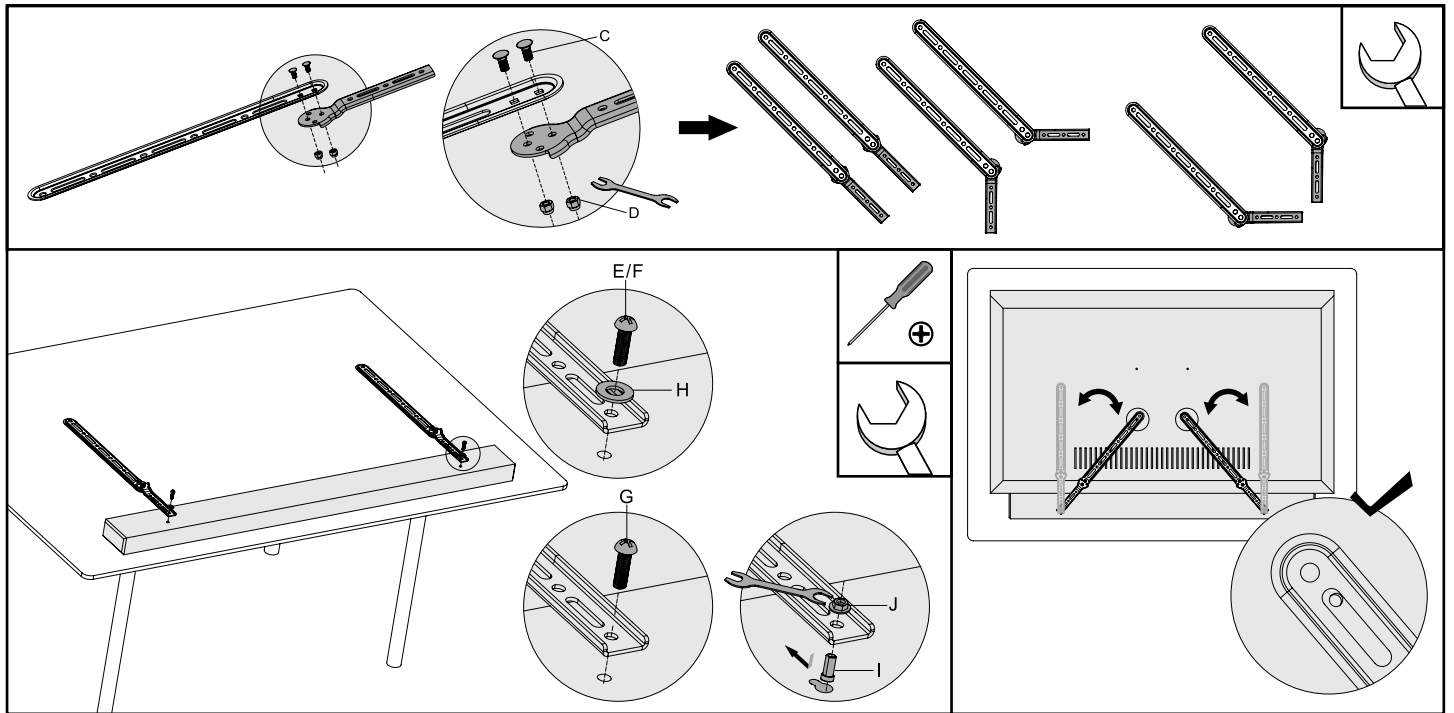
1. Place TV wall mount brackets (not included) on top of brackets (A).
2. Sort through the provided bolts (K-O) until you find the correct size that easily fits through brackets and into the back of your TV and fits snugly. If you feel resistance stop immediately and select a smaller bolt. Once you have selected the right bolt size use the spacers and washers as shown in the drawings. If no bolts fit you will need to go to your local hardware supplier to find the correct parts that fit. Option A: Using only Brackets (A)



Option B: Combining Brackets (A) and (B)

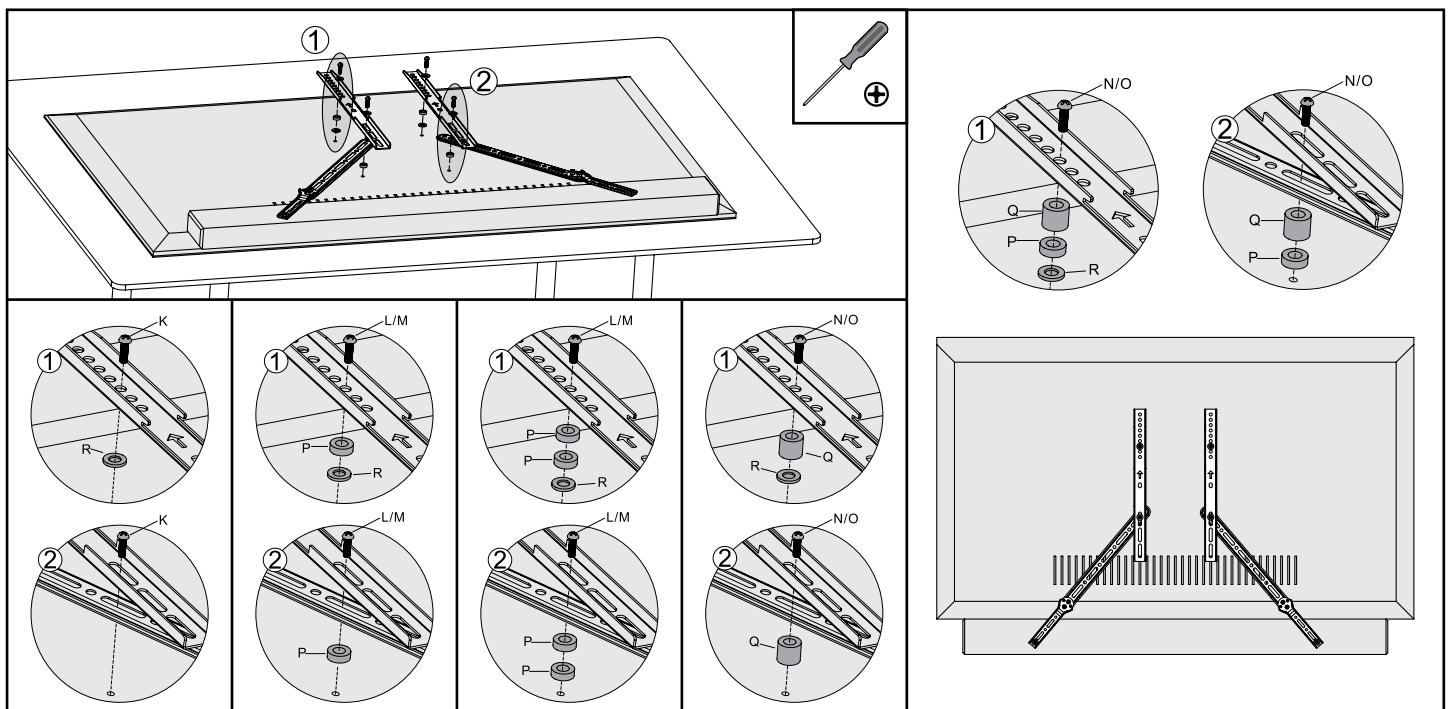
STEP 1: ATTACH BRACKETS TO BACK OF SOUND BAR

1. Fix Brackets (A) and (B) together into the configuration that matches your TV and sound bar requirements.
2. Sort through the provided bolts and fastening mechanisms (E-J) until you find the correct size that fits.
3. Using a Phillips head screwdriver or adjustable spanner, fix bracket extension piece (B) to back of sound bar ensuring not to over tighten.
4. Place combined brackets (A) and (B), fixed to sound bar, onto back of TV to determine the best mounting layout for your TV and sound bar combination.



STEP 2: FIX SOUND BAR ONTO BACK OF TV

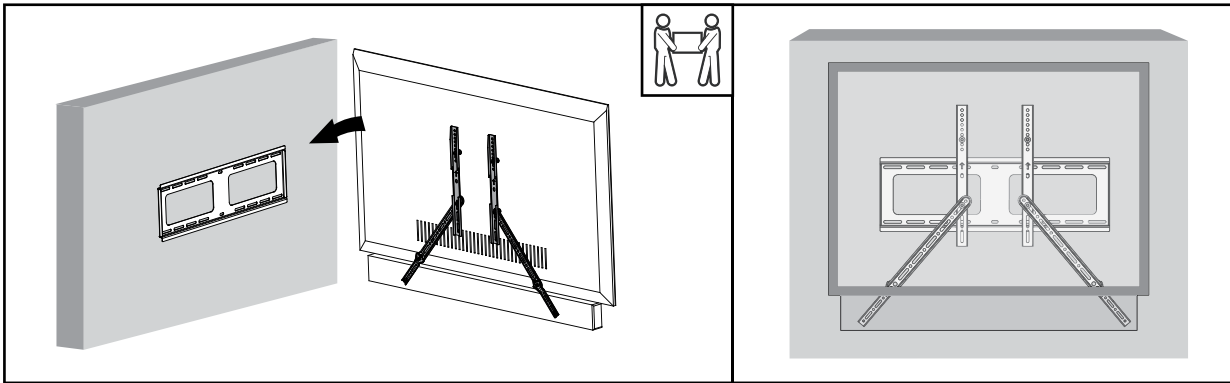
1. Place TV wall mount brackets (not included) on top of brackets (A).
2. Sort through the provided bolts (K-O) until you find the correct size that easily fits through brackets and into the back of your TV and fits snugly. If you feel resistance stop immediately and select a smaller bolt. Once you have selected the right bolt size use the spacers and washers as shown in the drawings. If no bolts fit you will need to go to your local hardware supplier to find the correct parts that fit.



Place TV and Sound Bar Set onto Wall

Install TV with sound bar on TV wall mount unit.

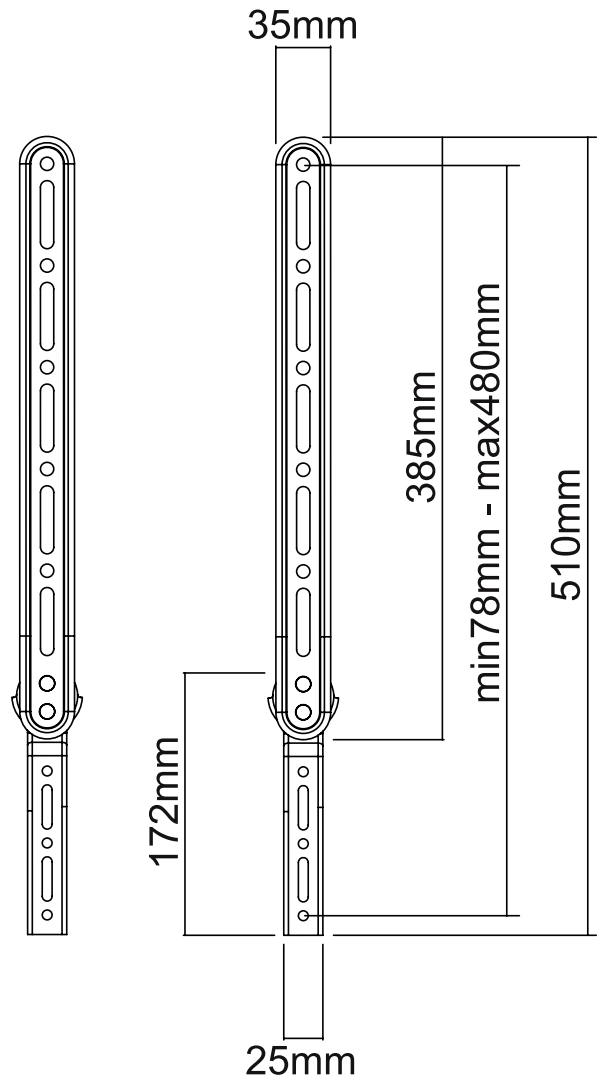
Warning: Installation of equipment onto TV wall mount unit requires two people.



INSTALLATION OPTION A - EXAMPLE



INSTALLATION OPTION B - EXAMPLE



5 YEAR WARRANTY

Olbertz Holdings Pty Ltd ACN 010 003 933 trading as The Crest Company of 165 South Pine Road, Brendale, Queensland, 4500, Ph: 1800 812 261, www.crest.com.au, warrants that if this Crest product purchased by you from The Crest Company or a retail outlet is found by The Crest Company to be defective in workmanship or materials within 5 years of the date of purchase, The Crest Company will (at its election) either repair that product, replace the product, supply an equivalent product or pay the costs of repairing or replacing the product or acquiring an equivalent product.

This limited warranty will not extend to or cover any expenses associated with removing, demounting the original product or installing the repaired, replaced or equivalent product or all or any of its components, you must bear these expenses. It also does not cover damage or loss resulting from intentional or unintentional misuse of, tampering with, alterations to or incorrect installation of this product or use of this product for purposes other than that for which it is designed or in a manner inconsistent with the product's instructions. This limited warranty also does not apply to damage or loss resulting from fair wear and tear or events beyond The Crest Company control including but not limited to natural disasters.

In order to claim under this warranty, you must contact The Crest Company and return to The Crest Company (via our nominated reply paid address) the product and its components and proof of purchase (including the date and location of purchase) so that The Crest Company can verify the defect and your purchase.

Our goods come with guarantees that cannot be excluded under the Australian Consumer Law. You are entitled to a replacement or refund for a major failure and compensation for any other reasonably foreseeable loss or damage. You are also entitled to have the goods repaired or replaced if the goods fail to be of acceptable quality and the failure does not amount to a major failure. The benefits given by this warranty are in addition to other rights and remedies which you may have under a law in relation to the goods or services to which the warranty relates.

Proudly brought to you by:



PO Box 5658 Brendale
QLD Australia 4500

Customer Support

1800 812 261

www.crest.com.au

AUSTRALIAN OWNED