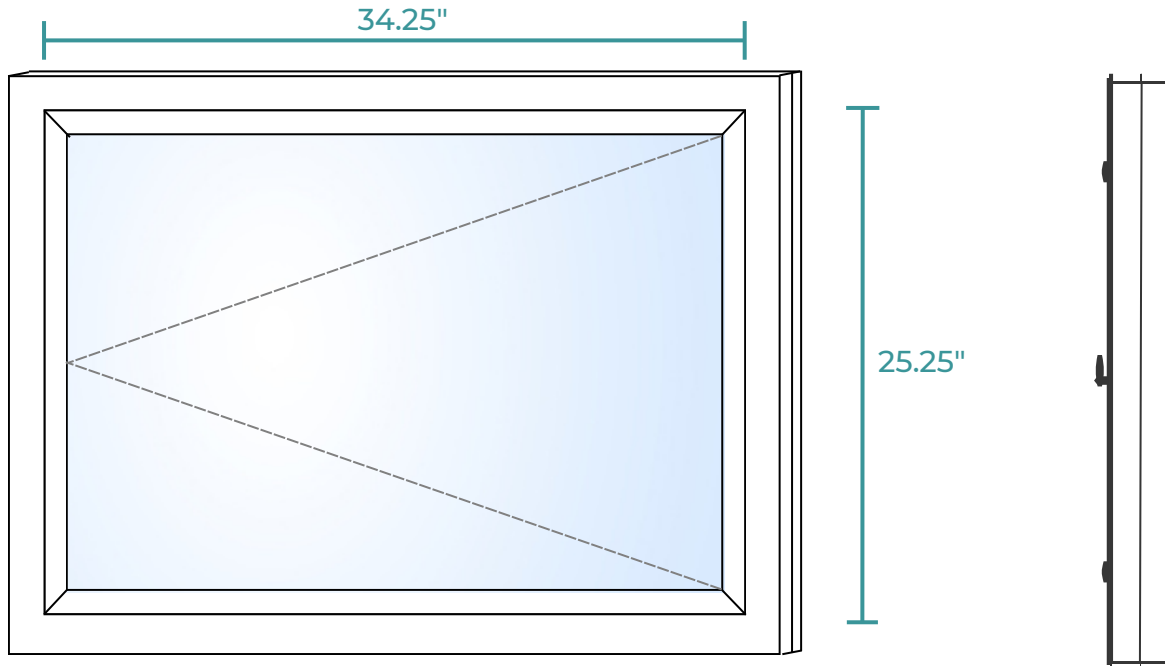


# 40"w x 30h Side Hinge



Recommended Rough Opening: 41"w x 31"h



Measurement	Dimension	Area	Frame Thickness
Window Frame	40"w x 30"h		3.25"
Clear Opening	34.25"w x 25.25"h	6.01 Sq. Ft.	
Visible Glass	32.75"w x 22.25"h	5.17 Sq. Ft.	

## Component Details

PVC frame and sash with mitre cut welded corners  
Aluminium lock and keeper mechanisms  
Steel frame and sash hinge brackets  
Removable spring-loaded insect screen

## Glass Details

Double Pane  
Argon Gas Filled  
Low-E 272 Coating  
U-factor: 0.22\*

In-swinging | can be left or right hinged

## Testing Details

**Forced-entry Resistance Test (ATSM F588)**  
F10 Rating

**Thermoplastic Corner Weld Test (Clause 9.3.6.2)**  
Pass

## **Air Leakage Resistance Test (ATSM E283)**

R class A3 Level  
Infiltration = 0.035 cfm/ft<sup>2</sup> - A3 Level  
Exfiltration = 0.036 cfm/ft<sup>2</sup> - A3 Level

## **Water Penetration Resistance Test (ATSM E547)**

No Leakage or trapped water at 260 Pa  
Water Application Rate: 1.492 L/min

\*To mitigate against supply chain disruptions, we source glass from multiple suppliers. There may be a slight difference in the U-factor depending on the glass used in each unit.