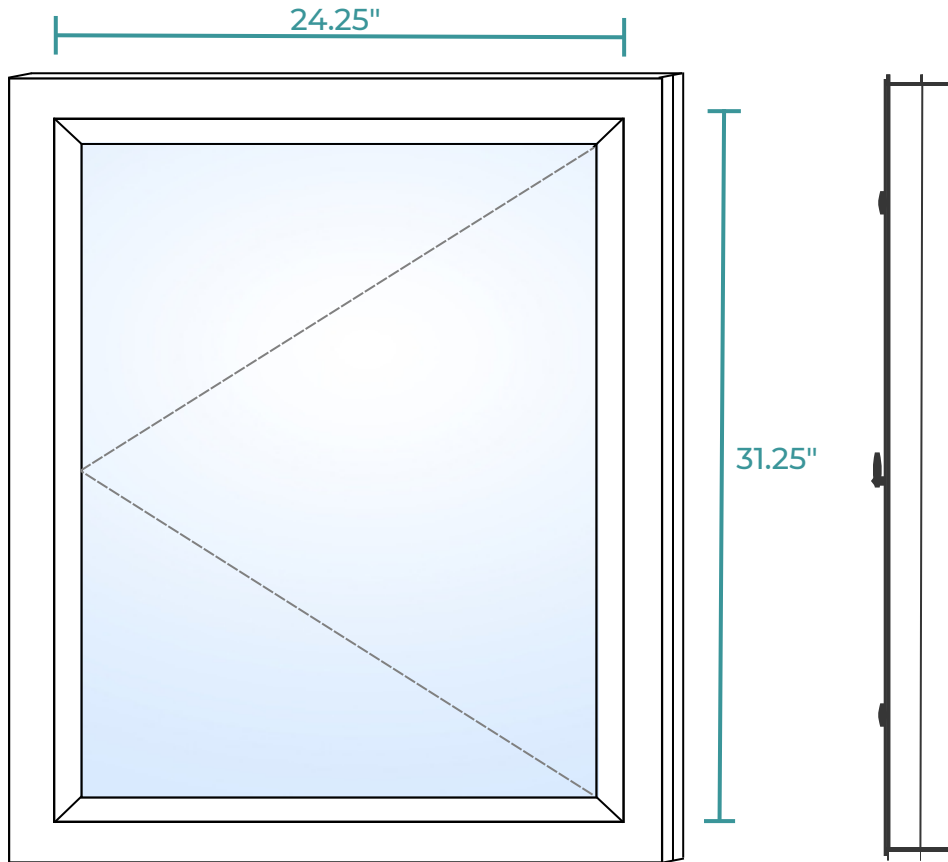


30"w x 36h Side Hinge



Recommended Rough Opening: 31"w x 37"h



Dimensions

Window Frame
30"w x 36"h

Clear Opening
24.25"w x 31.25"h
5.26 Sq. Ft.

Visible Glass
22.75"w x 28.75"h
4.54 Sq. Ft.

Frame Thickness
3.25"

Component Details

PVC frame and sash with mitre cut welded corners
Aluminum lock and keeper mechanisms
Steel frame and sash hinge brackets
Removable spring-loaded insect screen

Glass Details

Double Pane
Argon Gas Filled
Low-E 180 Coating
U-factor: 0.22*

In-swinging | can be left or right hinged

Testing Details

Forced-entry Resistance Test (ATSM F588)
F10 Rating

Thermoplastic Corner Weld Test (Clause 9.3.6.2)
Pass

Air Leakage Resistance Test (ATSM E283)

R class A3 Level
Infiltration = 0.035 cfm/ft² - A3 Level
Exfiltration = 0.036 cfm/ft² - A3 Level

Water Penetration Resistance Test (ATSM E547)

No Leakage or trapped water at 260 Pa
Water Application Rate: 1.492 L/min

*To mitigate against supply chain disruptions, we source glass from multiple suppliers. There may be a slight difference in the U-factor depending on the glass used in each unit.