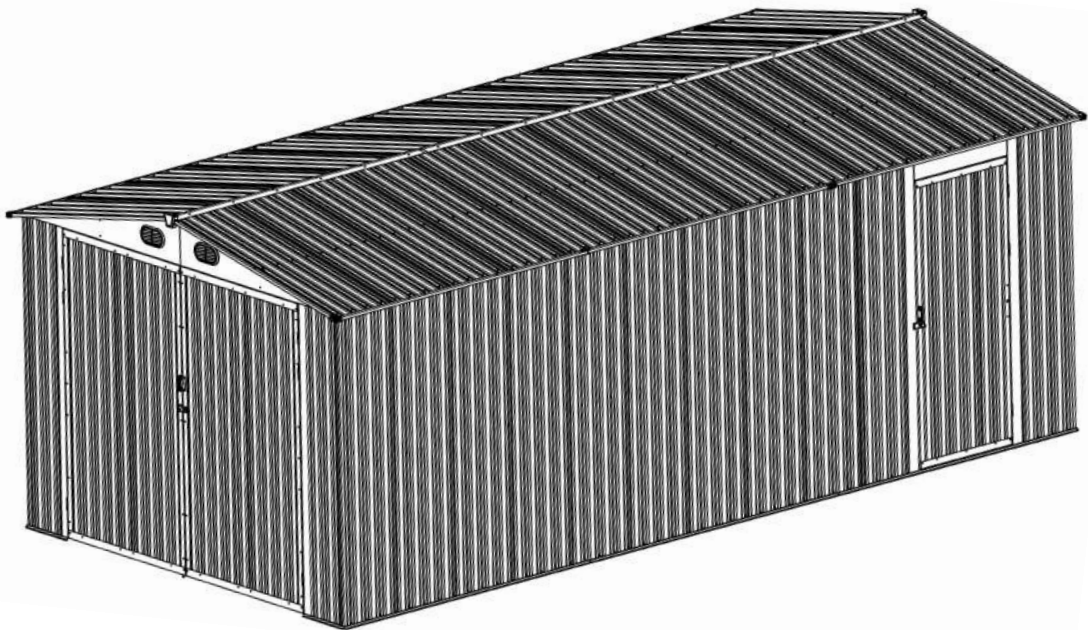




10\*20ft Garden Metal Garage Shed  
Installation Instructions  
W120.5"xD238.6"xH91.3"



**Thank you for choosing us!**

Please let us know if you have any concerns.

CHERY INDUSTRIAL  
[www.cheryindustrial.com](http://www.cheryindustrial.com)  
T: 888-589-8148  
E: [service@cheryindustrial.com](mailto:service@cheryindustrial.com)

**The product comes in one carton. Please install in a leveled place.**

## Site Selection

Avoid overhanging trees as much as possible as leaves will make regular cleaning necessary and broken branches are a potential hazard. Small trees, bushes or fences nearby can be helpful, acting as a wind break.

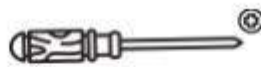
## Site Preparation

The site must be prepared so that the base of the shed is level all round and checking with a spirit level is required. The base can be constructed by treated timber or concrete, in order to stop the moisture getting into the shed. The shed is not designed to be built onto lawn directly. Also the ground will get muddy during rainy days. If a concrete pad is made, it is important that this slopes towards the edges to prevent water ingress. Time must be allowed for any concrete or cement to dry before building the shed on top. Bases can also be constructed from bricks, blocks, or mounted on a concrete pad. The bricks or blocks should be cemented onto firm and level concrete footings.

**Please prepare below tools before installation. (Not Included)**



Electric Screwdriver



+ Manual Screwdriver



Ladder



Spanner

**Package included Tools**



Gloves X 1 Pair

## **ATTENTION:**

1. Please read this instruction carefully before installation and follow it strictly during installation.
2. Ensure that there are no problems later due to installation errors.
3. We have prepared extra screws for you to use in case of loss or damage.

### **Installation Notes**

Please check the quantity of all parts before installation (refer to the Parts Lists) and the appearance of the products. Make sure the product is correct before installation.

Make sure the colored panels are facing outwards and all the holes match. The panels are textured, please install the panels in the order specified in the instructions. All lines and holes should be matched to make the storage shed more stable. Please ensure that all screws are tightened to prevent the product from falling apart.

There is a protective film on the surface to protect the product, you can tear it off after installation. If you do not damage the film during installation, it can also remain on the product to protect.

Please place the product on a flat ground to prevent leaning and collapse. If the ground is uneven, the door may can't be closed.



### **Safety Precautions**

We recommend two adults to complete the installation. Two adults installed together will make the installation process easier and safer.














































The gloves must be carried to prevent hand cuts during installation.



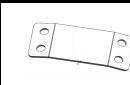









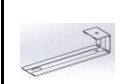



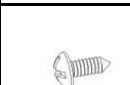







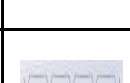




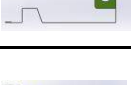
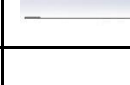












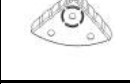



Take care when using power tools near water the use of a residual current device (RCD) is advised. Please use the electric driver carefully during screwing to prevent the screw from slipping and hurting your hand.

Be careful not to fall when installing the roof. Please steady the ladder and make sure the product placed on a flat ground.

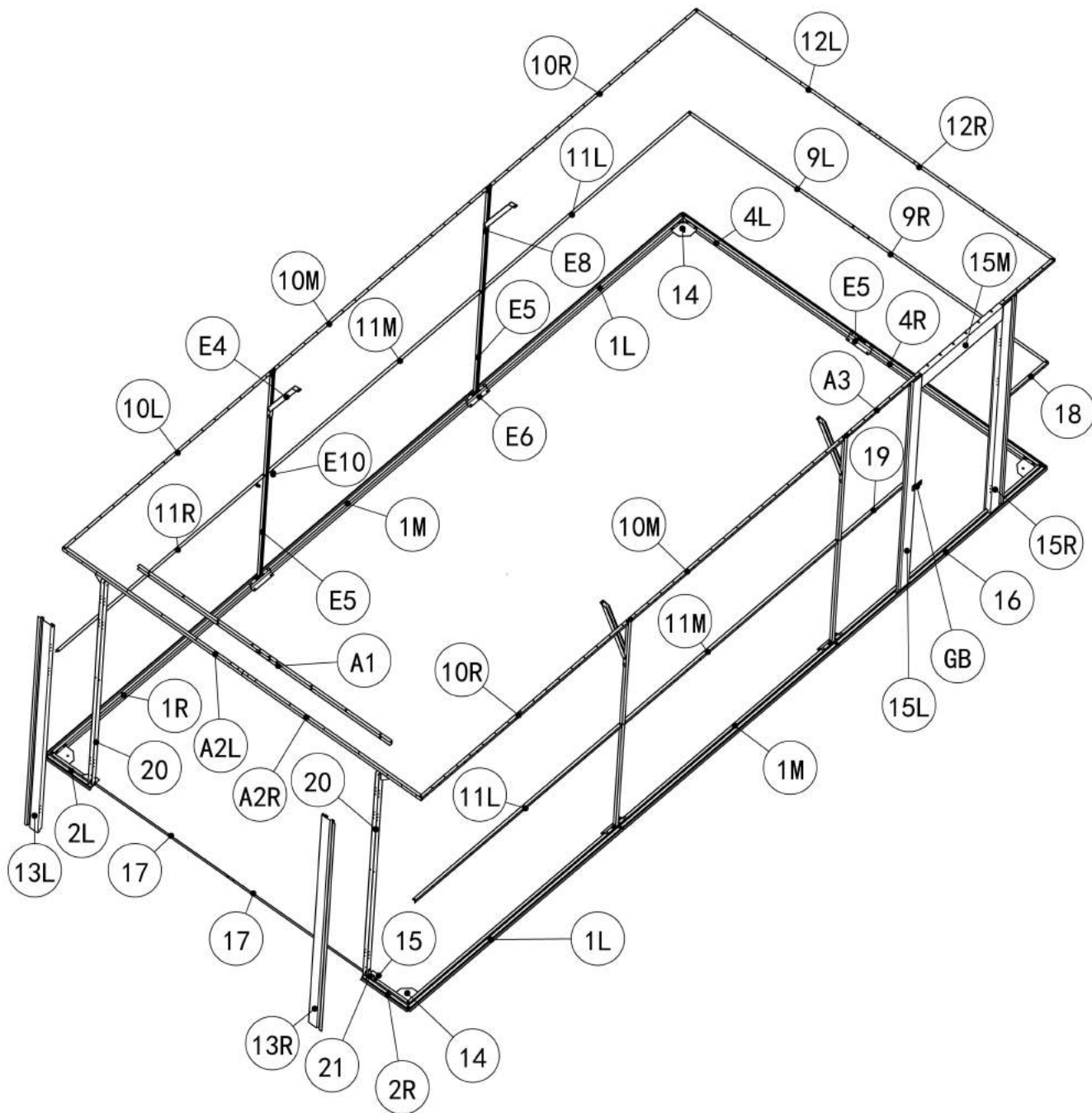
**PLEASE KEEP THIS INSTRUCTION FOR FUTURE REFERENCE.**

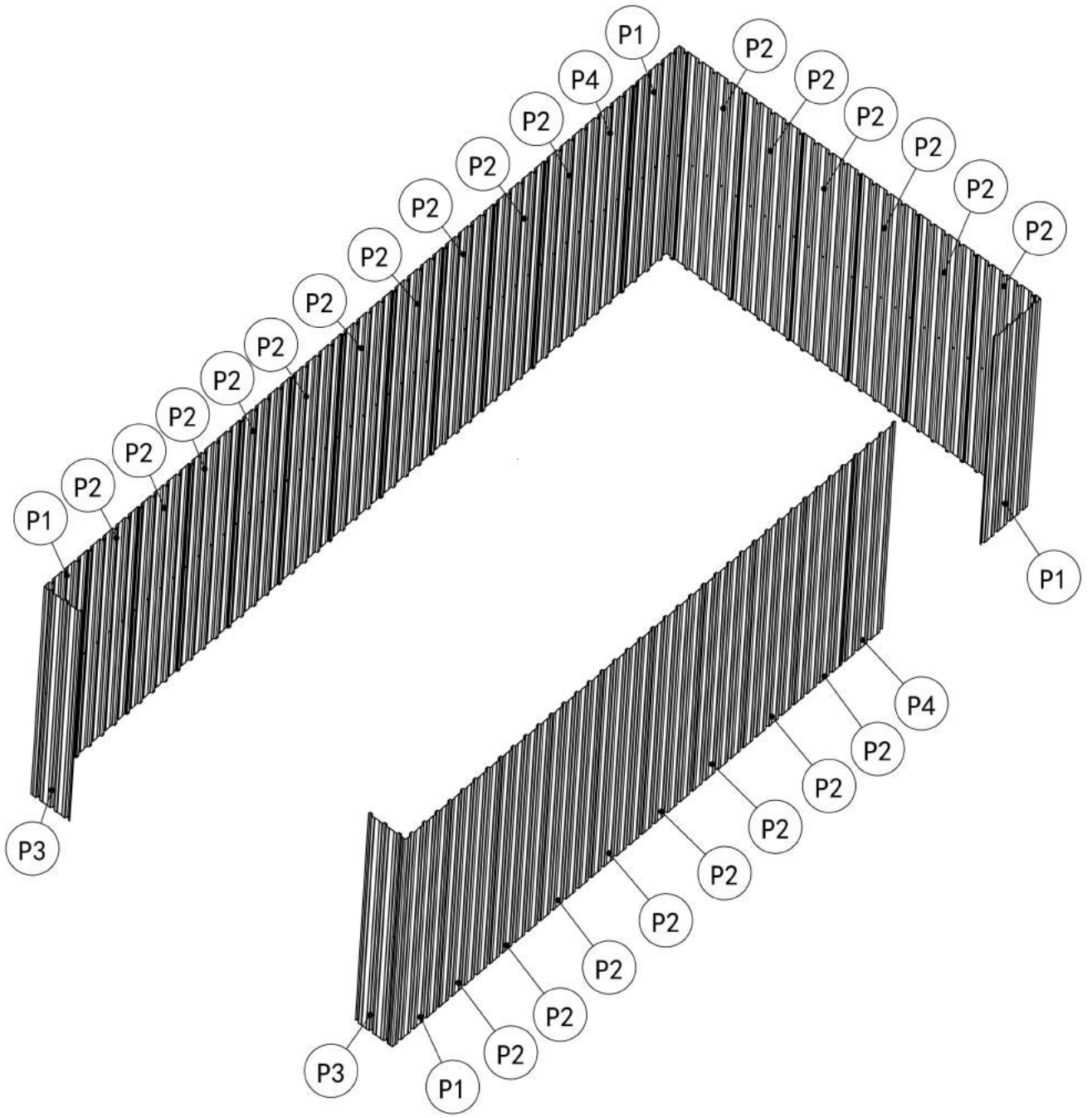
# Component List

Part	No	Qty	Part	No	Qty	Part	No	Qty
	4L	1		14	4		D15	1
	4R	1		15	2		D16	1
	1L	2		17	2		D17	1
	1R	1		ABL	2		D18	2
	2L	1		ABR	2		D19	1
	2R	1		ABM	2		D20	2
	1M	2		APL	2		D21	1
	P1	4		APR	2		E1	4
	P2	24		PL	4		E2	4
	P4	2		AP2	26		E3	4
	P3	2		AP5	3		E4	4
	13L	1		AP6	4		E5	4
	13R	1		AP7	4		E6	5
	A1	1		AP8	2		E7	2
	A2L	1		C2	2		E8	4

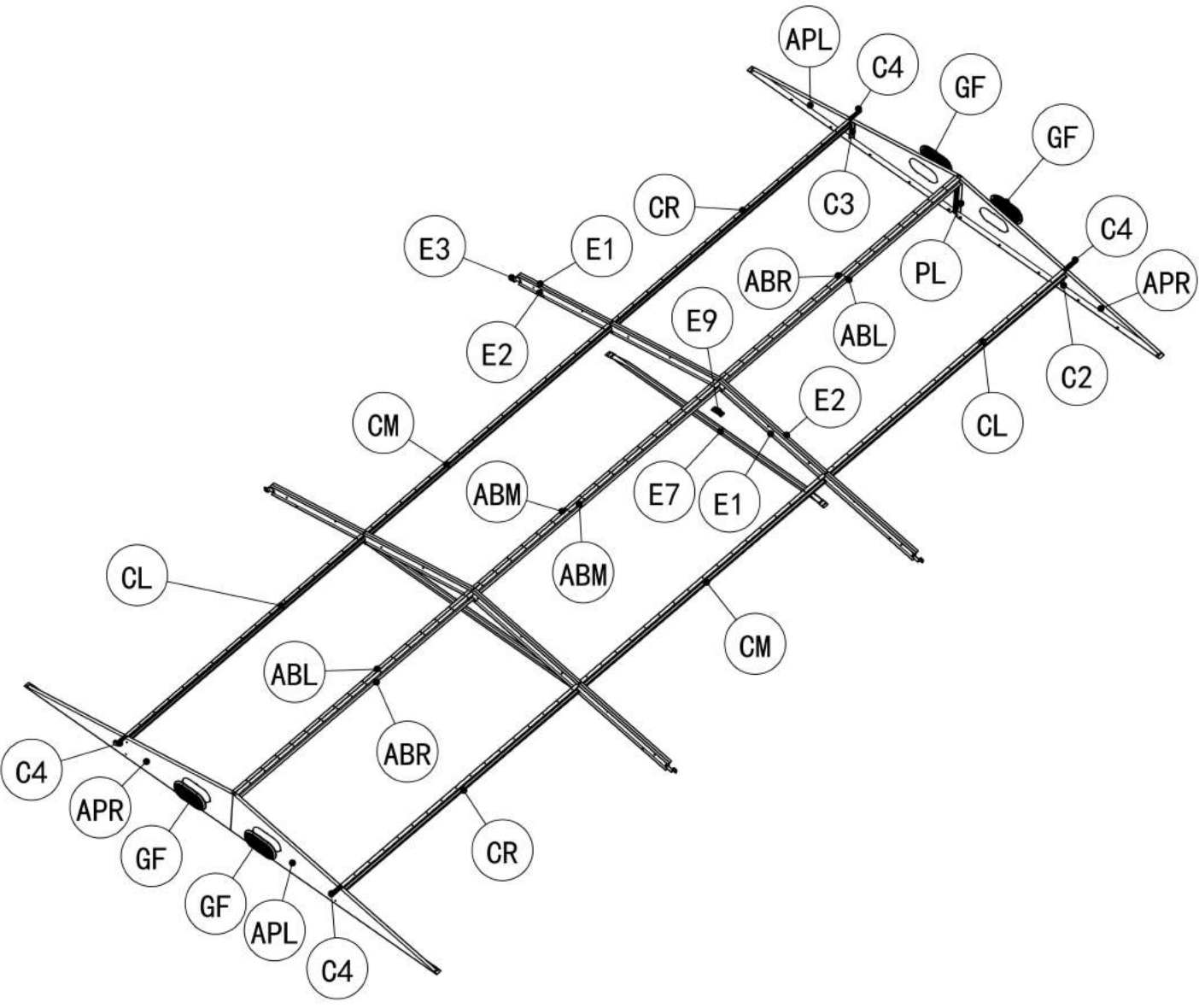
	A2R	1		C3	2		E9	2
	10R	2		CL	2		E10	24
	12L	1		CR	2		F4	20
	12R	1		CM	2		F1	920
	10L	1		C4	4		F14	4
	11L	2		D1	2		F5	62
	11R	1		D2	4		F6	200
	9L	1		D3	2		F15	4
	9R	1		D4	2		F2	122
	15L	1		D5	1		F3	62
	15R	1		D6	1		F16	12
	16	1		D7	4		F8	302
	10M	2		D8	4		F7	766
	11M	2		D9	3		RC2	4
	A3	1		D10	4		RC3	4
	18	1		D11	1		GF	4

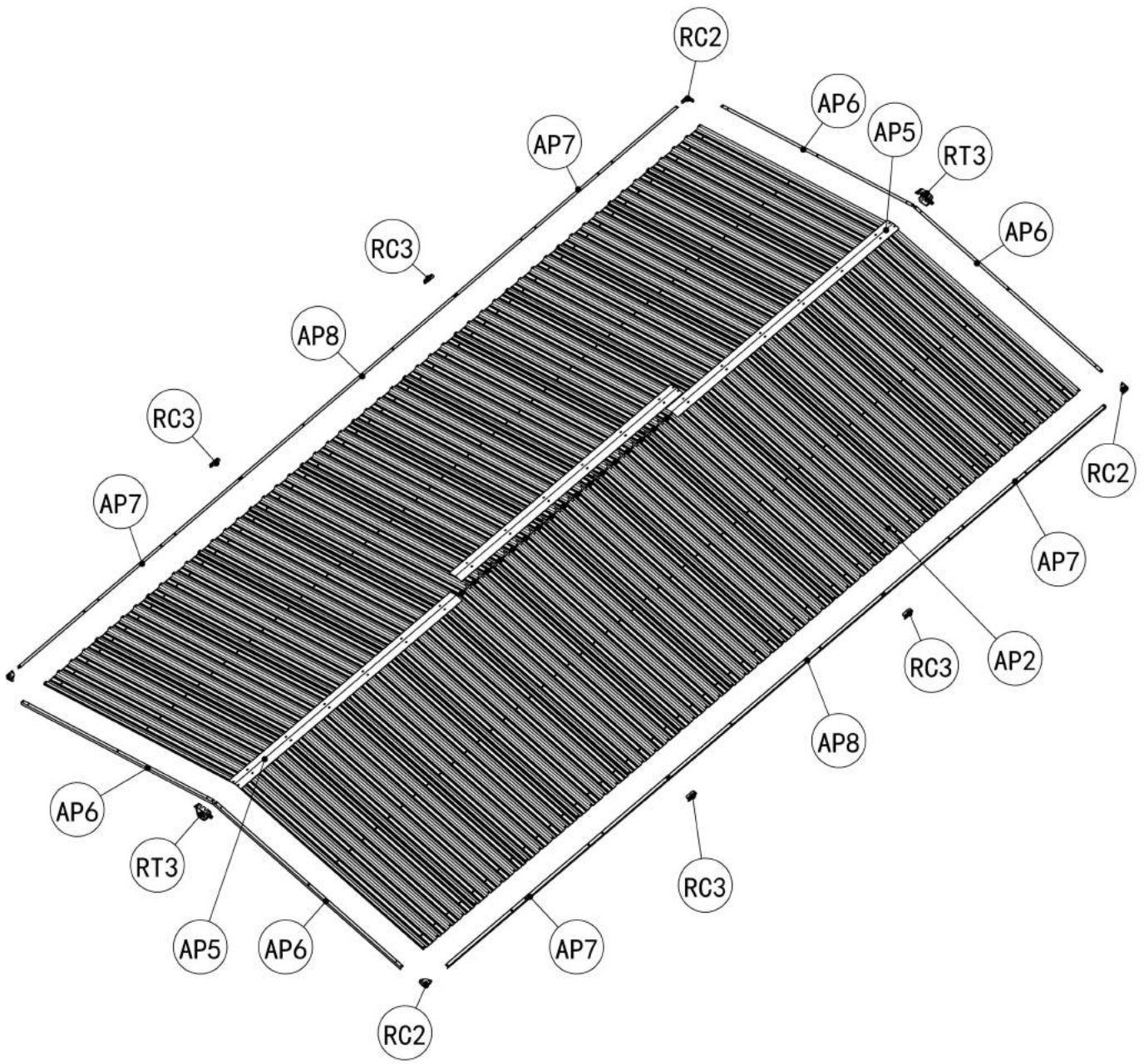
	19	1		D12	2		RT3	2
	20	2		D13	1		GD	2
	21	4		D14	1		S1	9
	15M	1		GB	2		GE	11

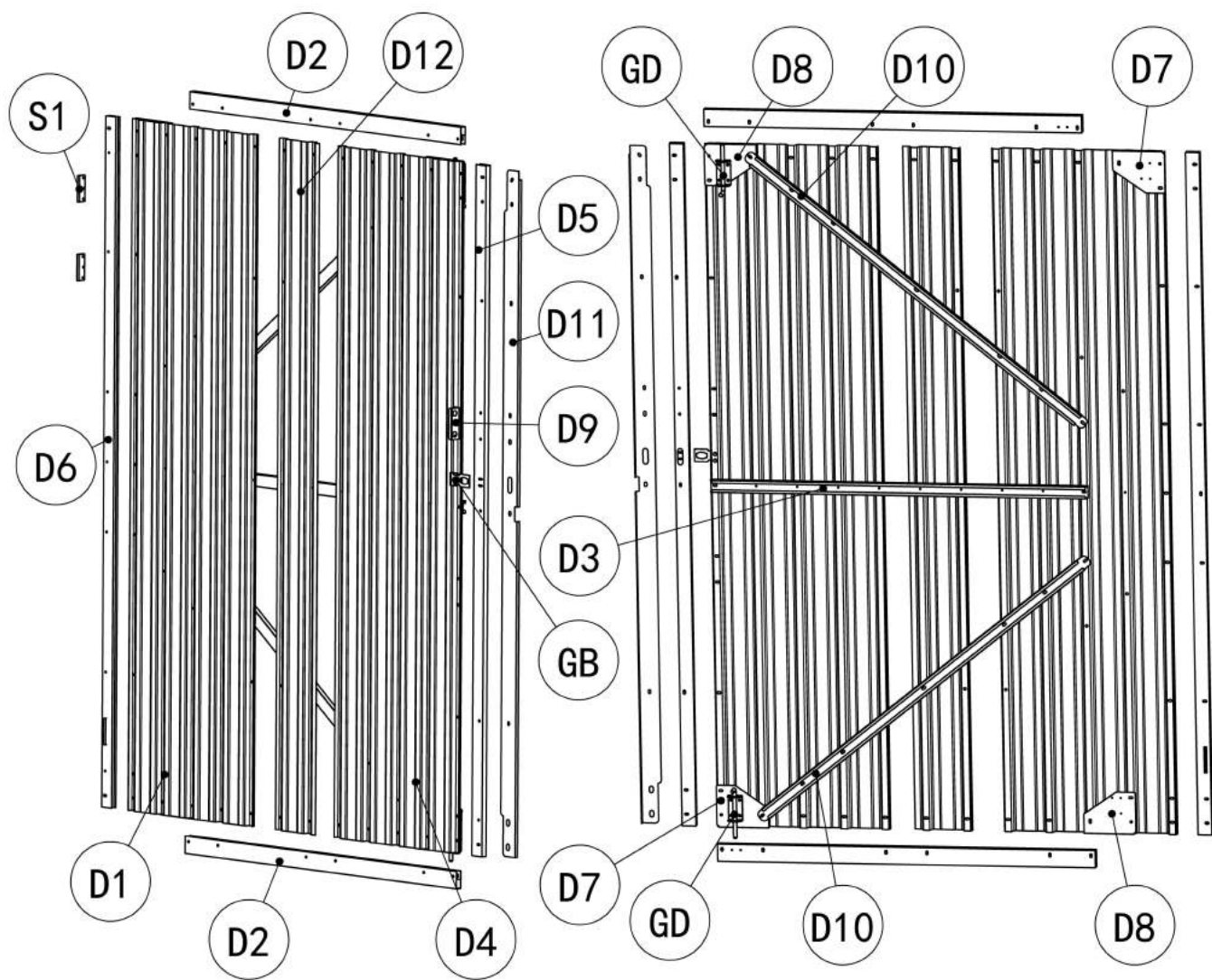


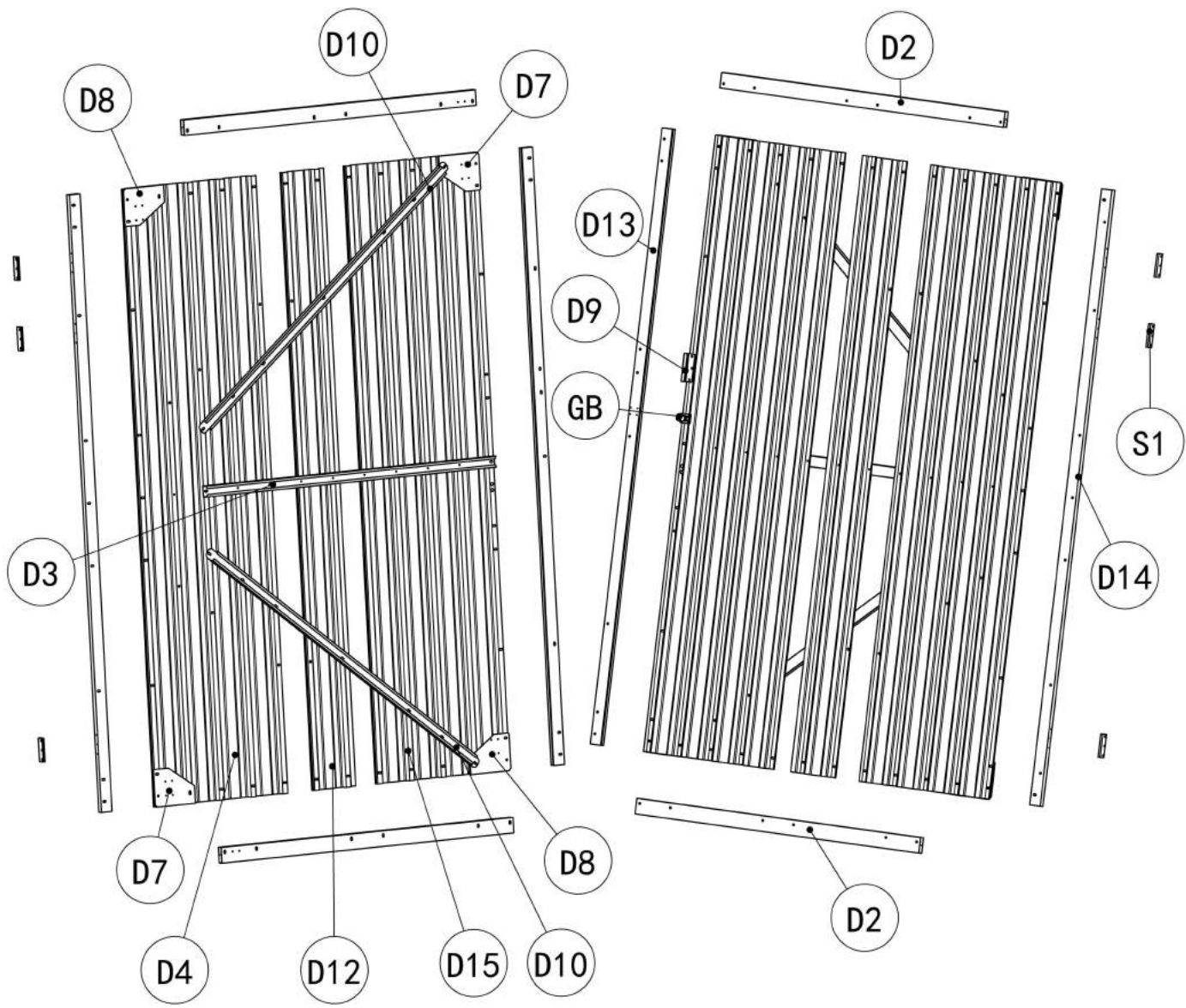


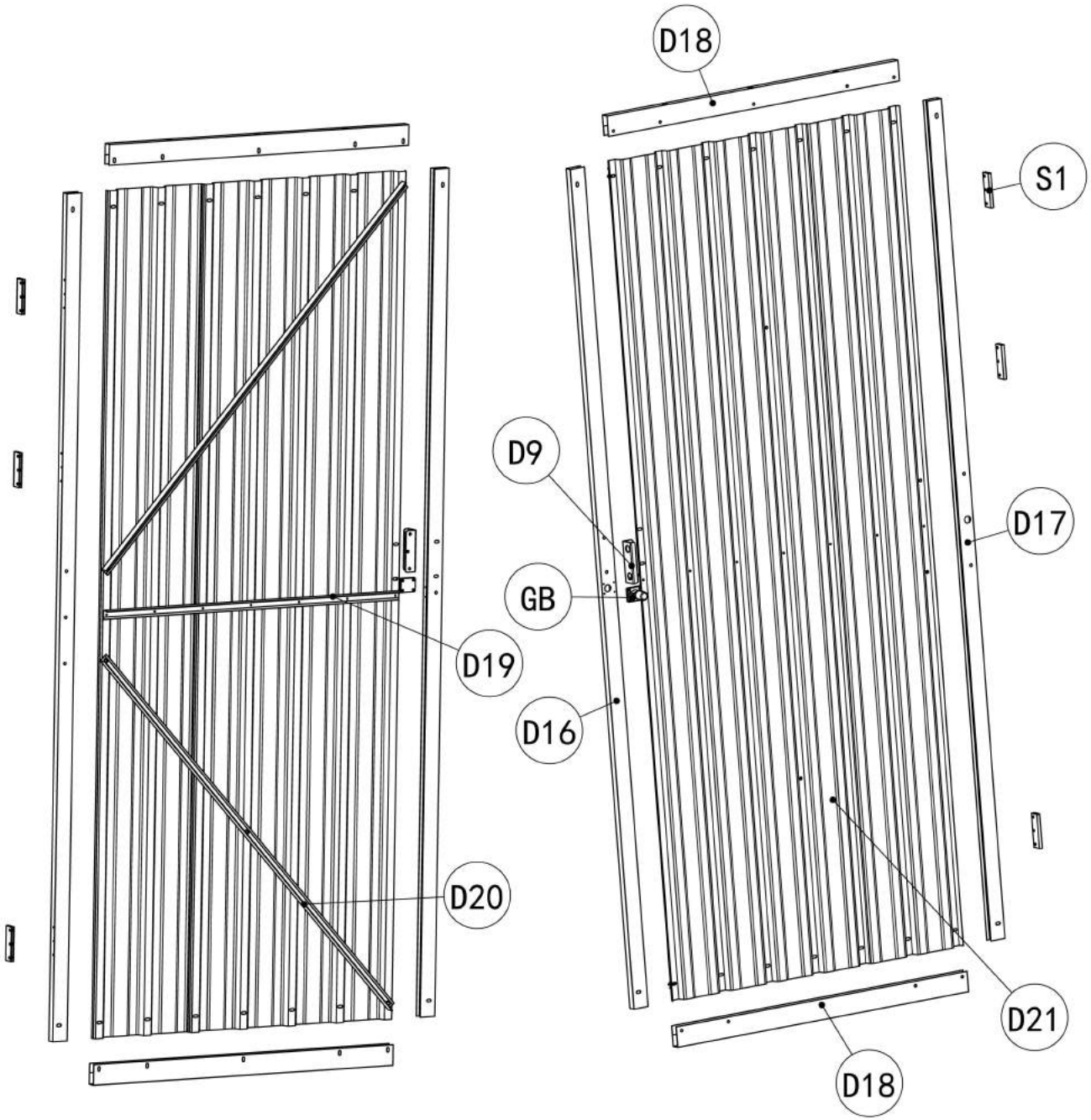






















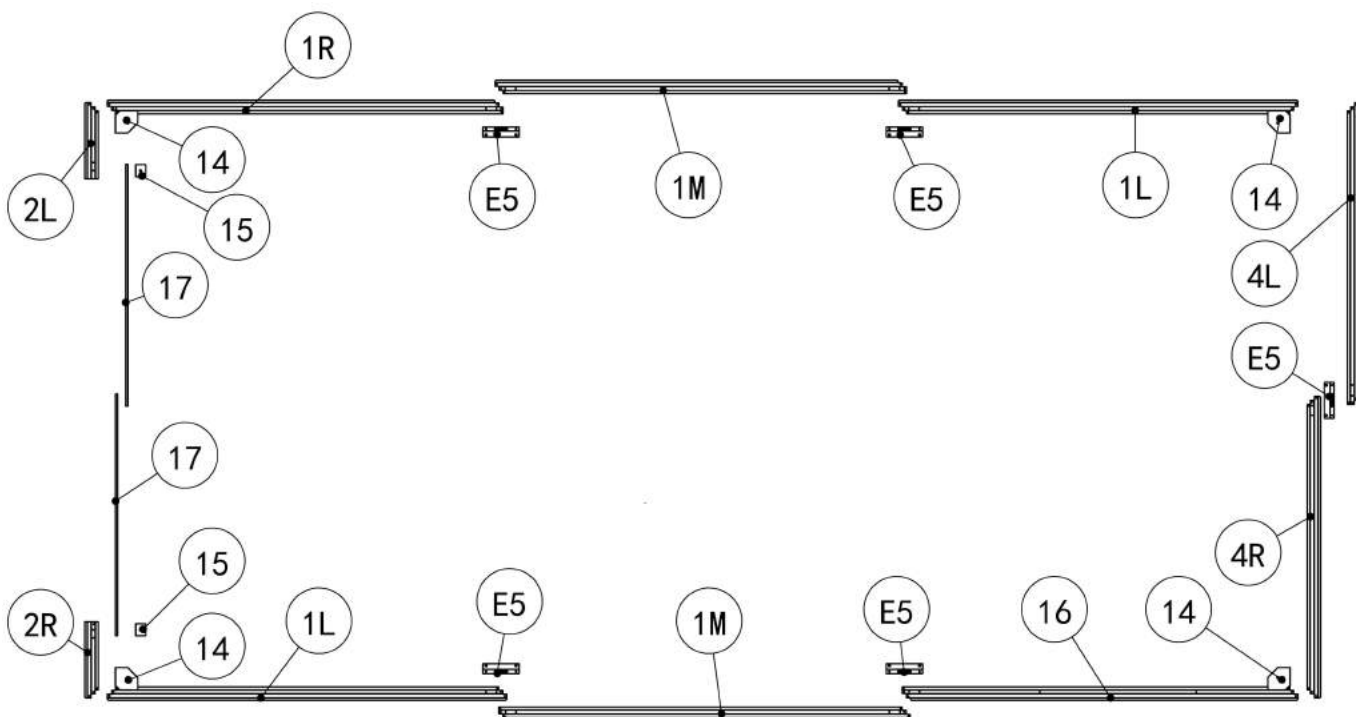


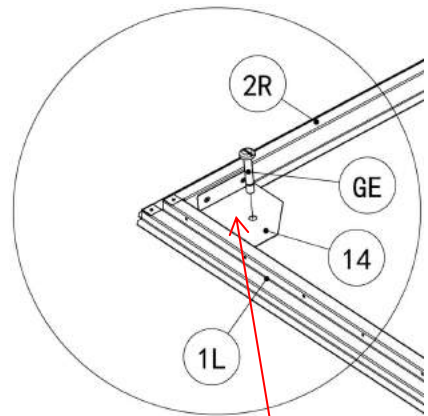
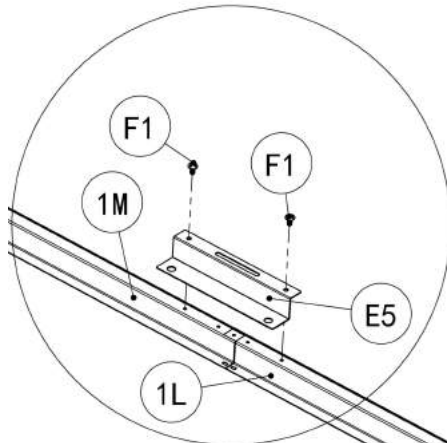
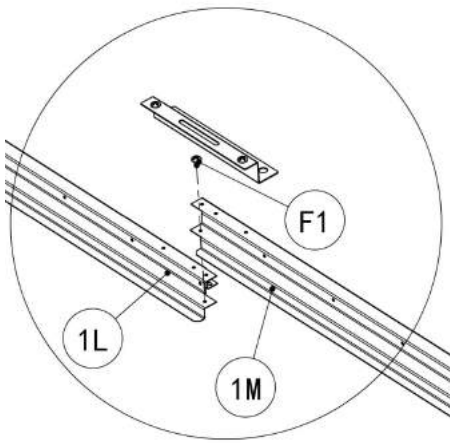
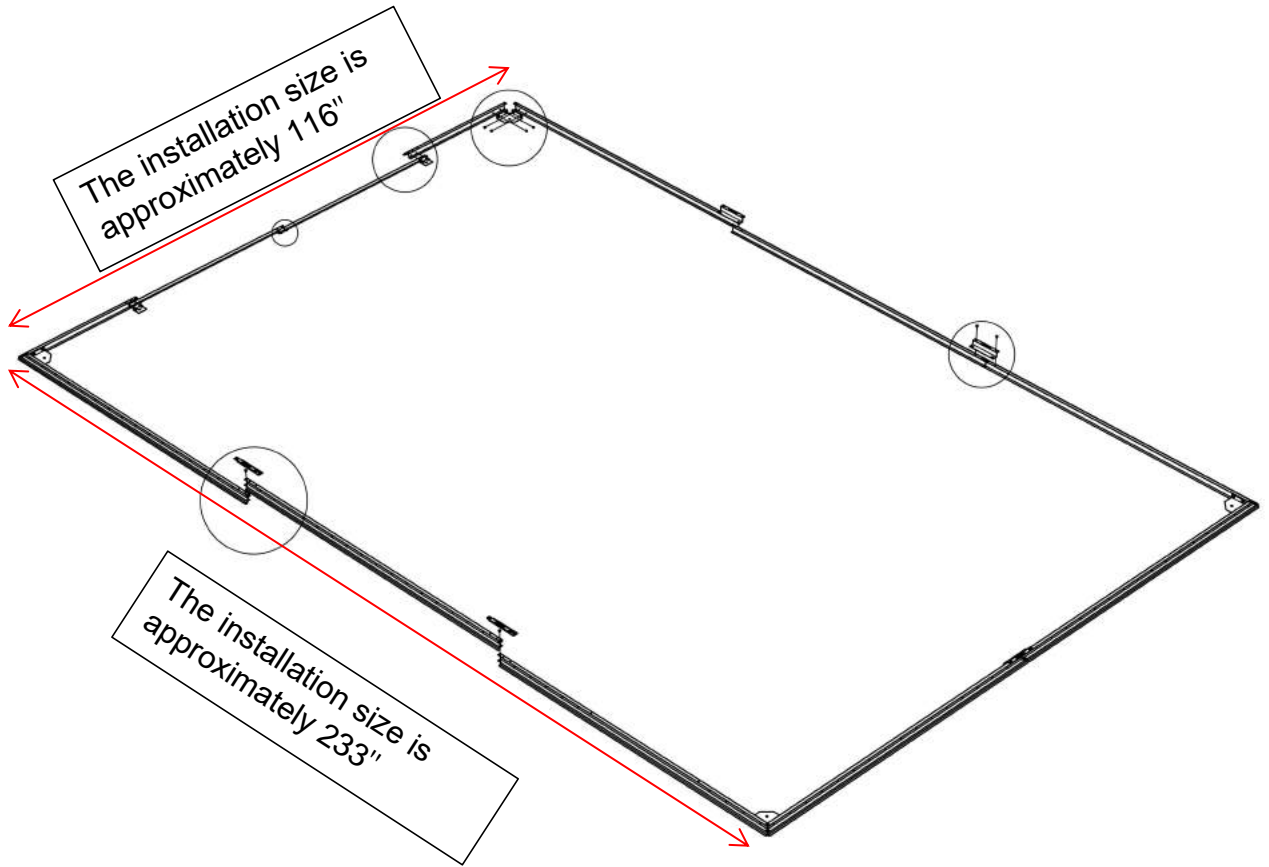
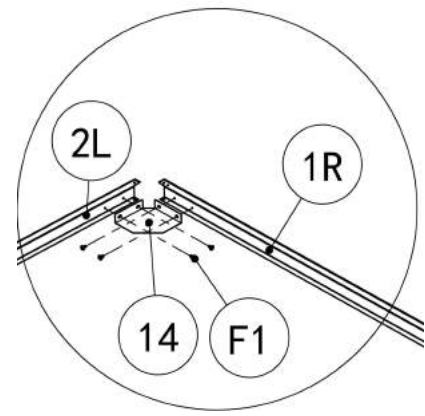
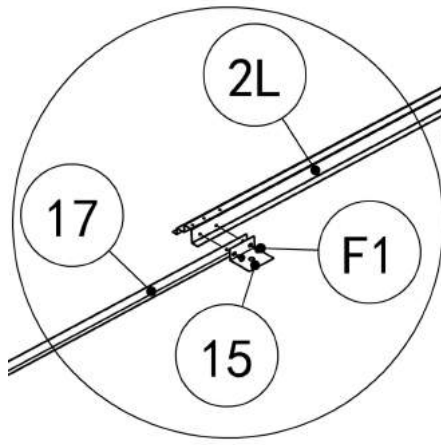
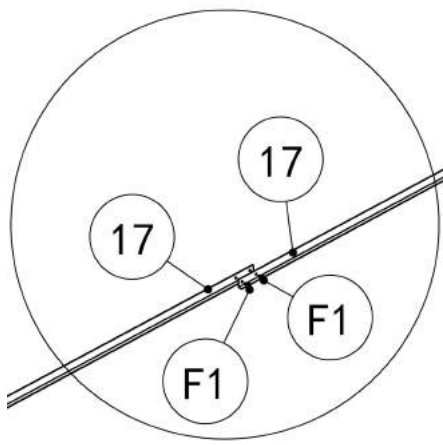


# 1. Base installation

1. Connect 1R, 1M, and 1L with F1 screws, and then install E5 and fix it with F1;
2. Fix 4L and 4R with F1, and then install E5 with F1;
3. Connect 1L, 1M, and 16 with F1, and then install E5 and fix it with F1;
4. Fix 2L, 15,17,2R with F1 connection;
5. Connect 14 with F1 on 4L, 4R, 2L, 2R, 1R, 16,1R, 1L; Fix with GE after confirming the size;

Part	No	Qty	Part	No	Qty	Part	No	Qty
	15	2		14	4		1L	2
	17	2		1R	1		4L	1
	2L	1		E5	5		4R	1
	2R	1		1M	2		GE	11
	F1	30		16	1			





Fix with expansion screws after size confirmation

## 2. Framework installation

1. Install P1 on the base using F1 and F7;
2. Fix P2 with F1 and F7, 9L, 9R, 12L, 12R, and F1;
3. Fix 10L, P1, P3 with F1 and F7; 11R, P1, P3 are fixed with F1 and F7.

Install 21 onto 2L and secure with F1;  
Use F1 to install 20 and 21,  
then install 13L onto 20 and secure with F1 and F7.

Fix 10R, P1 and P3 on the other side with F1 and F7;  
11L, P1, P3 are fixed with F1 and F7.  
Install 21 onto 2R and fix it with F1; Use F1 fix 20 and 21,  
Then install 13R onto 20 and secure with F1 and F7.

4. Connect 10L, 10M, 10R, 11L, 11M, 11R, A3,19 with E10 and secure with F1.
5. Connect A2L and A2R into a straight line, with the A1 opening relatively buckled in.



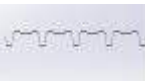





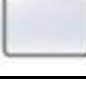














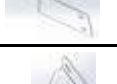






The side with more holes facing upwards, and the side with less holes fixed with F1; After assembly, connect the 21 with F1.

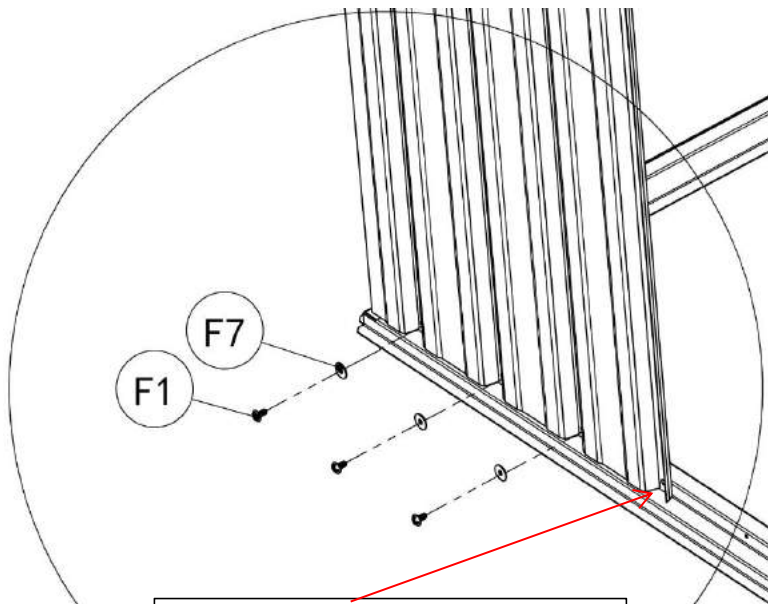
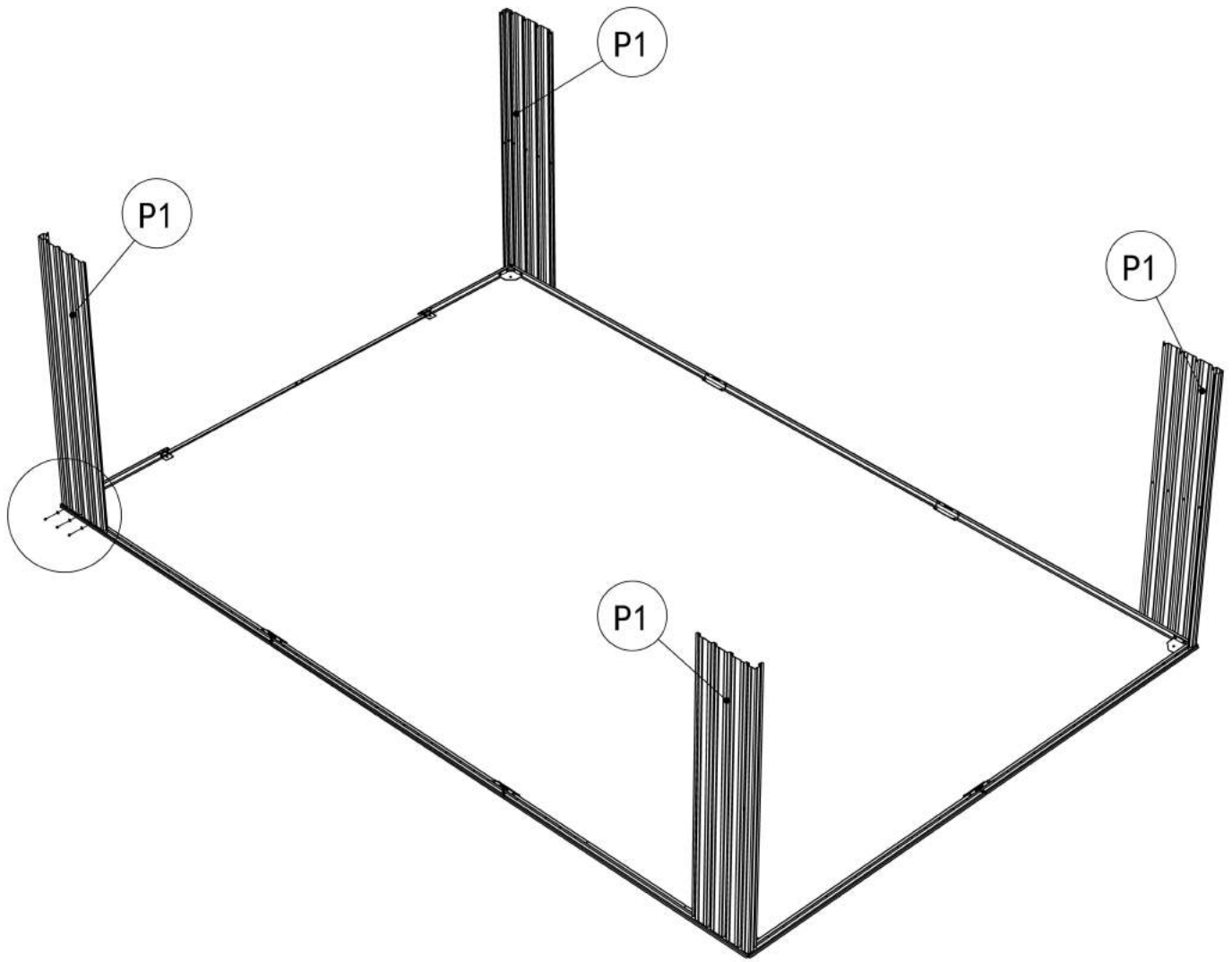
6. First, fix E1 and E2 with F2 and F6 to form a pair.

Then install E9, fix with F2 and F6, install E7, fix with F2 and F6;  
Install E8 onto E5, secure with F1, then install E4, secure with F2 and F6;

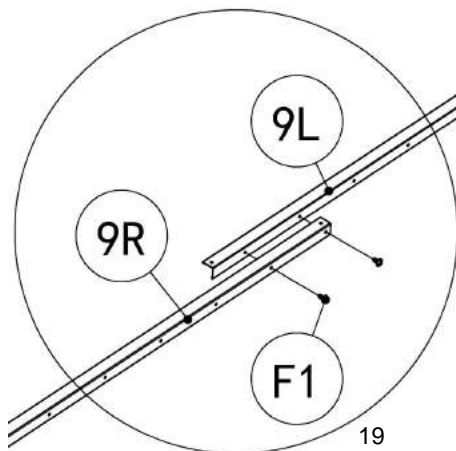
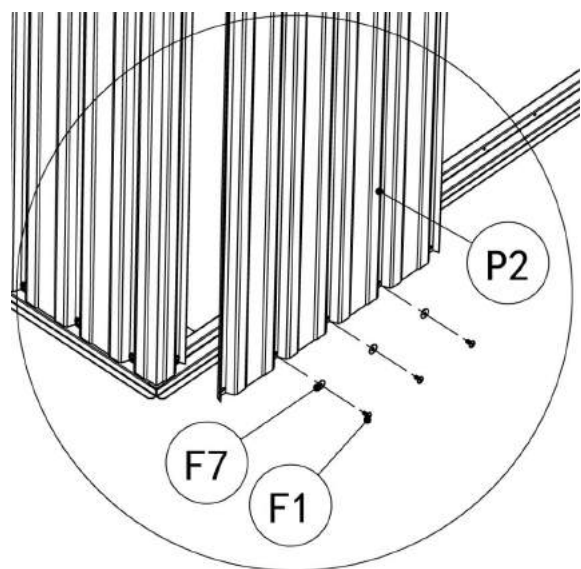
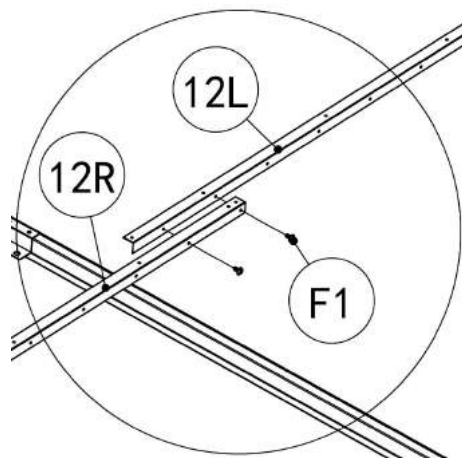
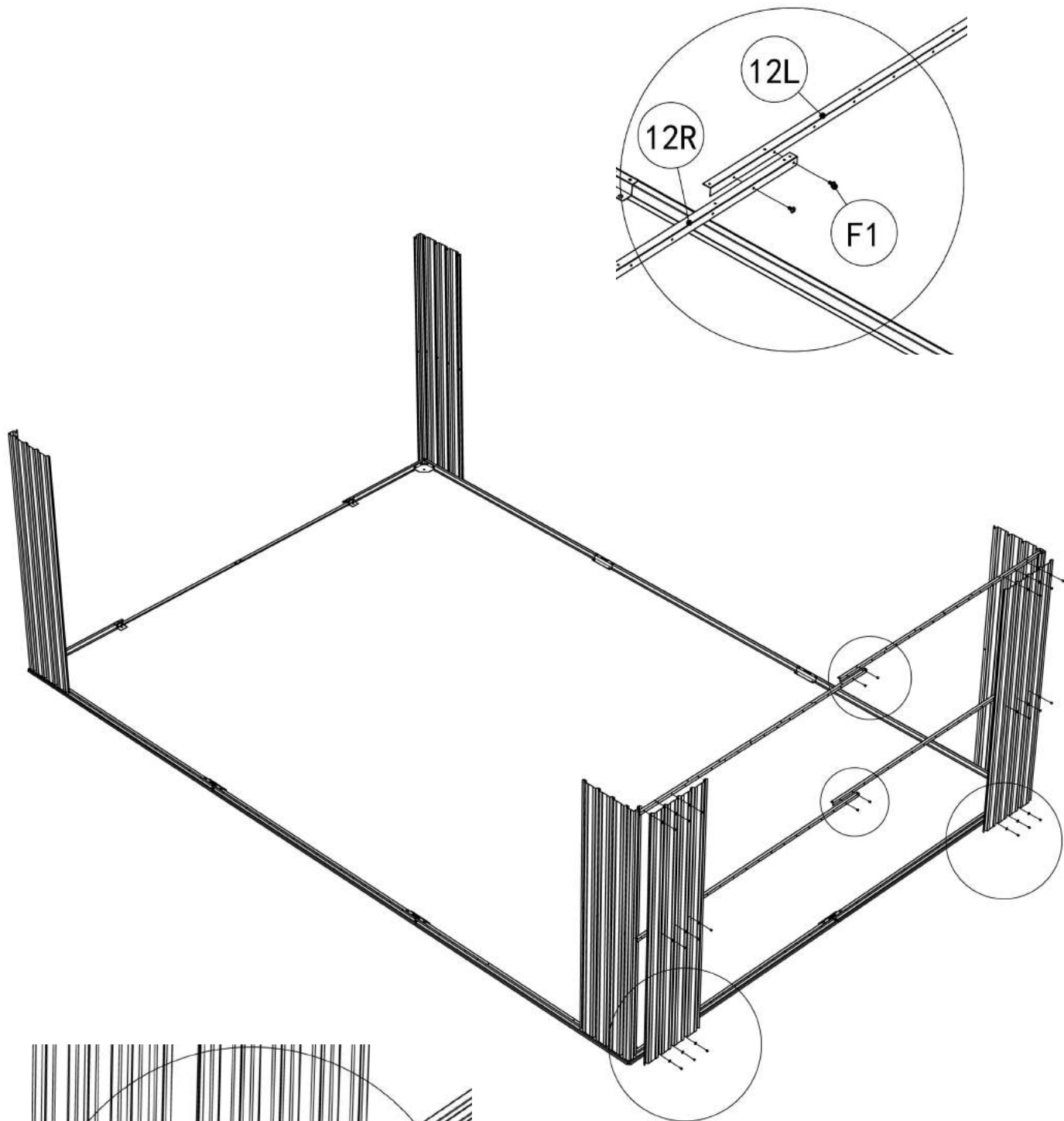
Connect E2 to E5, secure with F2 and F6, and secure E4, E1 and E2 with F2 and F6.

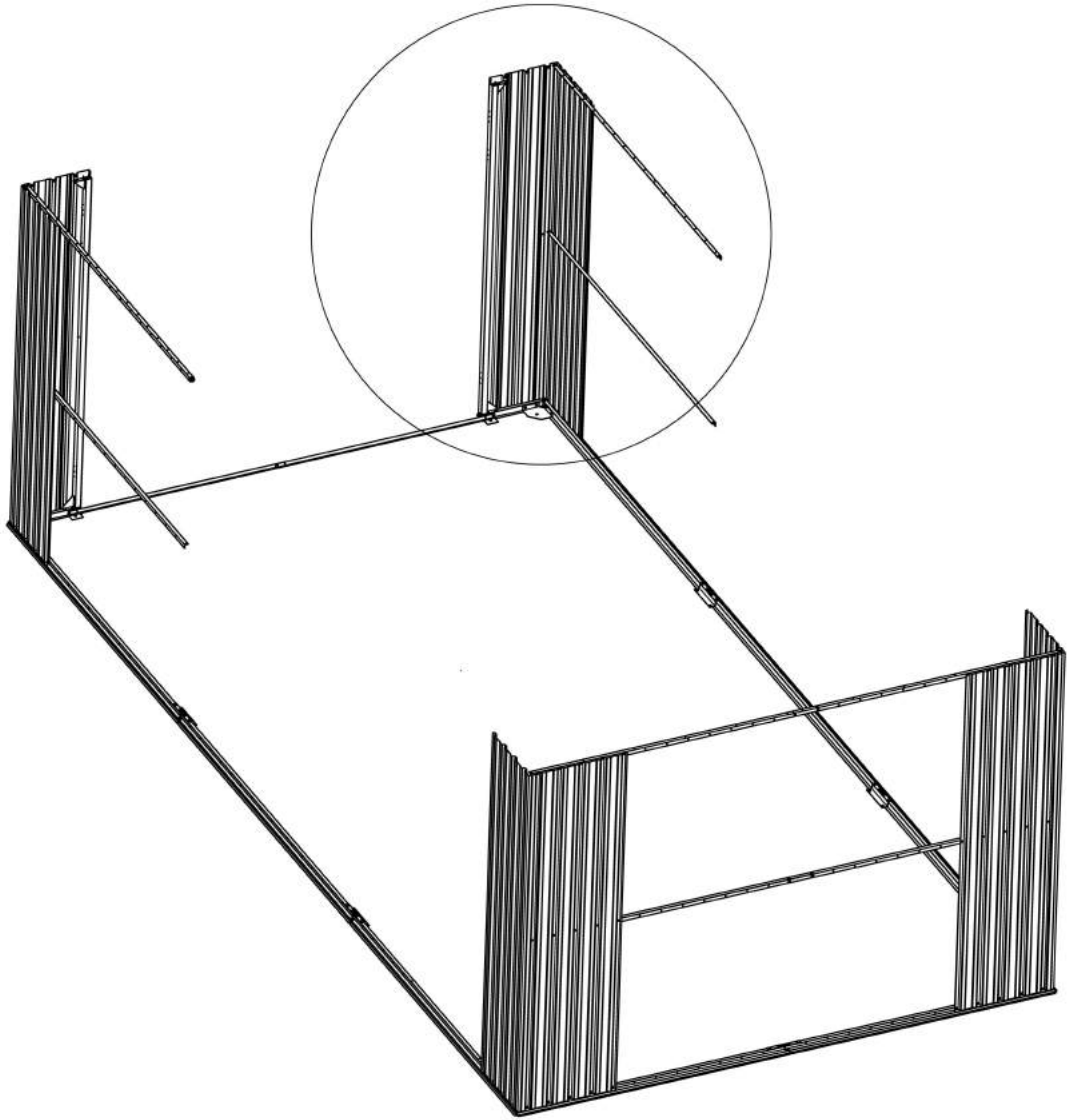


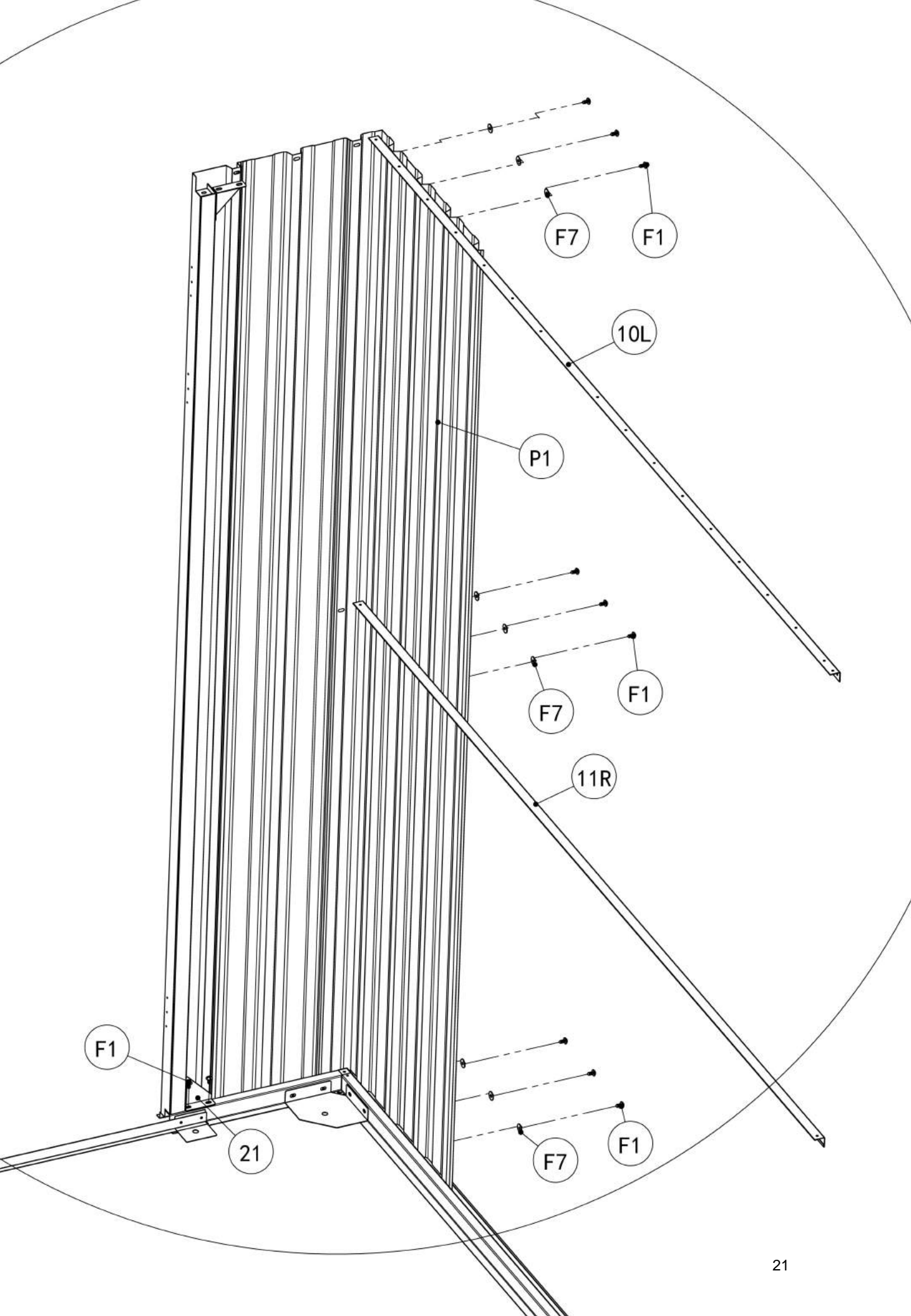
Part	No	Qty	Part	No	Qty	Part	No	Qty
	P1	4		22R	1		E1	4
	P2	2		A2L	1		E2	4
	12R	1		A2R	1		F1	172
	12L	1		A1	1		F7	78
	9R	1		10M	2		F2	52
	9L	1		11M	2		F6	64
	10L	1		ABR	2		F16	12
	10R	2		ABM	2			
	11L	2		E8	4			
	11R	1		E3	4			
	P3	2		21	4			
	E10	24		ABL	2			
	A3	1		E9	2			
	19	1		E4	4			
	20	2		E5	4			

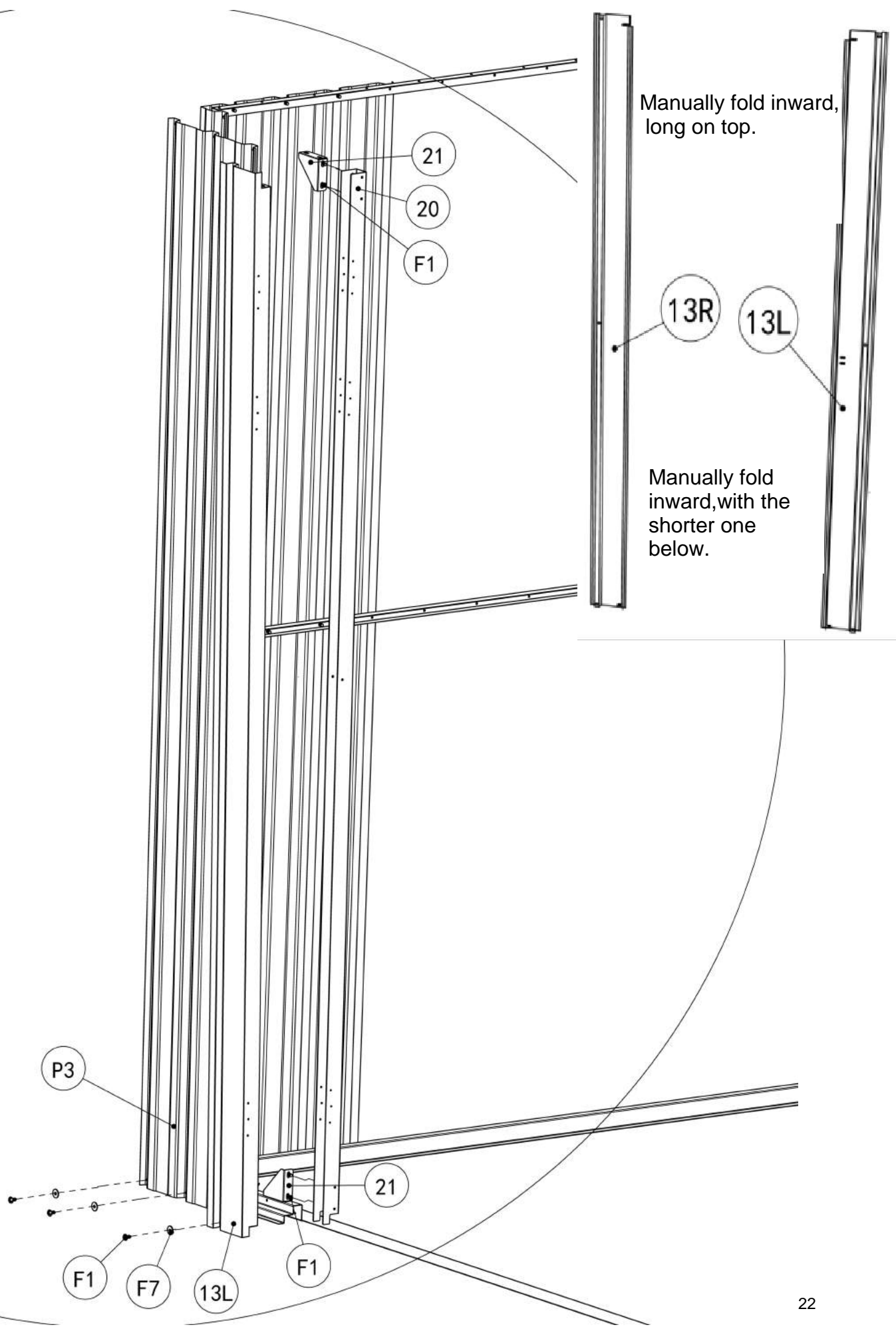


Note:F1 and F7 will not be installed at the overlap of the panel temporarily.



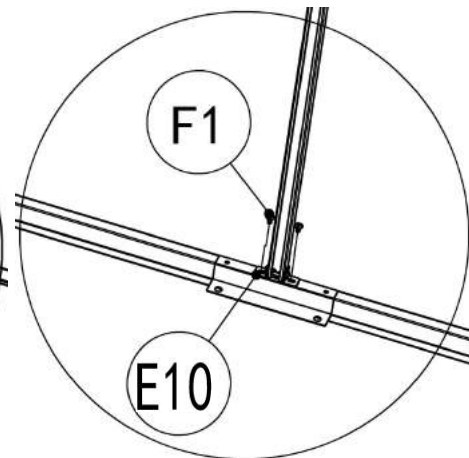
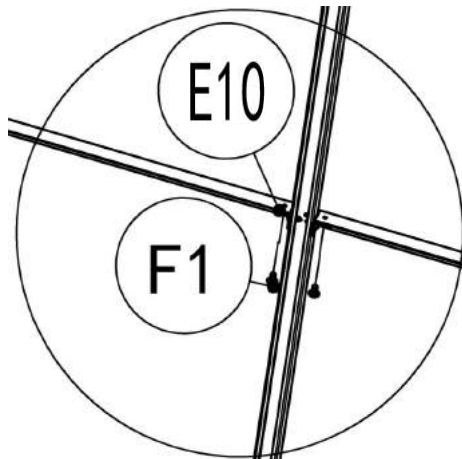
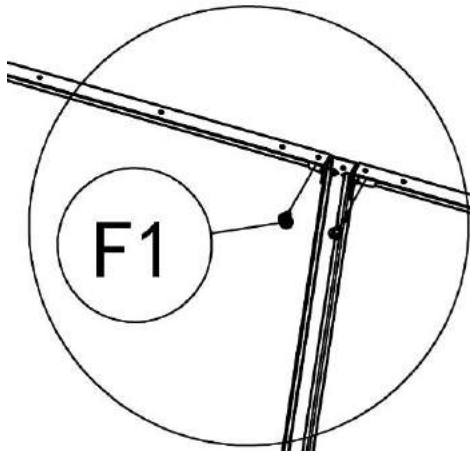
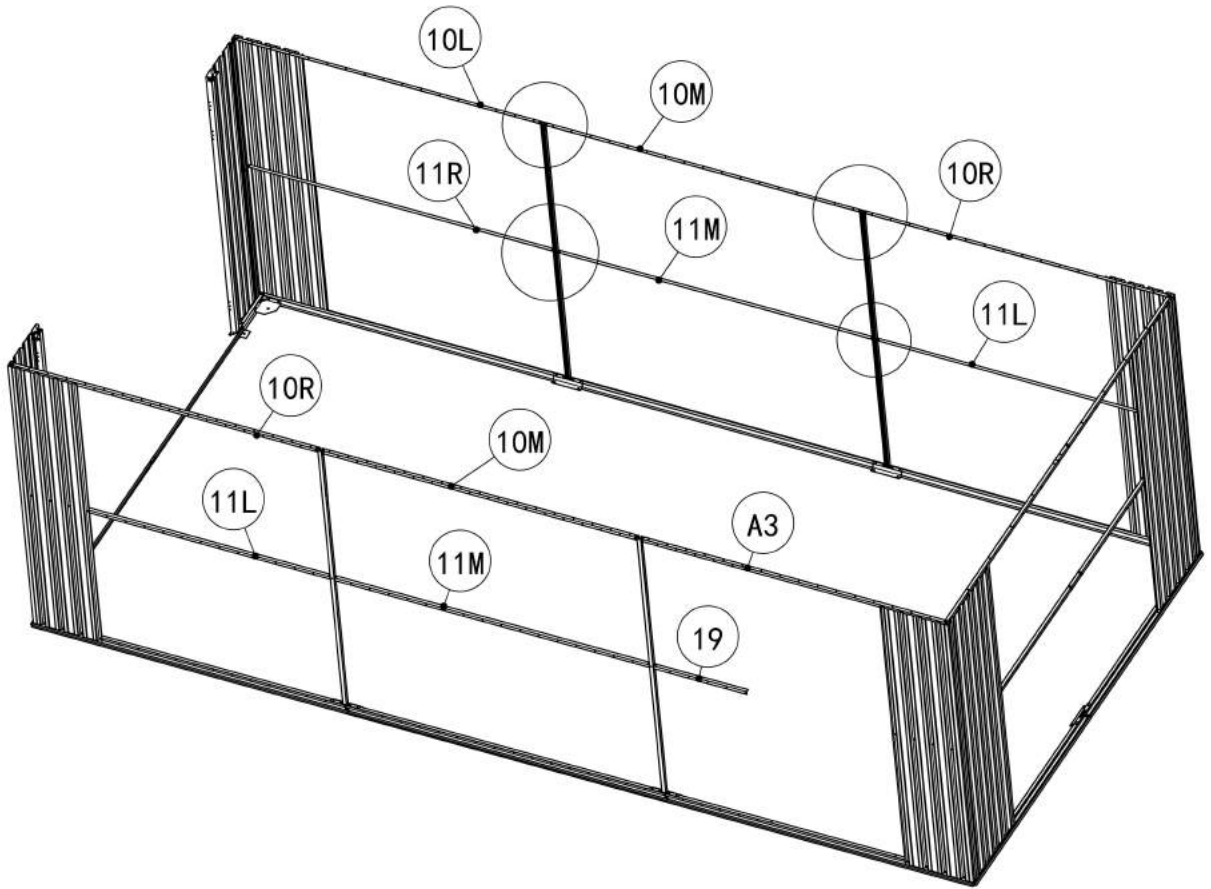
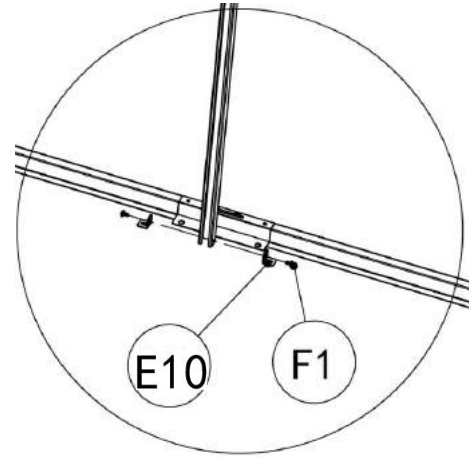
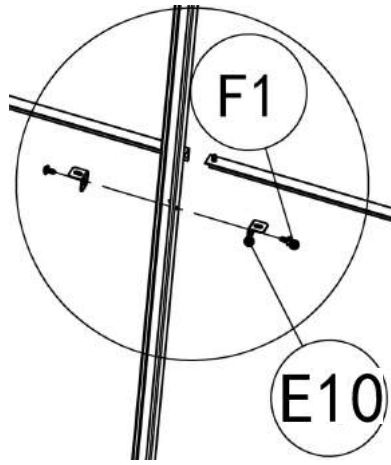
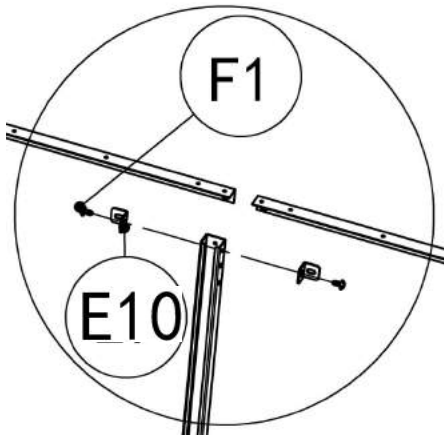


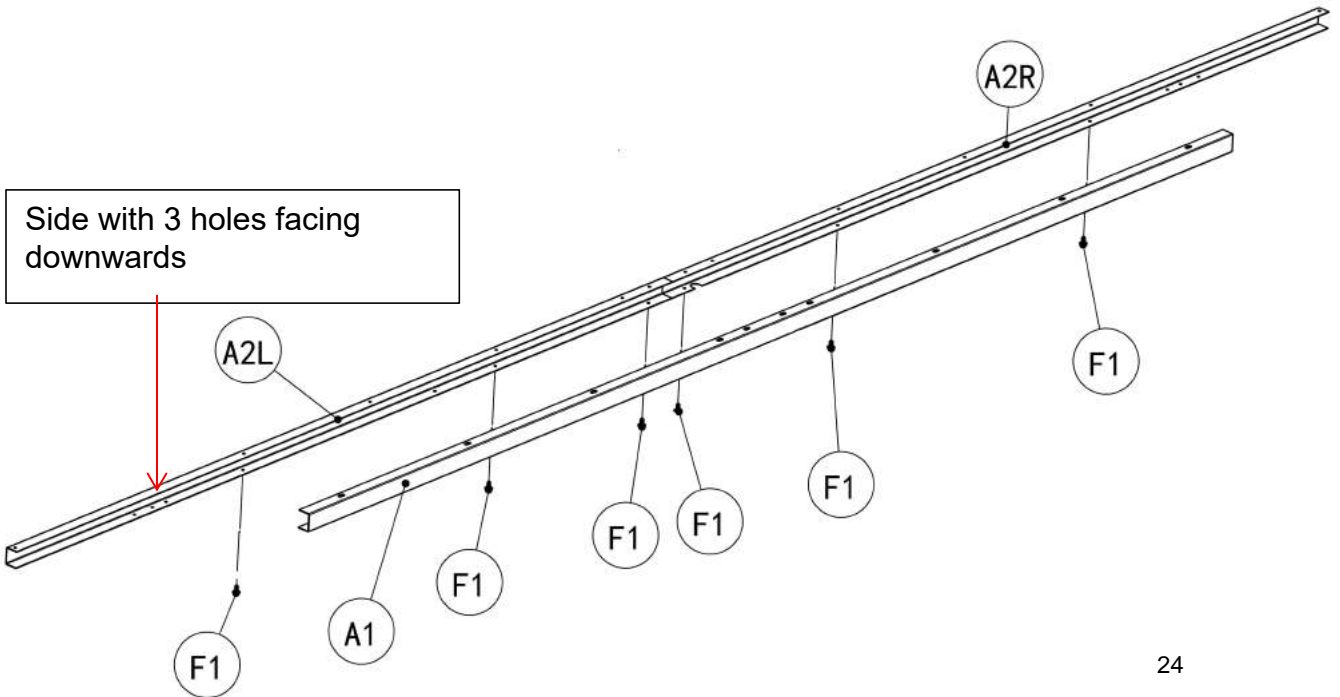
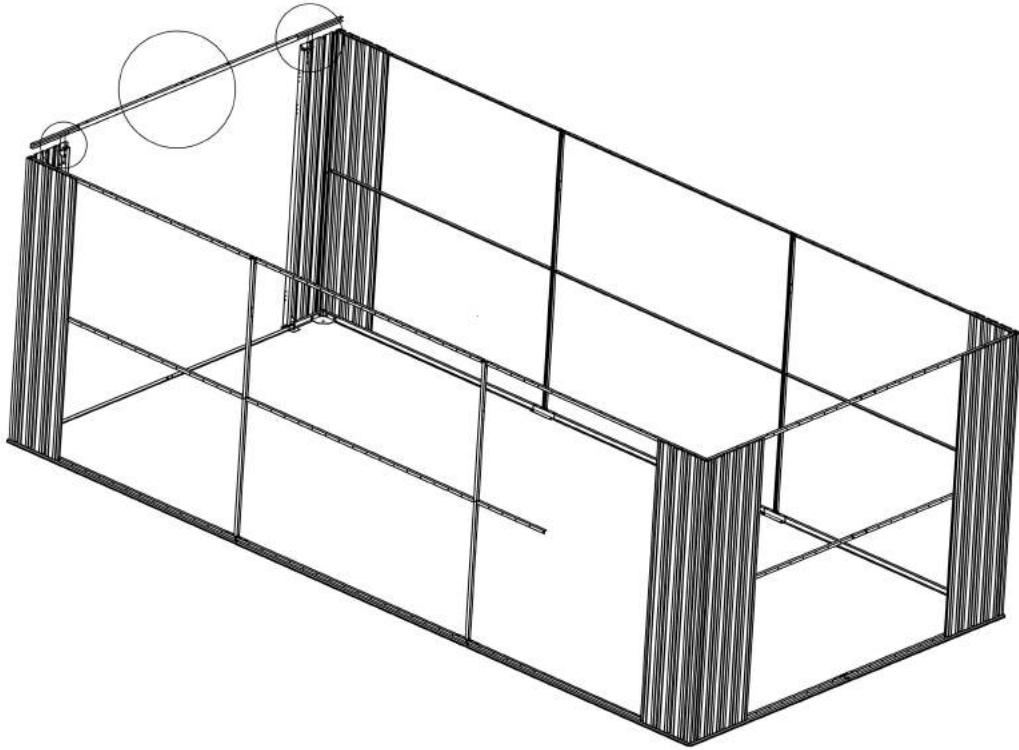
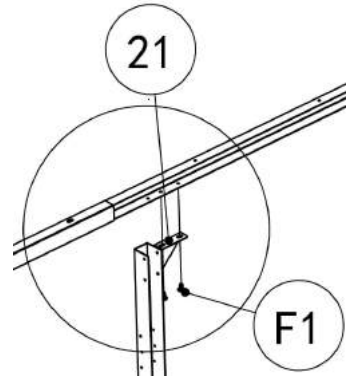
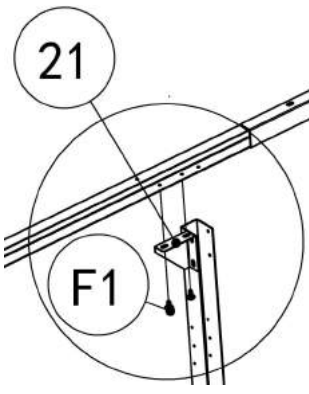




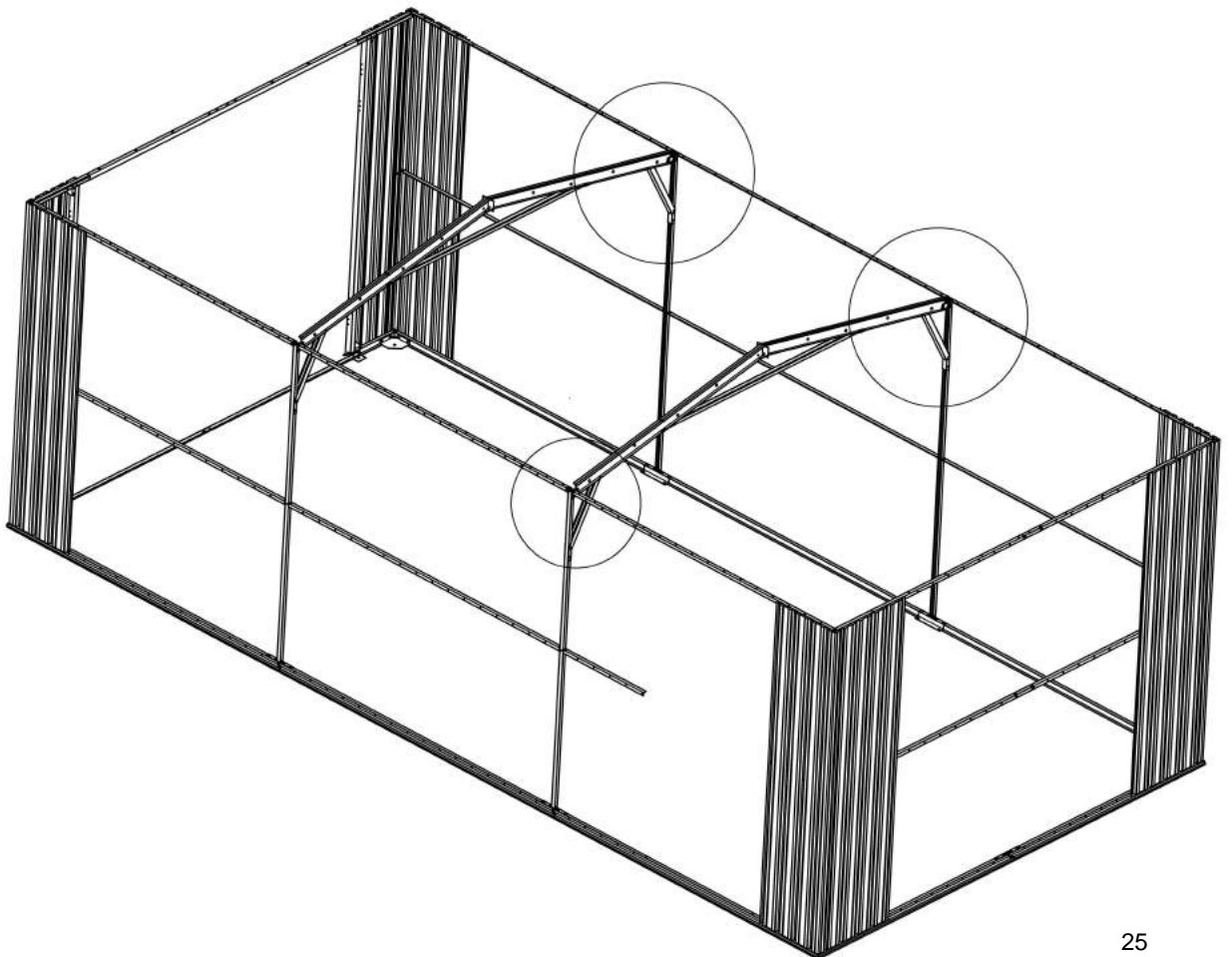
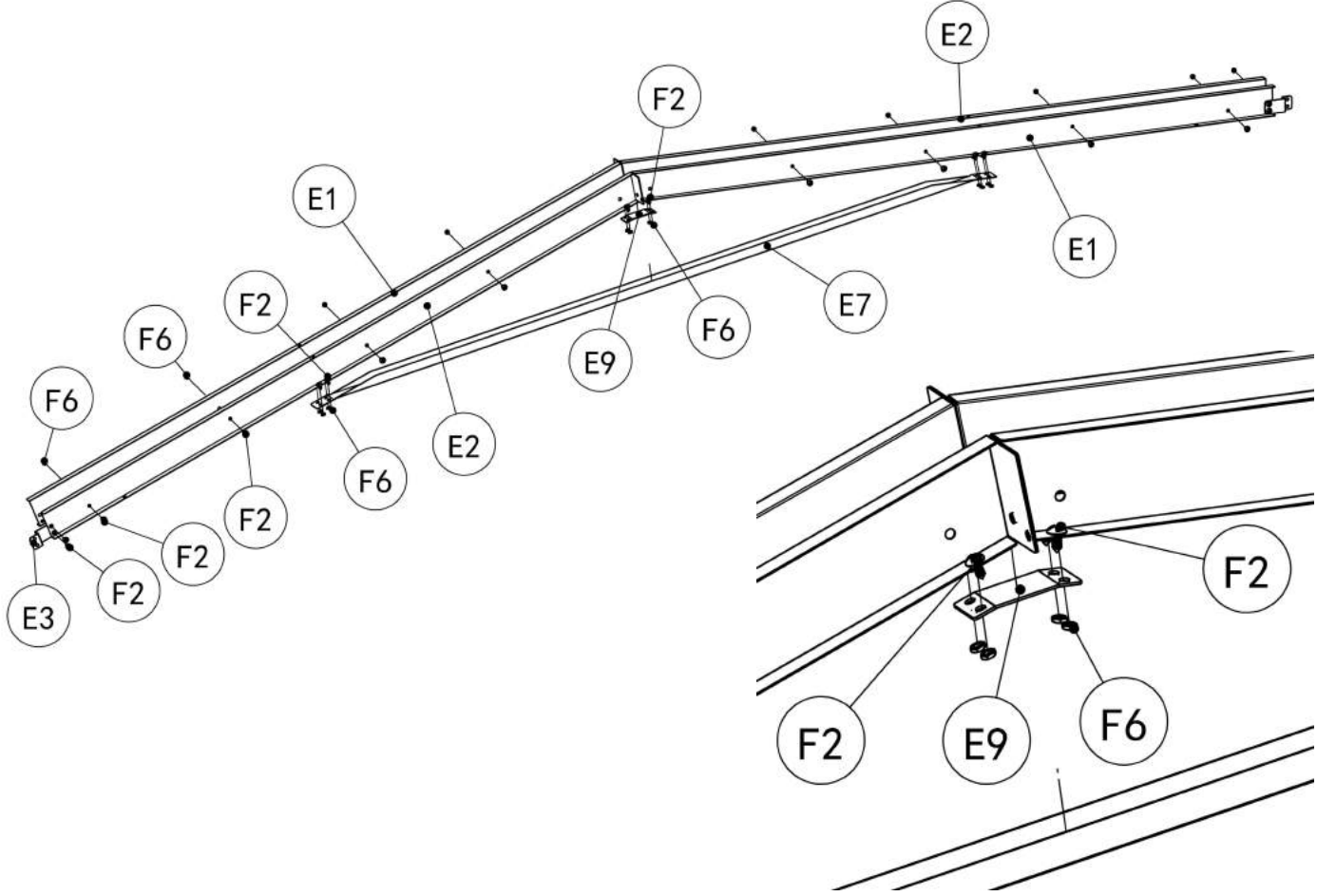
Manually fold inward,  
long on top.

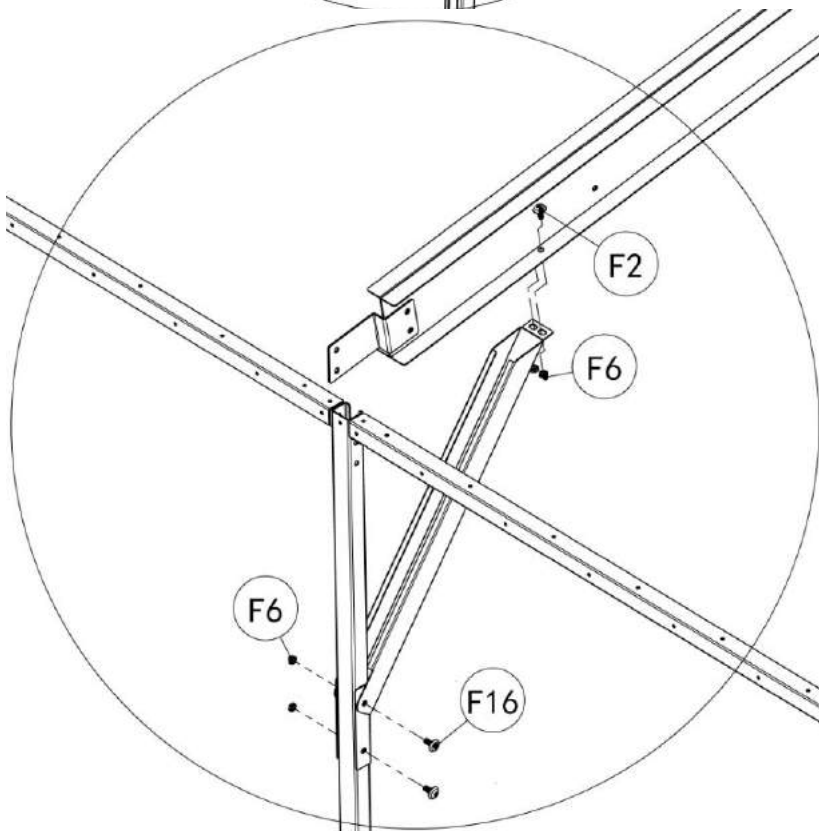
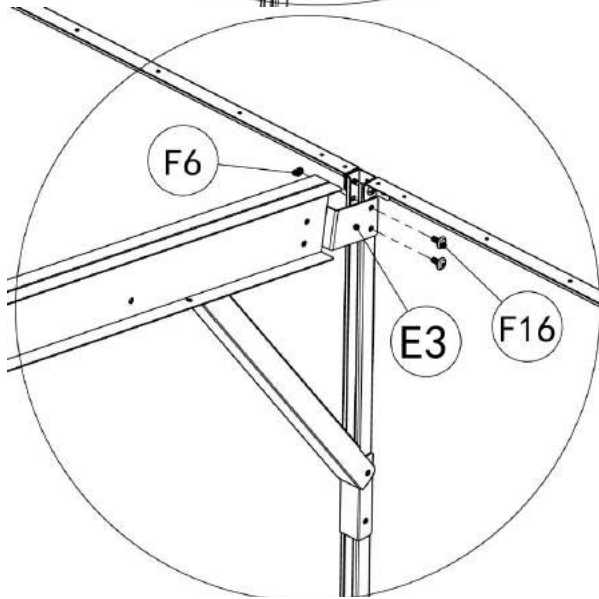
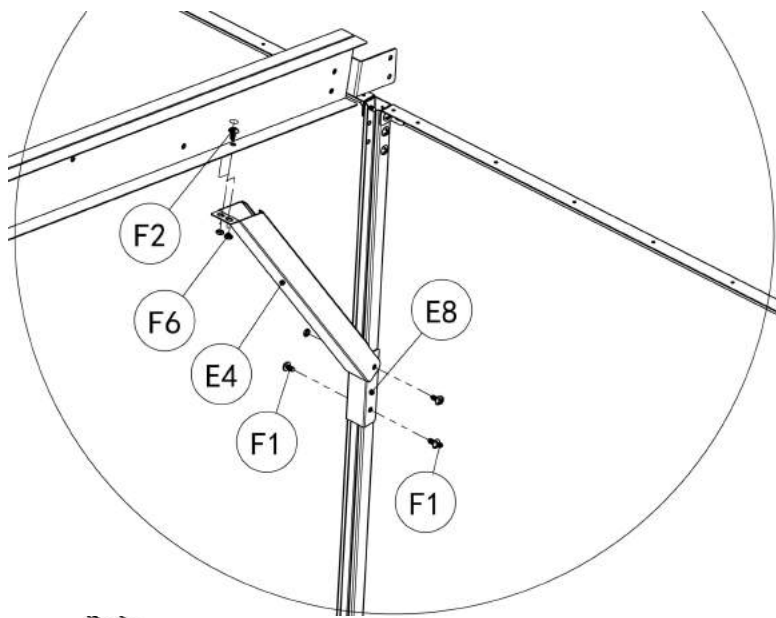
Manually fold  
inward, with the  
shorter one  
below.











### 3. Roof Frame Installation

1. PL clamp APR and APL, connect and fix them with F2 and F6, and install the components onto A2L, A2R, A1 and fix them with F1;

2. Fix ABR and ABL with F2 and F6, then insert them diagonally into APR and APL, mount them on PL, fix them with F2 and F6, and then connect the other end into slots E1 and E2, and fix them with F2 and F6.

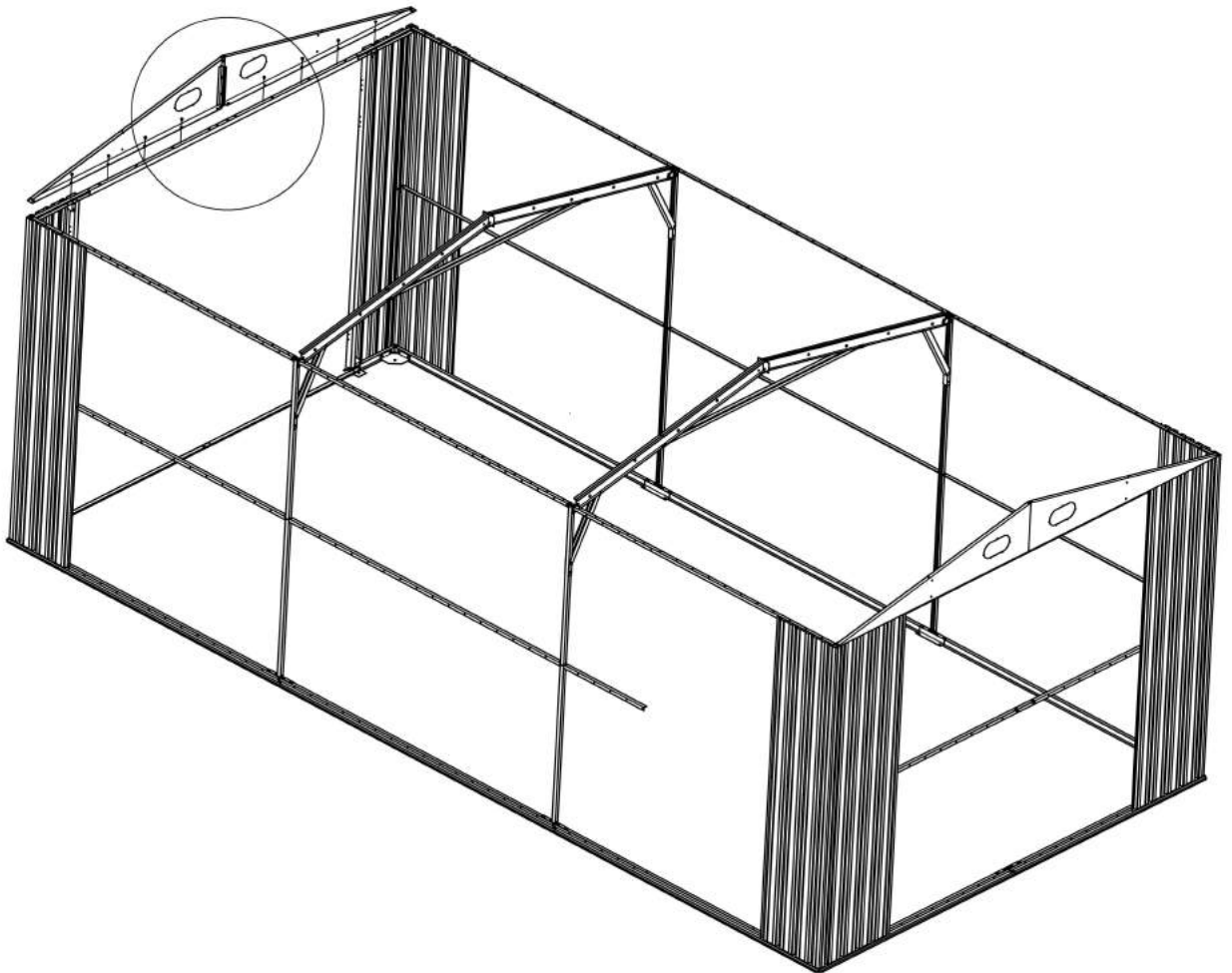
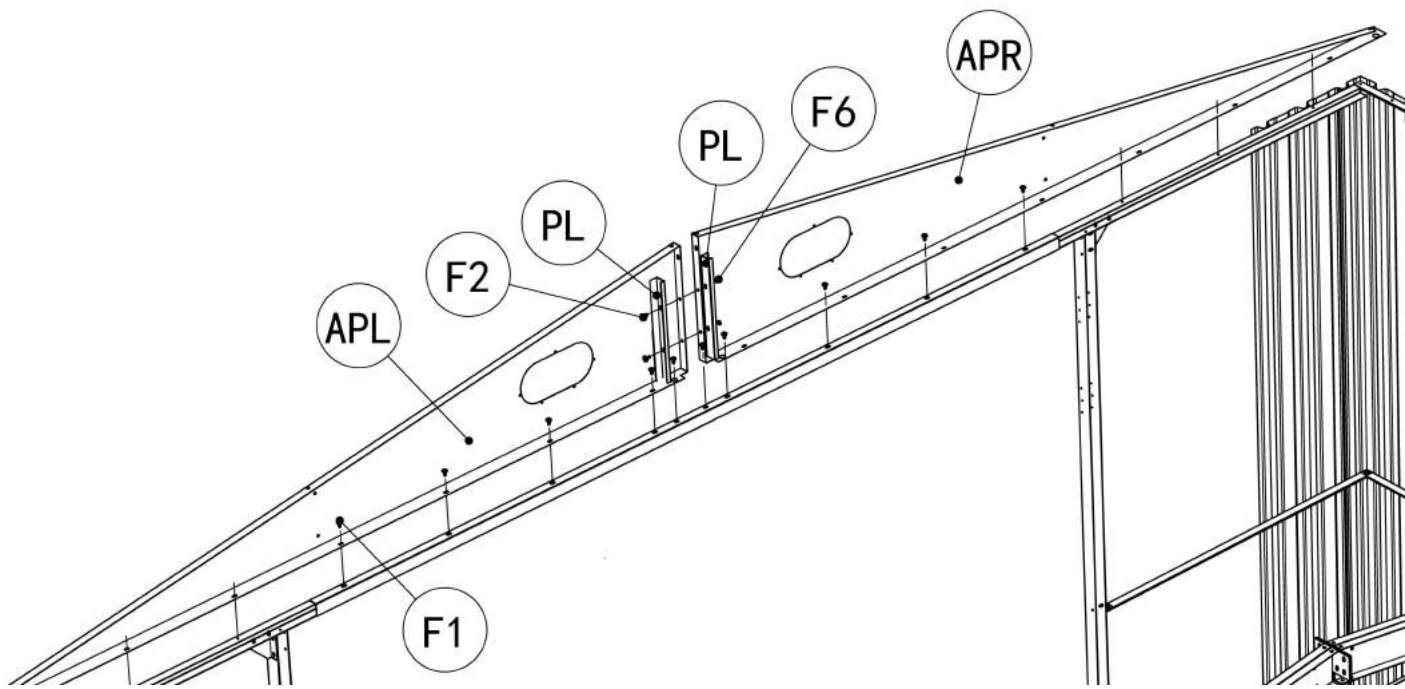
Fix CL, CR, C2, C3 with F2 and F, and fix the other end of CL, CR, E1, E2 with F2 and F6;

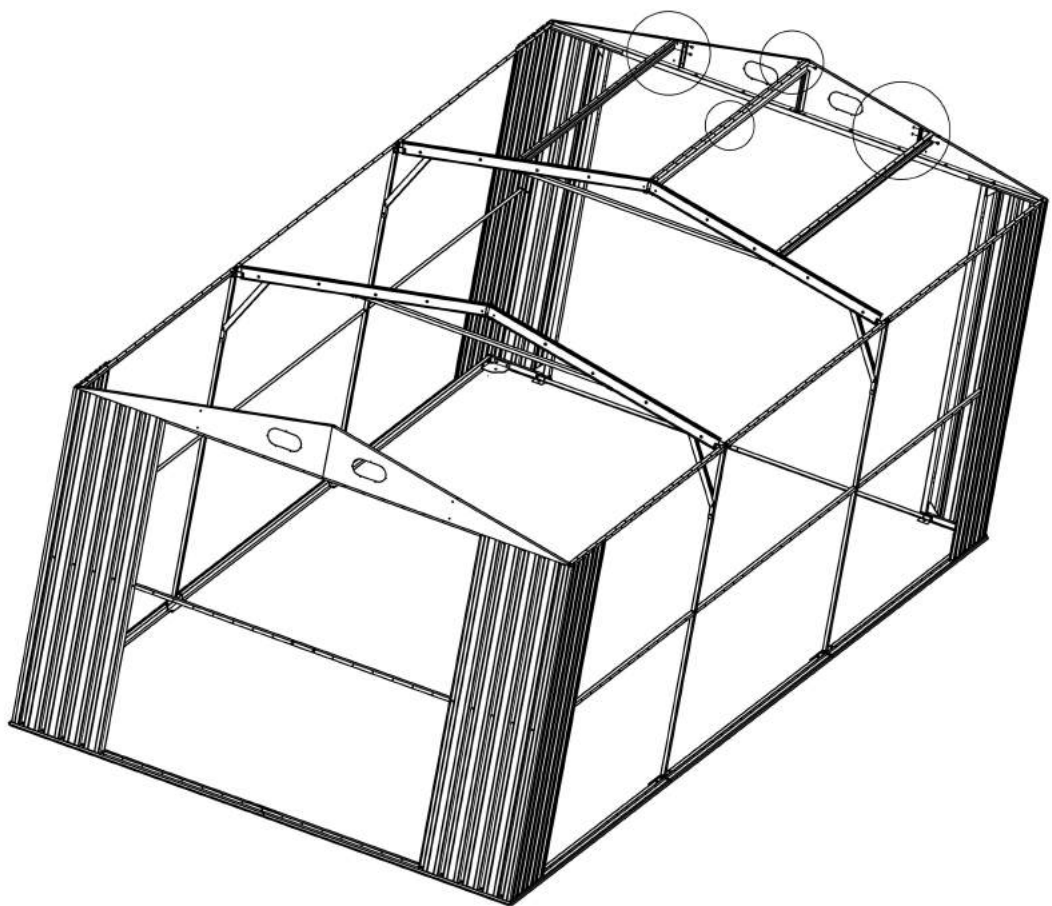
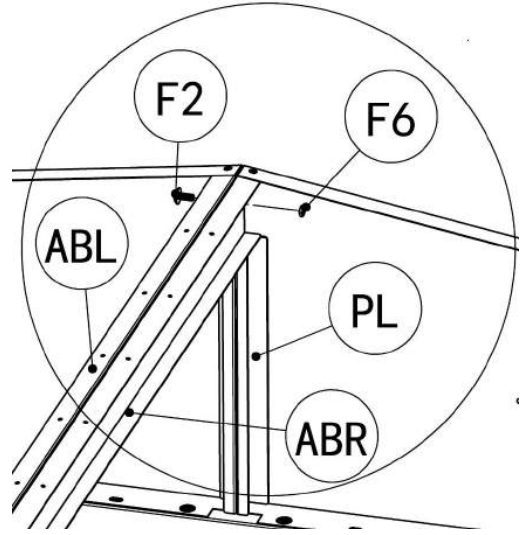
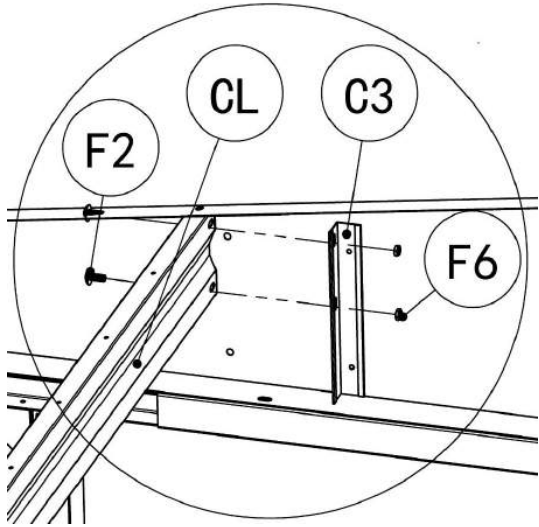
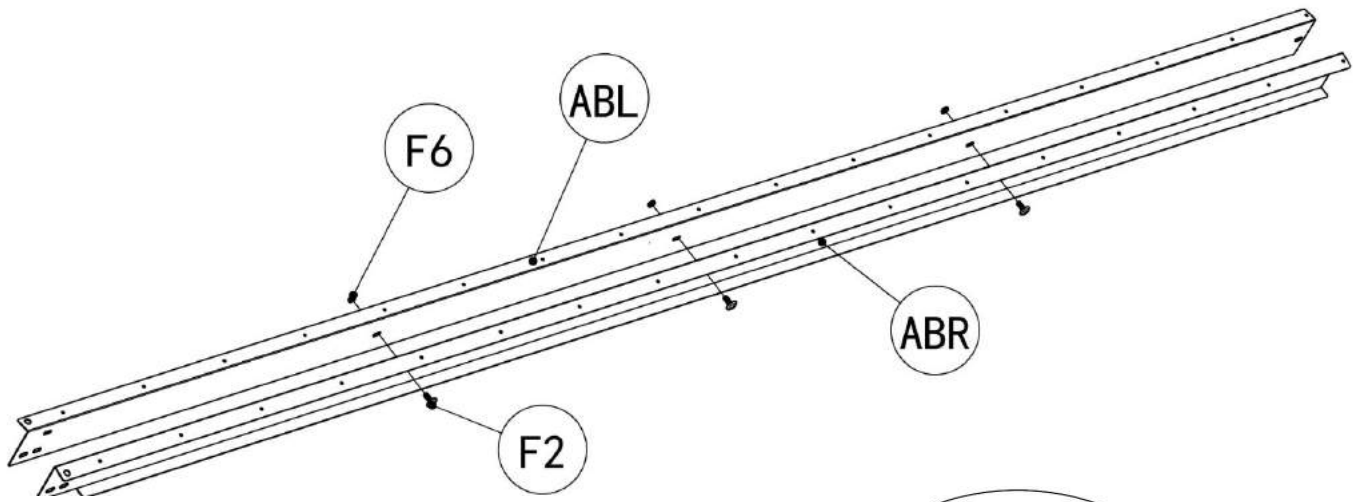
3. Fix the two ABMs with F2 and F6, place them in the E1 and E2 card slots from top to bottom, and fix them with F2 and F6. Fix CM with E1 and E2 using F2 and F6;

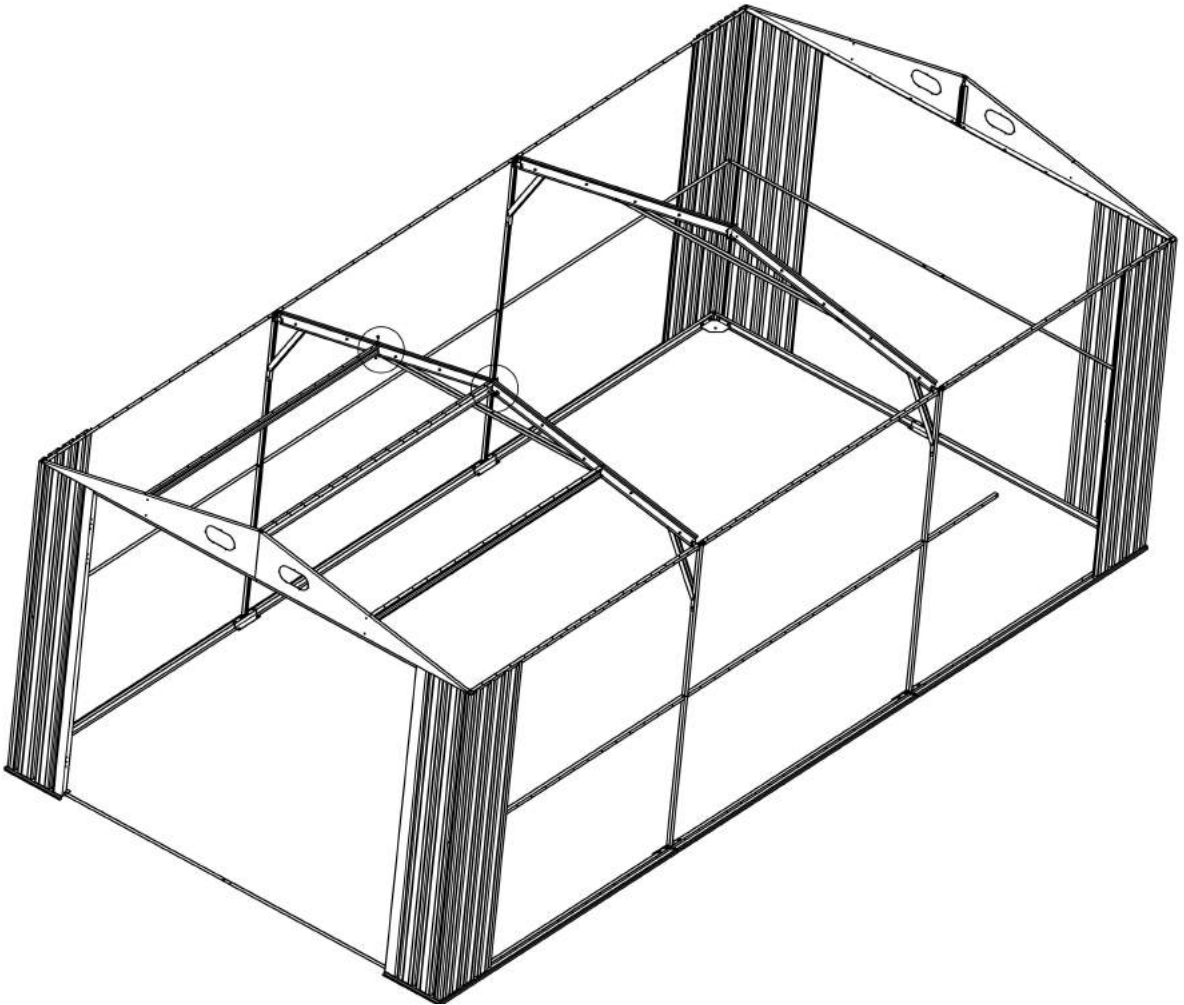
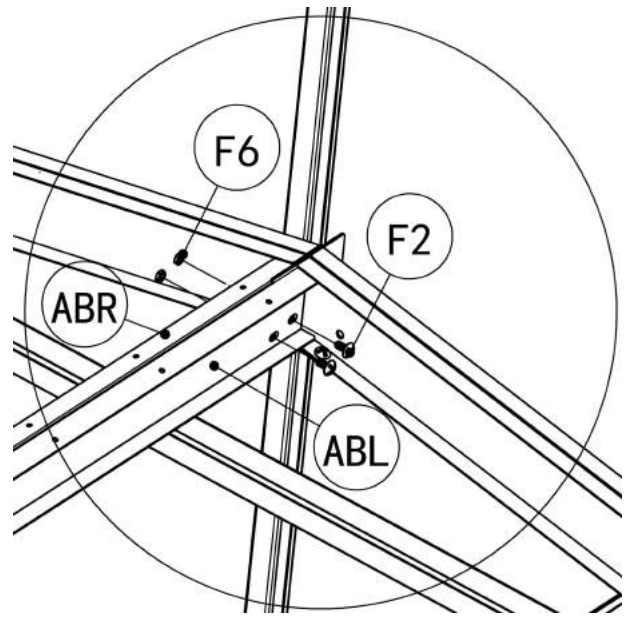
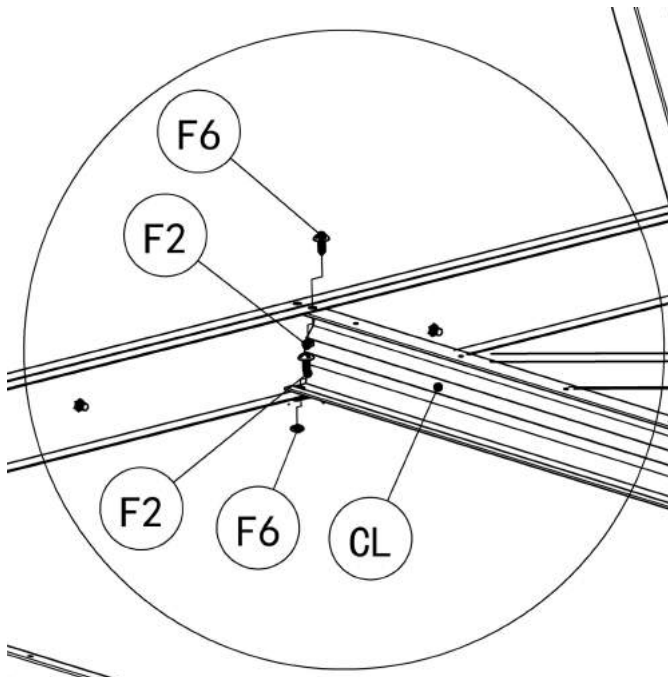
4. Fix ABR and ABL with F2 and F6, then insert them diagonally into APR and APL, mount them on PL, fix them with F2 and F6, and then connect the other end into slots E1 and E2, and fix them with F2 and F6.

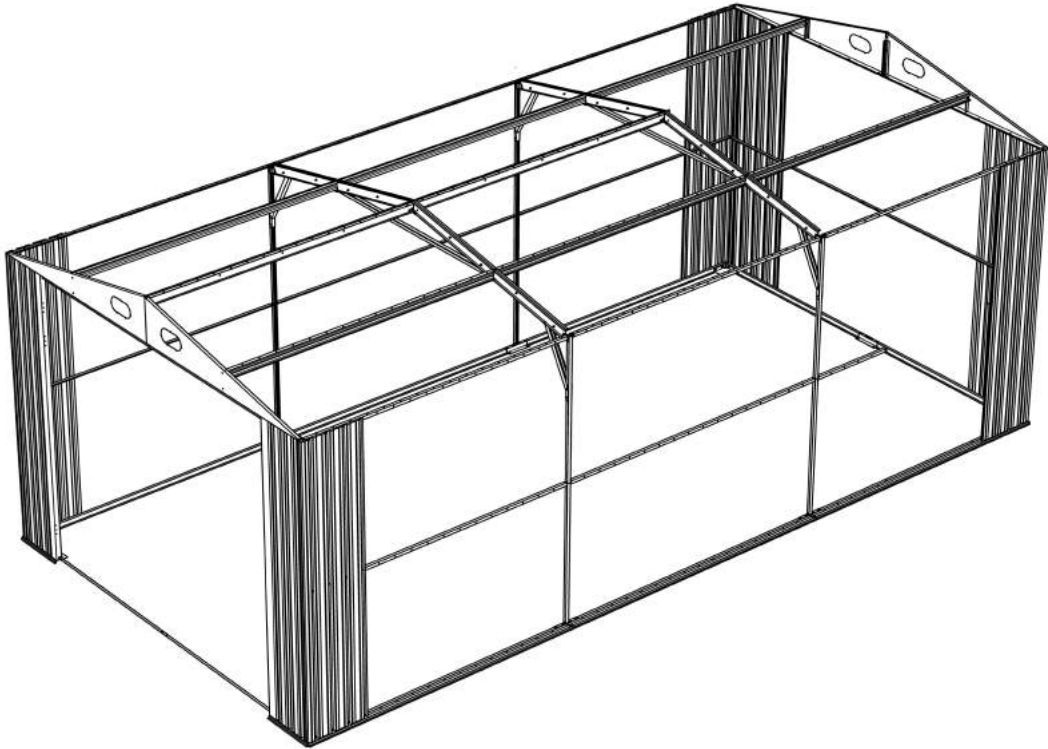
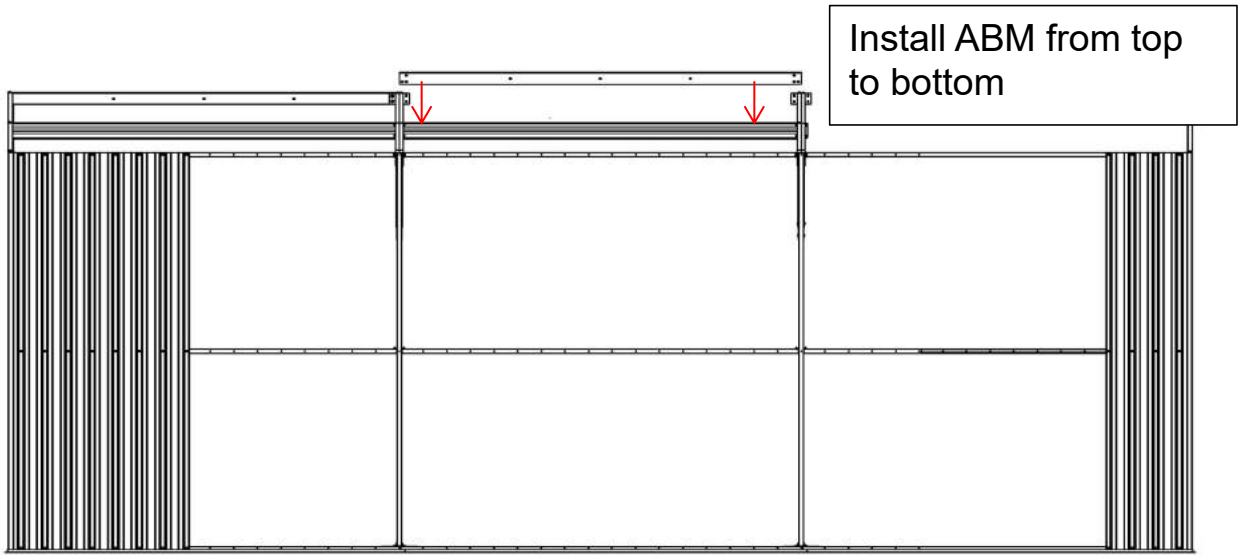
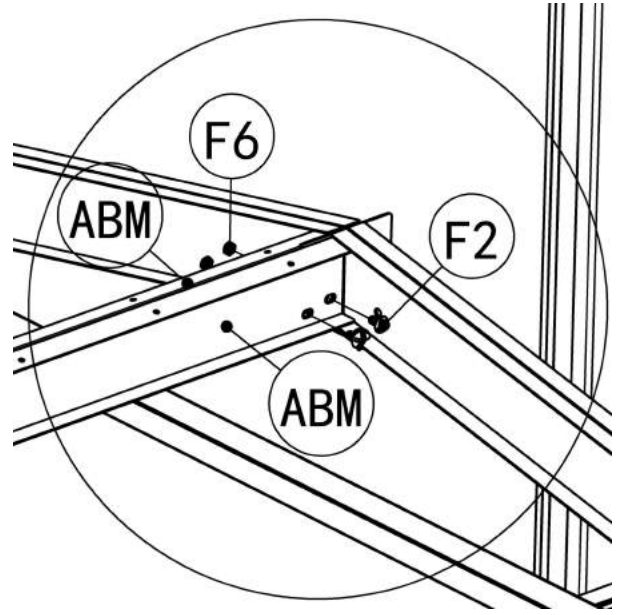
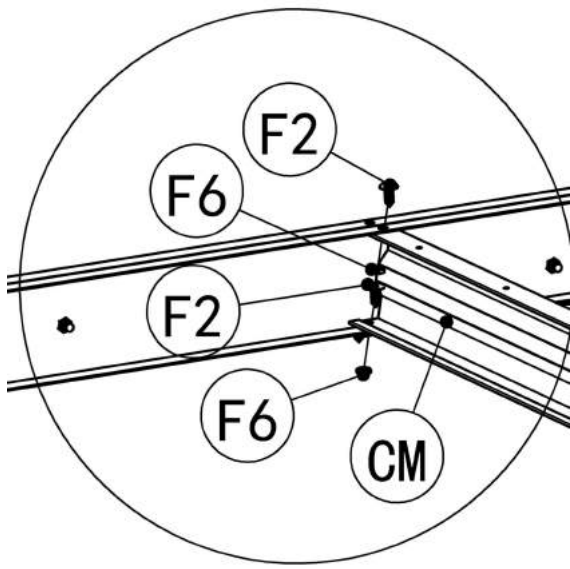
Fix CL, CR, C2, C3 with F2 and F, and fix the other end of CL, CR, E1, E2 with F2 and F6;

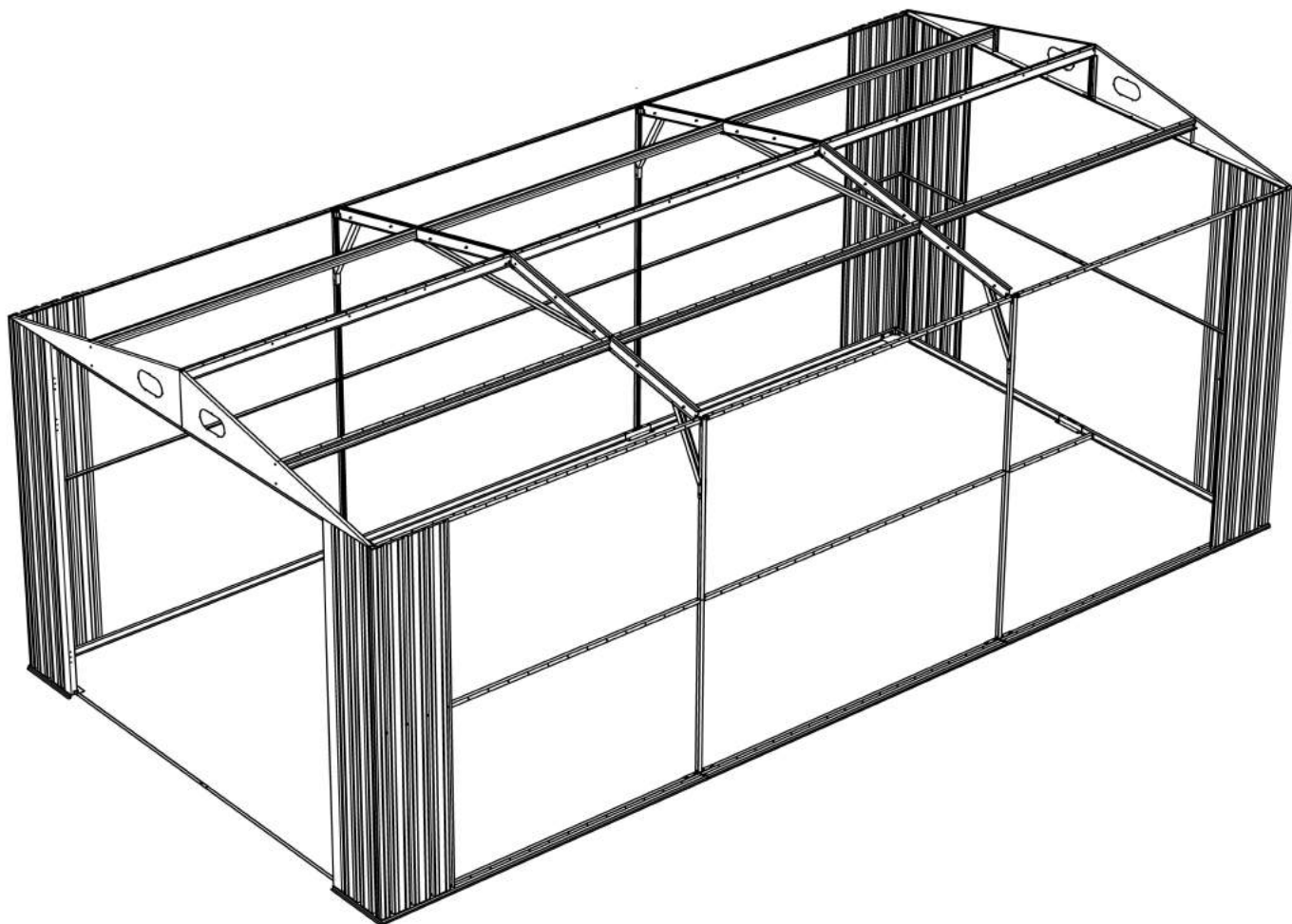
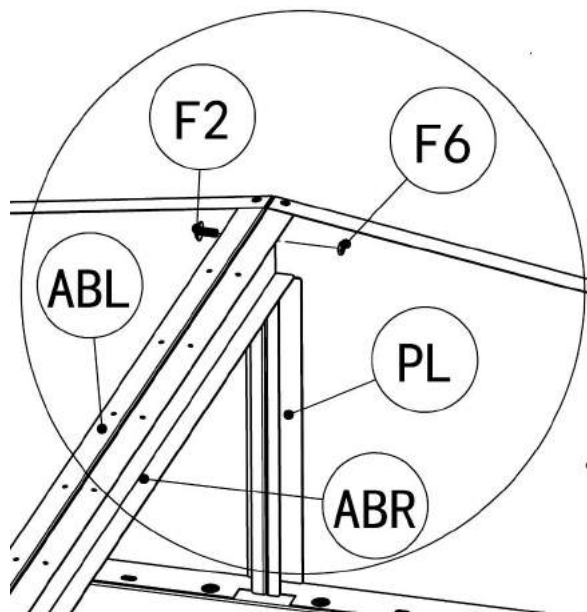
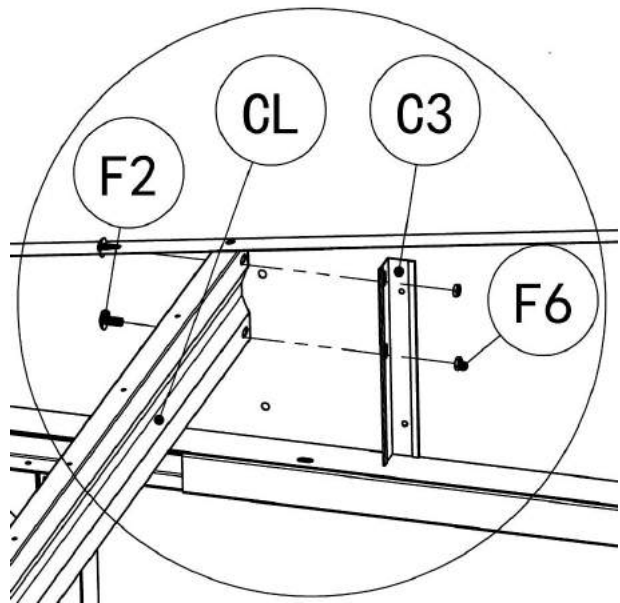
Part	No	Qty	Part	No	Qty	Part	No	Qty
	APL	2		ABL	2		CL	2
	APR	2		ABR	2		CR	2
	PL	4		ABM	2		CM	2
	C2	2		F2	73		F1	16
	C3	2		F6	73			




















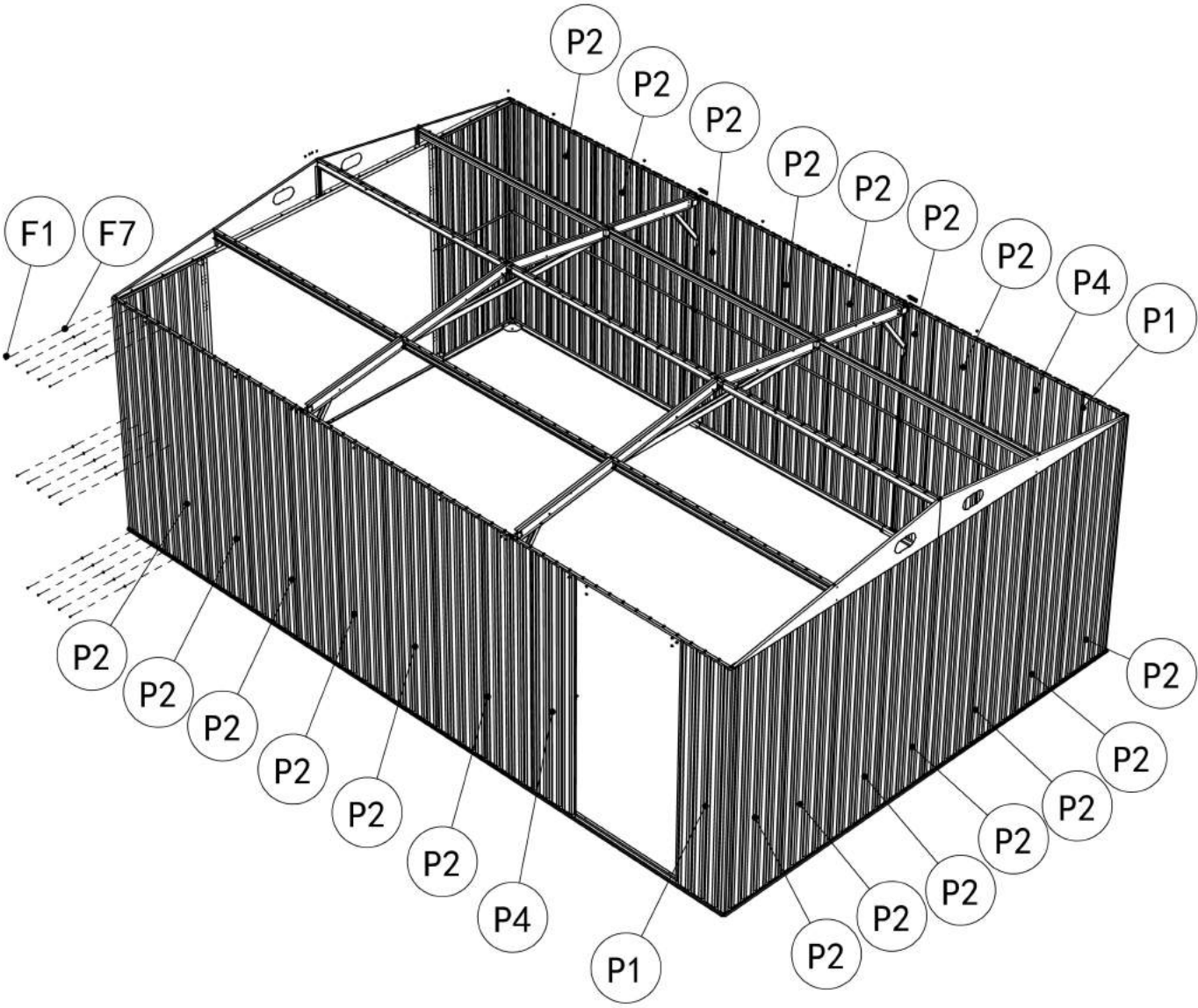


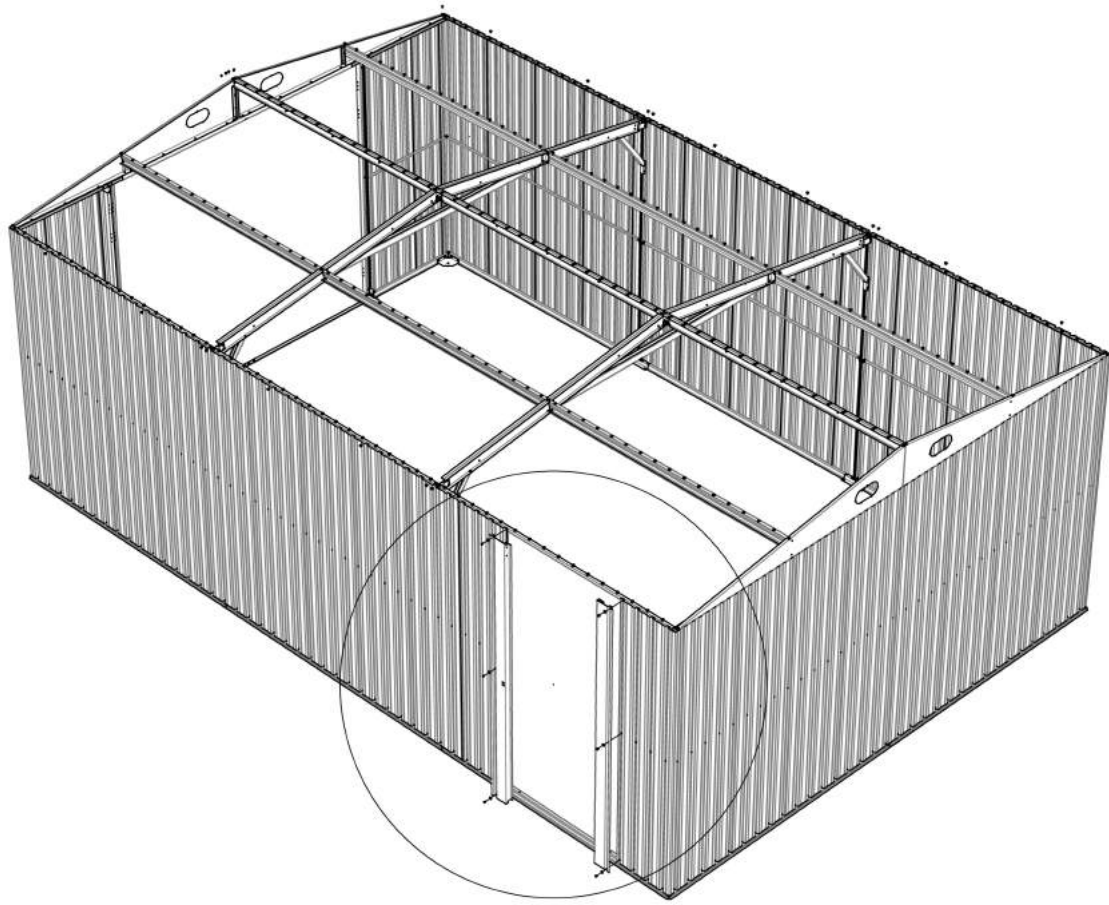
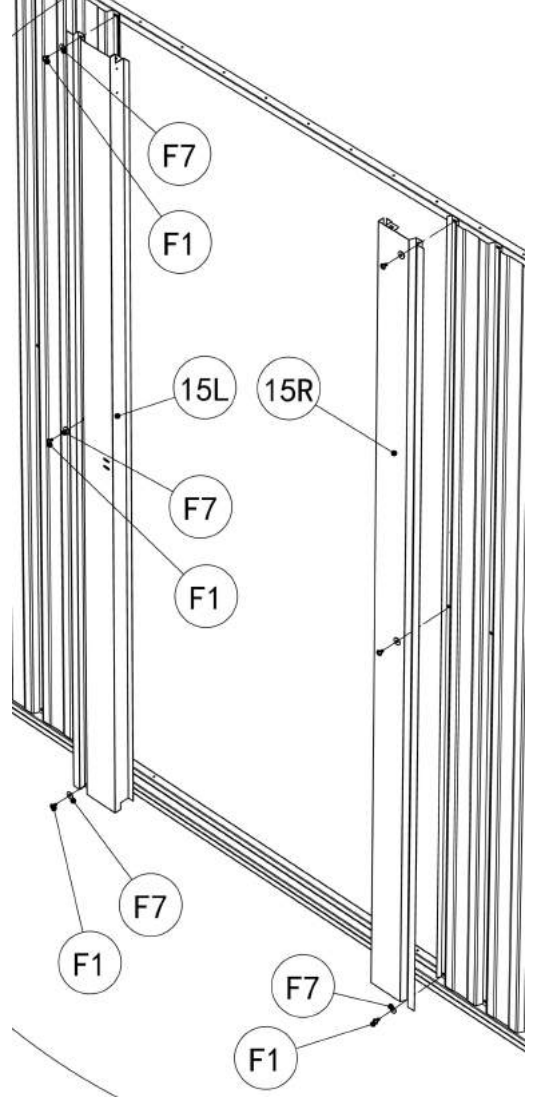
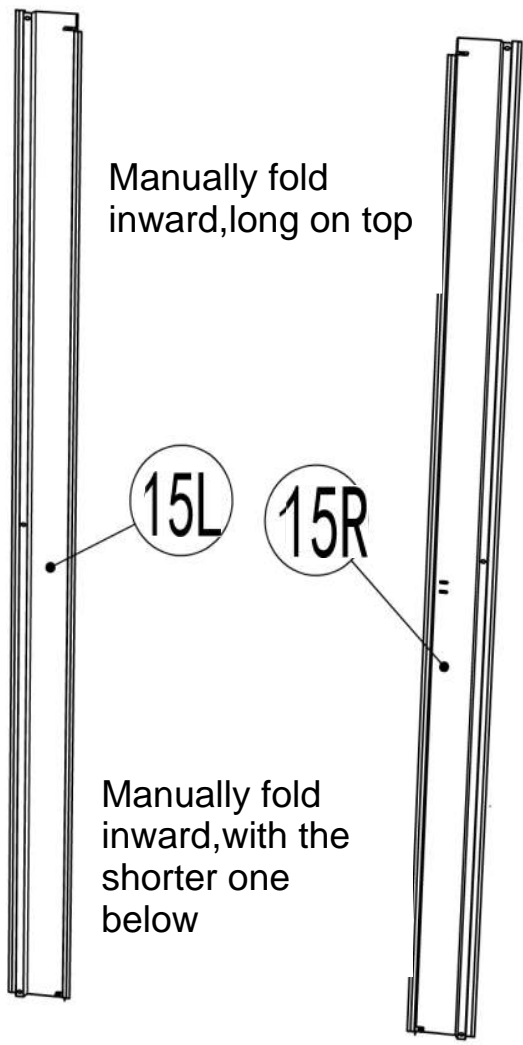
## 4. Wall Panel Assembly

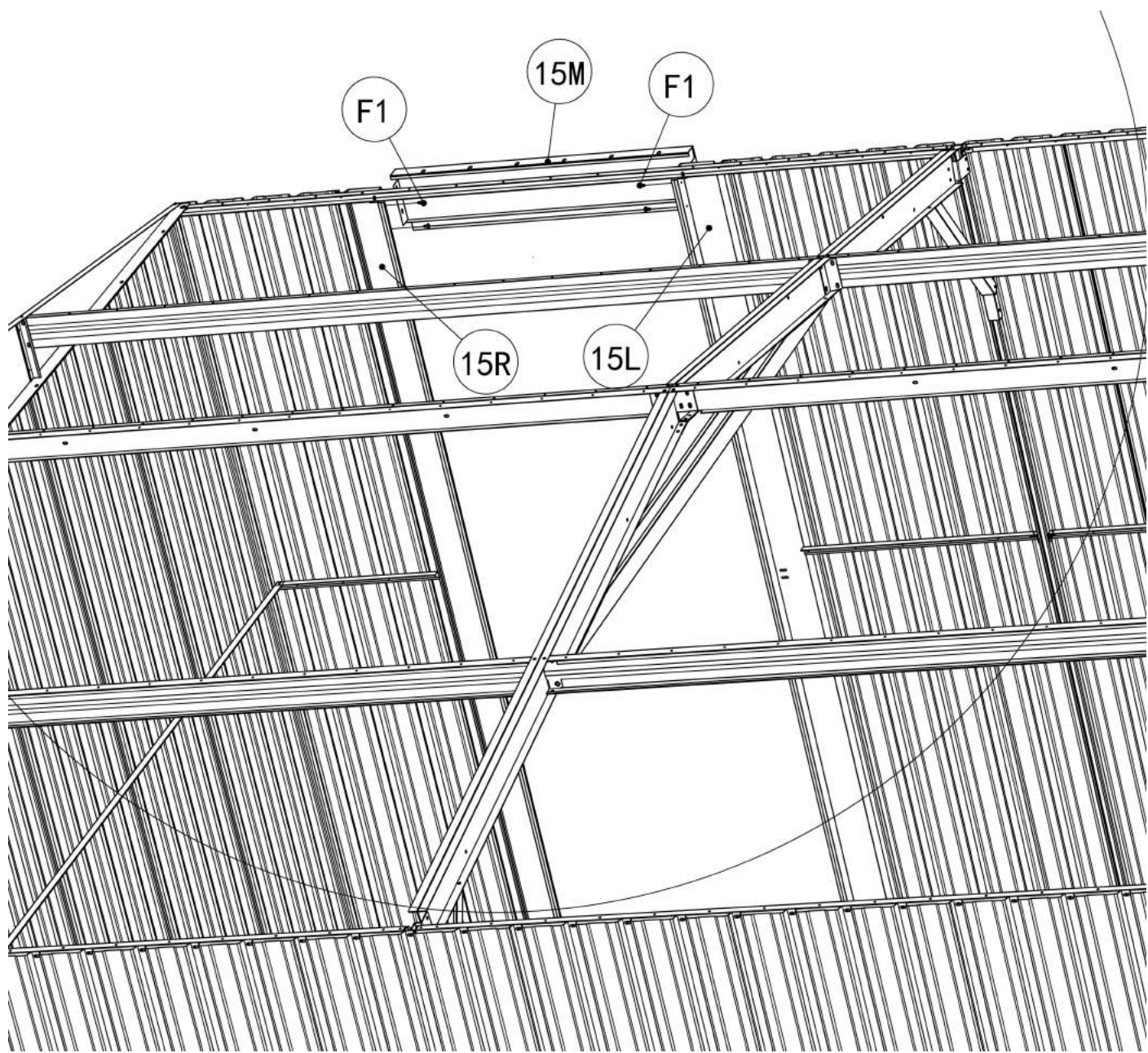
1. Fix P2 and P4 with F1 and F7;

2. Install 15L onto P4 and secure with F1 and F7, and install 15R onto P1 and secure with F1 and F7; Then buckle 15M onto A3 and fix it with F1;

Part	No	Qty	Part	No	Qty	Part	No	Qty
	P2	22		F1	400		F7	396
	15L	1		13L	1			
	15R	1		13R	1			
	P4	2		15M	1			







## 5. Roof Panel Installation

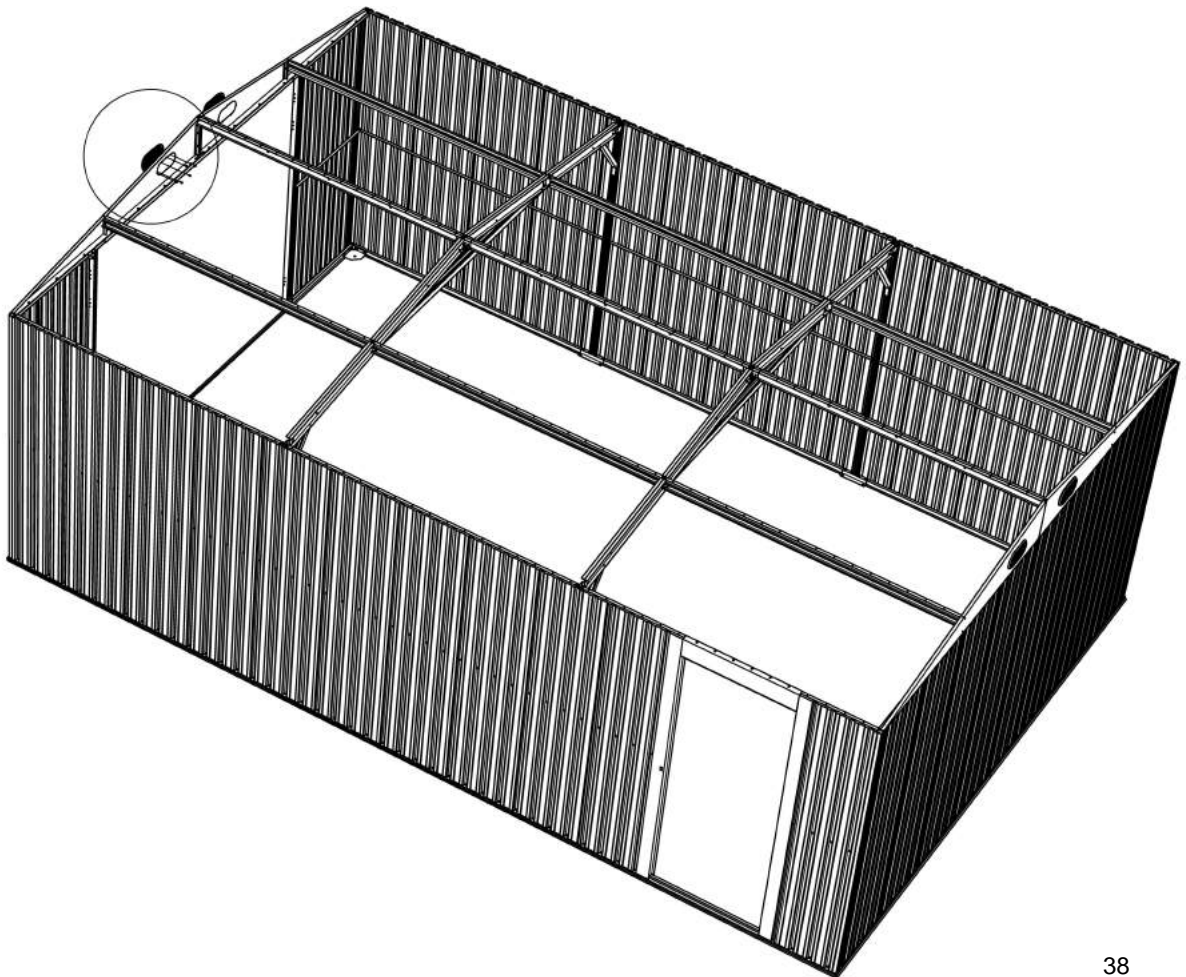
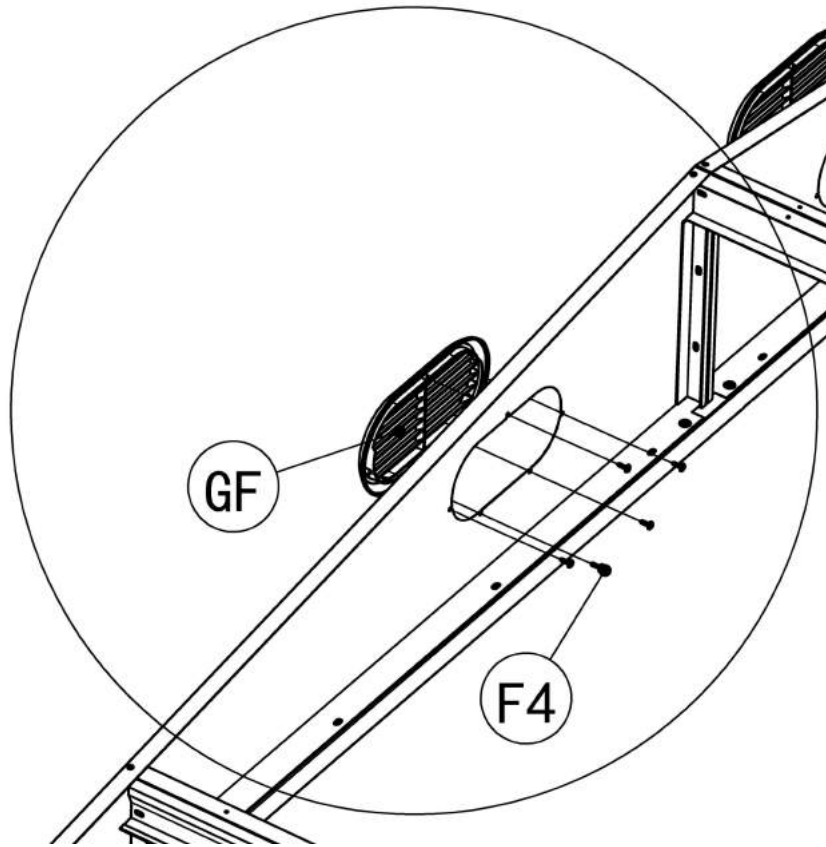
1. Fix GF with F4 on APL and APR;

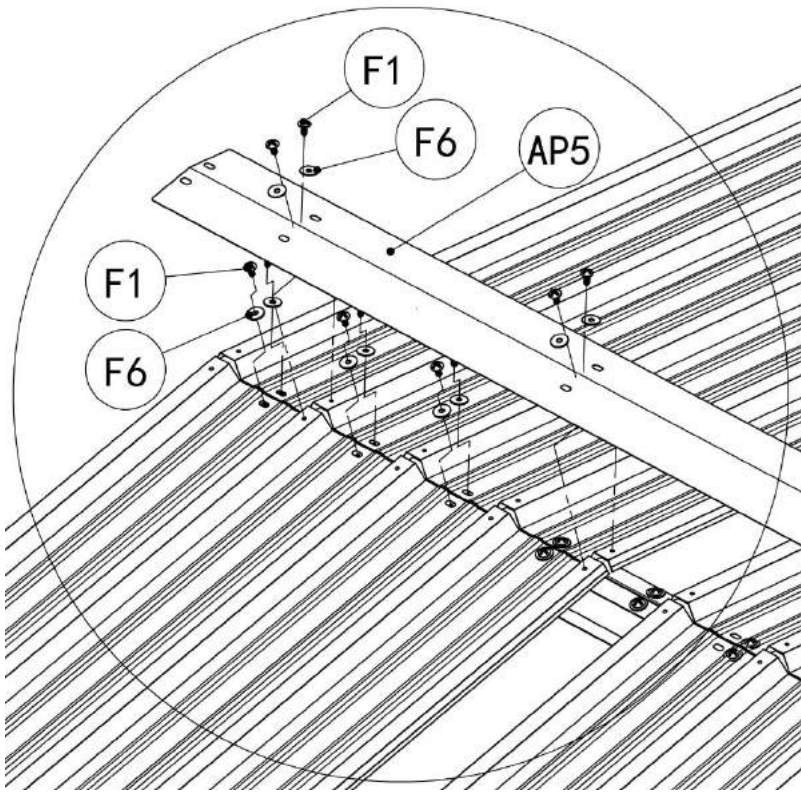
2. Install AP2 onto ABR, ABL, CR, CL, ABM, CM, and secure with F1 and F7.  
For every 4 AP2 installed, install AP5 onto AP2 and secure with F1 and F7.

3. Insert C4 into the middle hole between the first and last tiles, and fix it with F1 and F7.

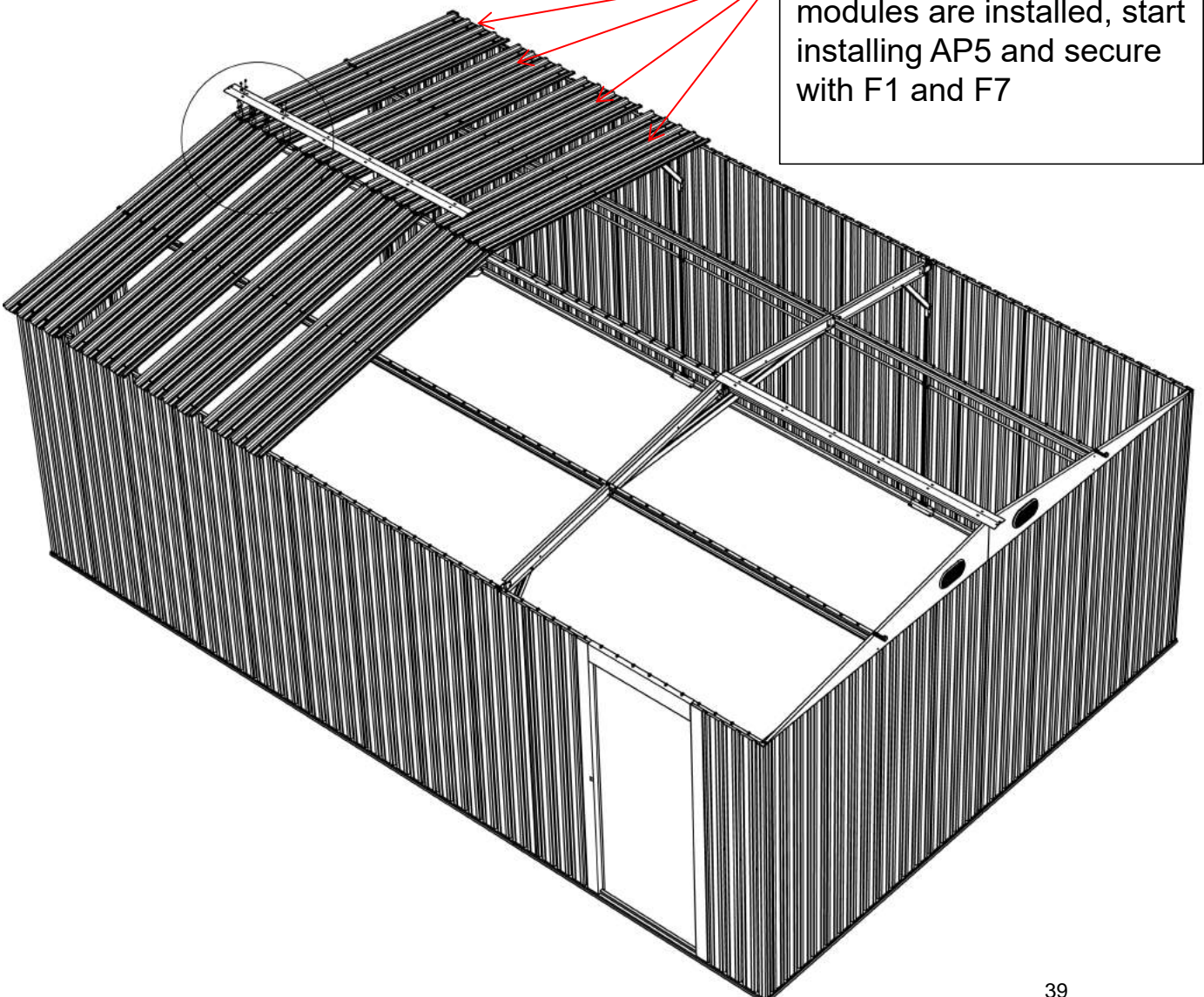
4. Fix AP6, RT3, RC2, AP7, AP8, and RC3 with F1 and F7.

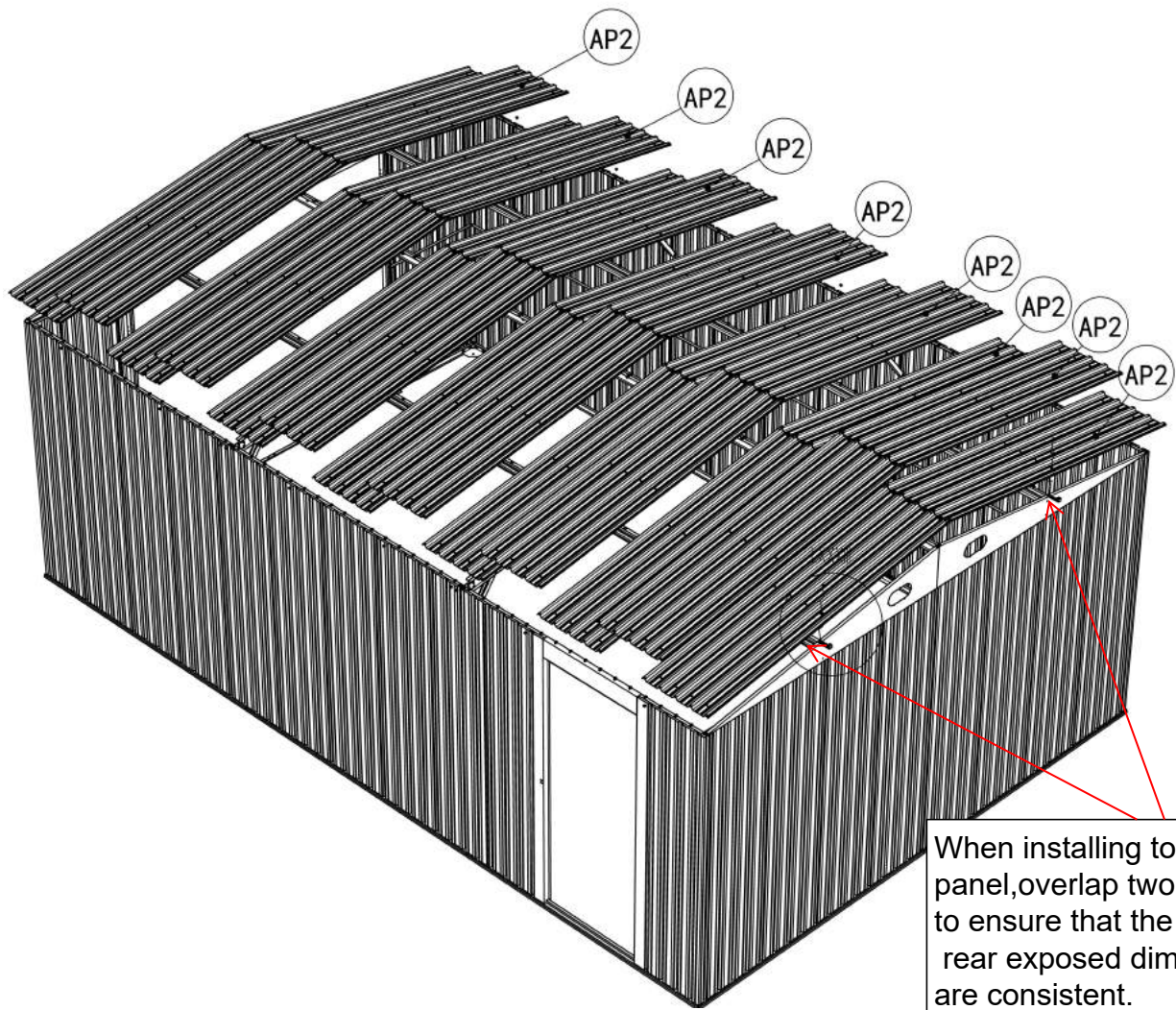
Part	No	Qty	Part	No	Qty	Part	No	Qty
	AP2	26		F1	328		F7	312
	AP7	4		RC2	4		AP5	3
	RC3	4		AP6	4		C4	4
	AP8	2		RT3	2		GF	4
	F4	20						



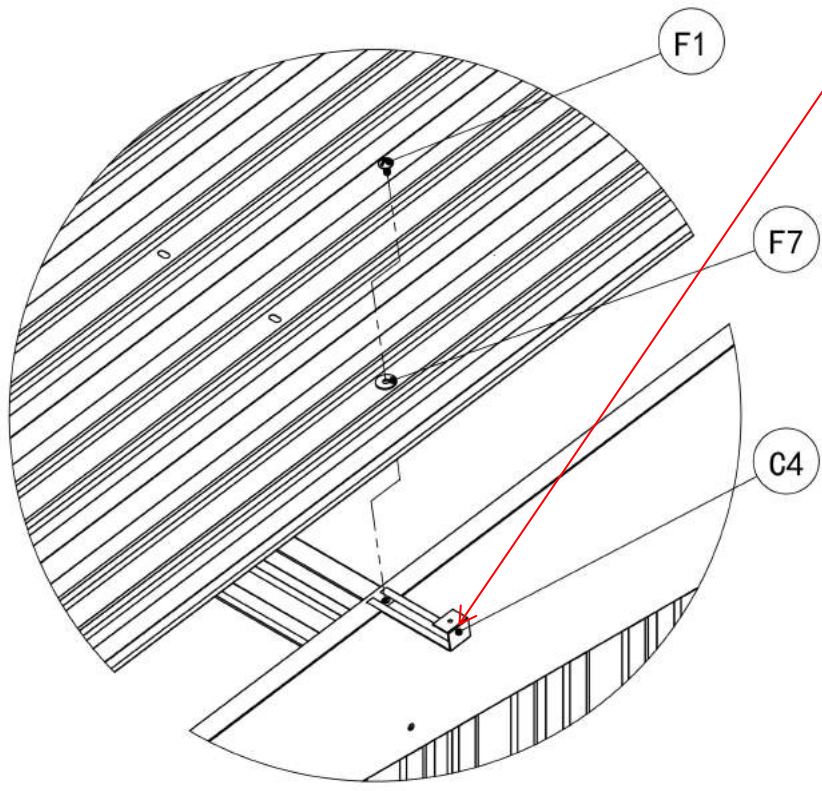


Whenever four AP2 modules are installed, start installing AP5 and secure with F1 and F7



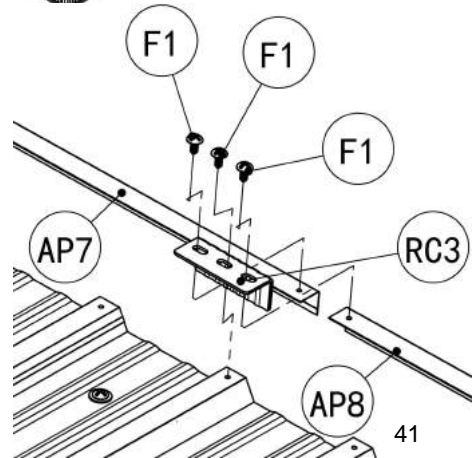
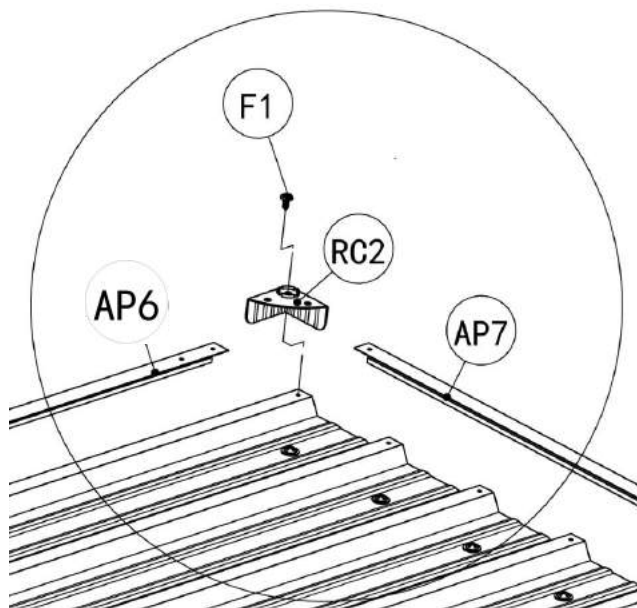
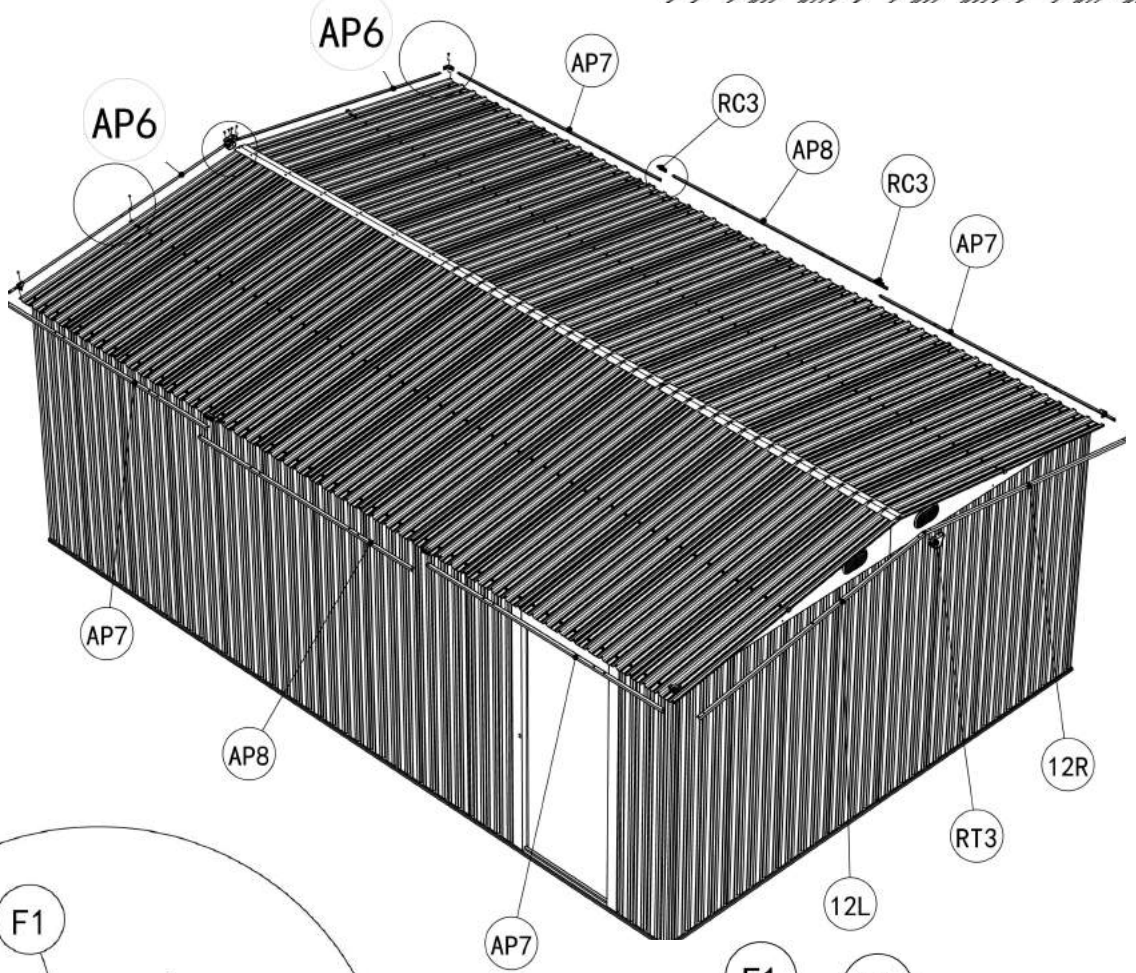
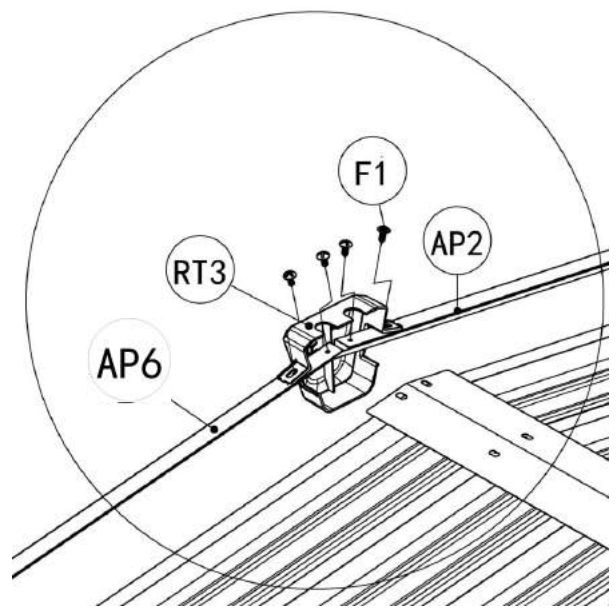
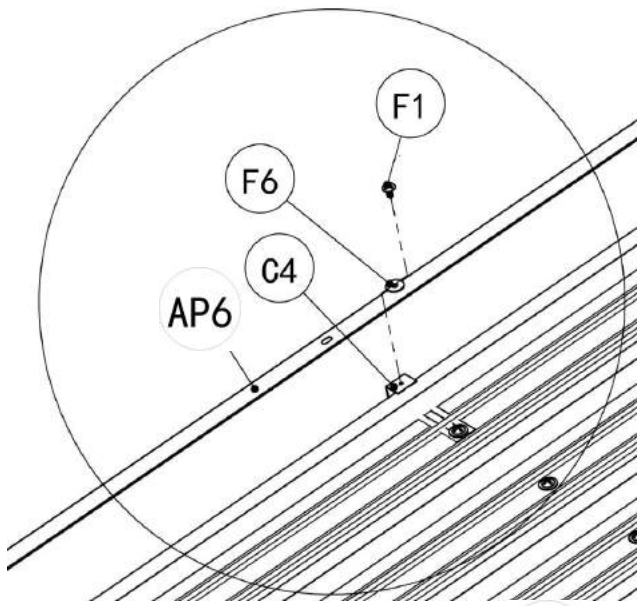


When installing to the last panel, overlap two panels to ensure that the front and rear exposed dimensions are consistent.



Insert C4 into the middle hole between the first and last panel and fix it with F1 and F7.





## 6. Door installation

(1) Side installation: Connect D15, D21, D16, D17, and D18, and fix them with F13 and F6; Flip the assembly to the back, install D19, D20, and fix them with F11, F13, and F6; Flip over to the front and install GB, secure with F14 and F6; Install D9 and secure with F13 and F6; Fix S1 with F11

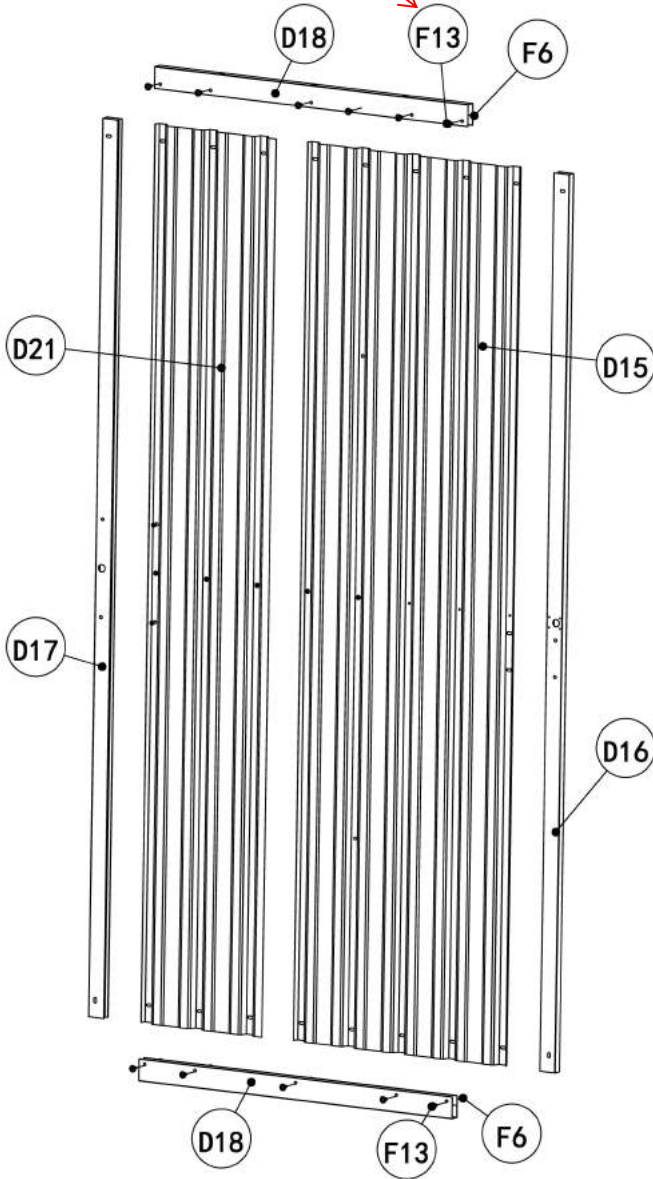
(2) Left door installation: Connect D1, D4, D2, D5, D6, D12 and fix them with F13 and F6; Flip the assembly to the back, install D7, D8, D11, D3, and D10 and fix them with F11, F13, and F6; Flip over to the front and install GB, D9, and fix them with F13, F6, F14, and F15; Fix S1 with F11; Fix GD with F11

(3) Right door installation: Connect D2, D13, D14, D4, D12, D5 and fix them with F13 and F6; Flip the assembly to the back, install D7, D8, D3, and D10 and fix them with F11, F13, and F6; Flip over to the front and install GB, D9, and fix them with F13, F6, F14, and F15; Fix S1 with F11;

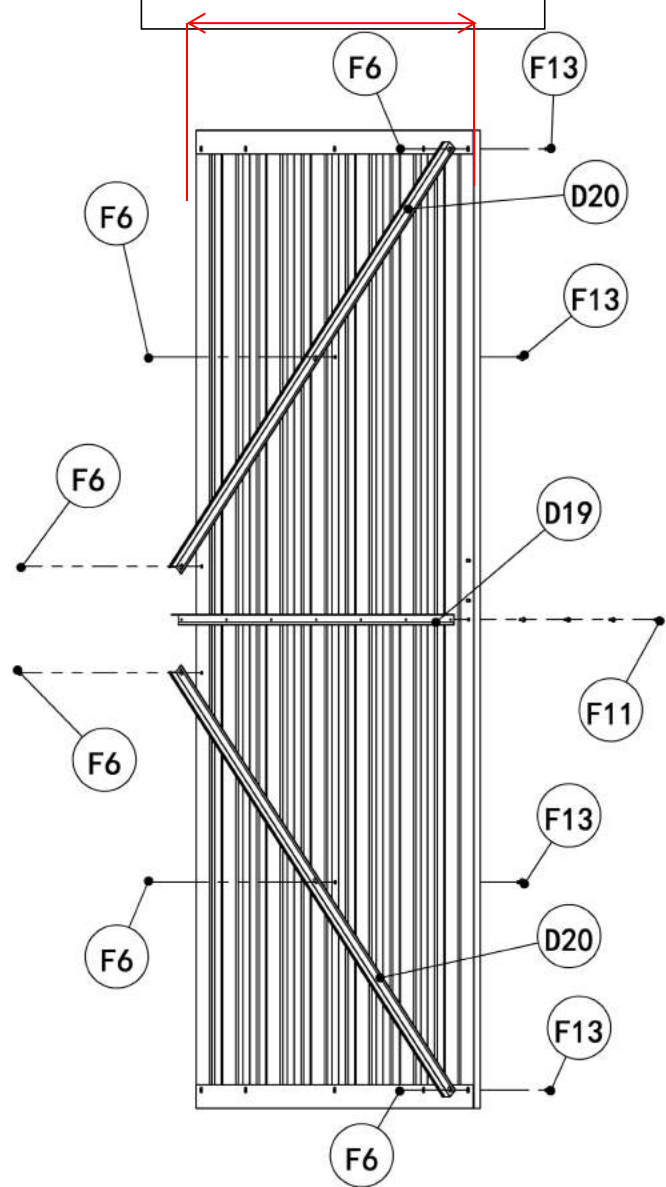
Part	No	Qty	Part	No	Qty	Part	No	Qty
	D1	2		D5	1		D13	1
	D2	4		D6	1		D14	1
	D3	3		D7	4		D15	1
	D4	3		D8	4		D16	1
	D9	3		D11	1		D17	1
	D10	4		D12	2		D18	2
	D19	1		D21	1		F6	66
	D20	2		F13	66		F15	4
	F11	62		F14	4		GB <sub>2</sub>	2

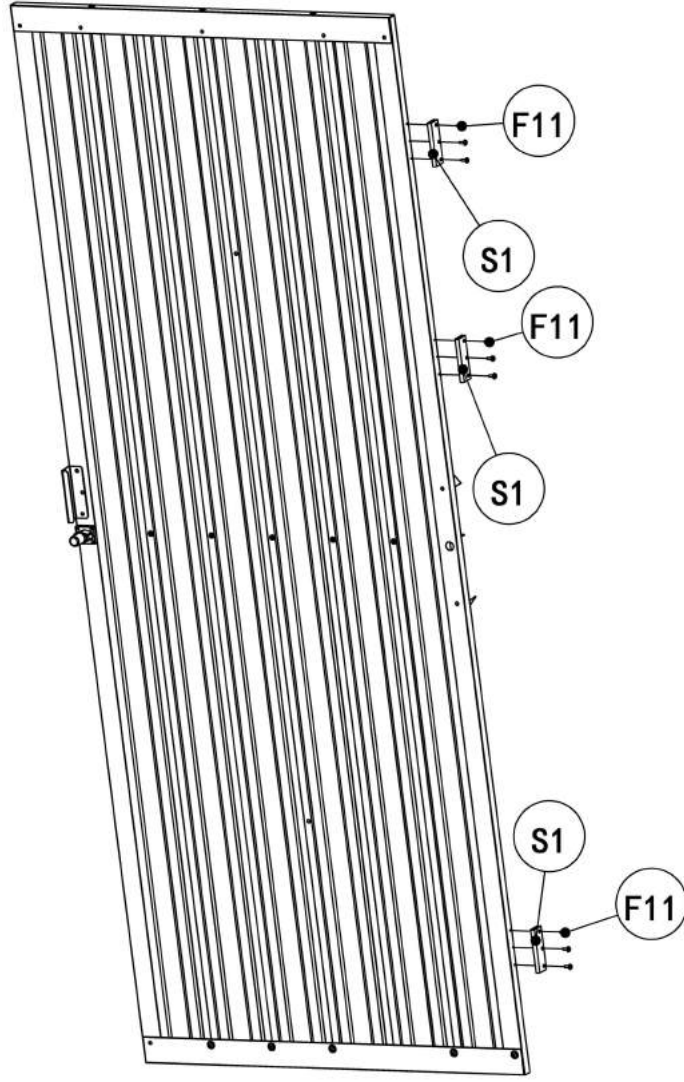
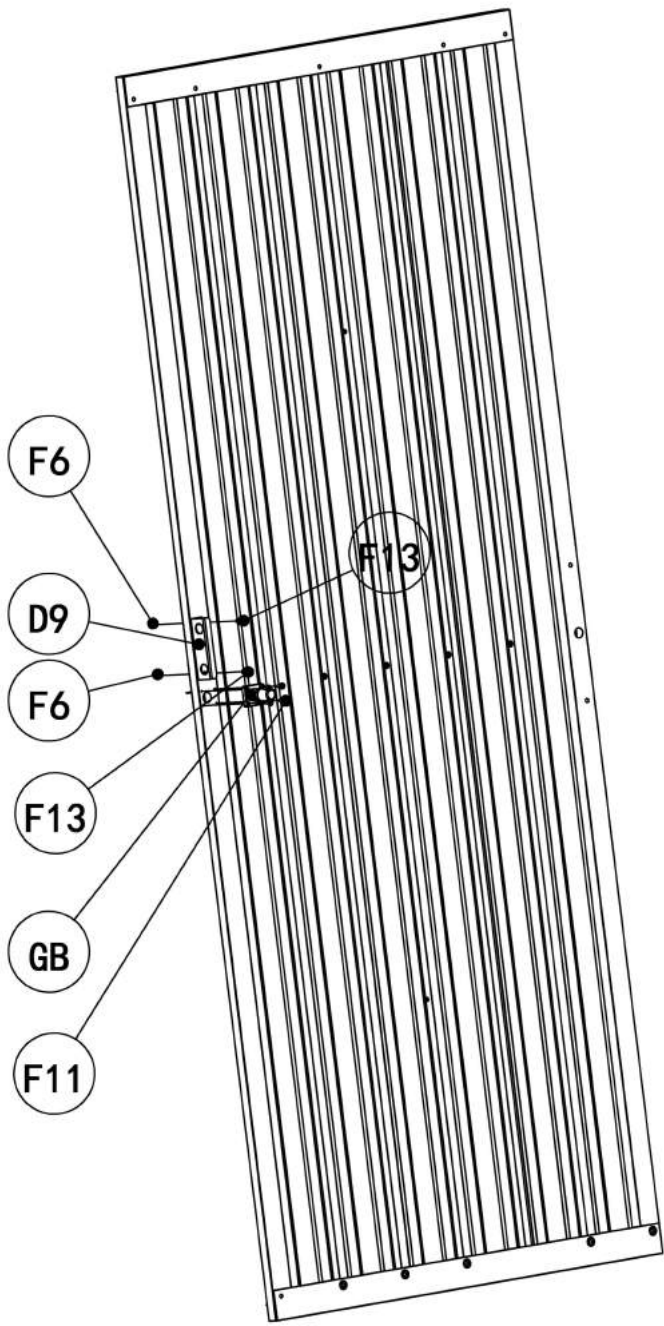
# Side door installation

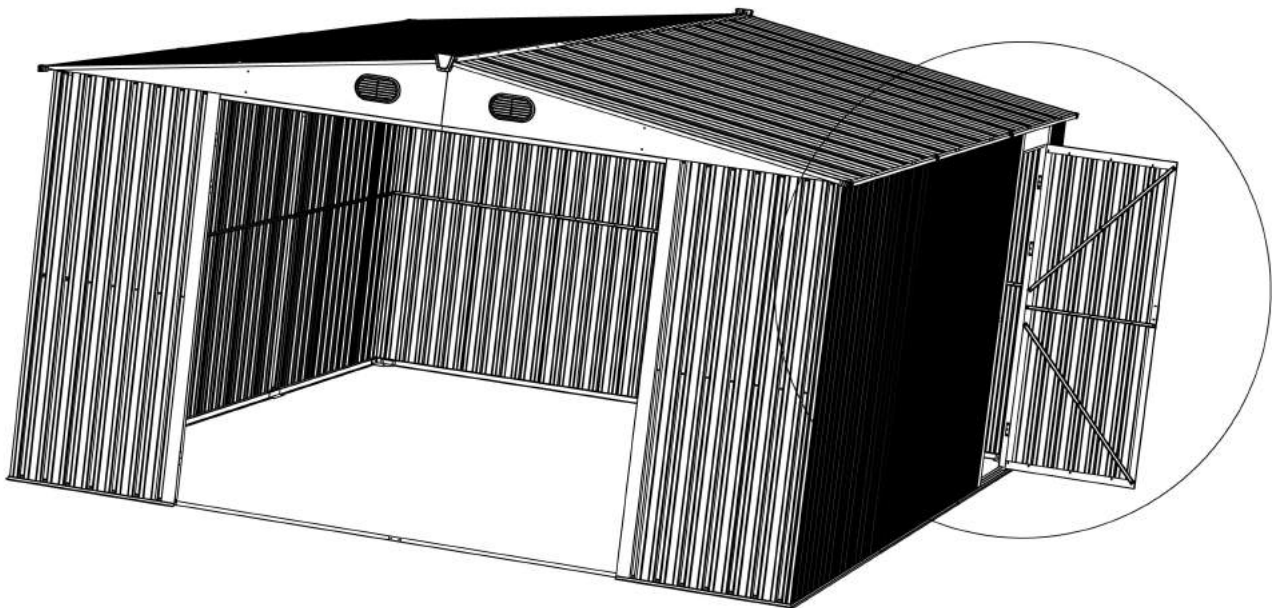
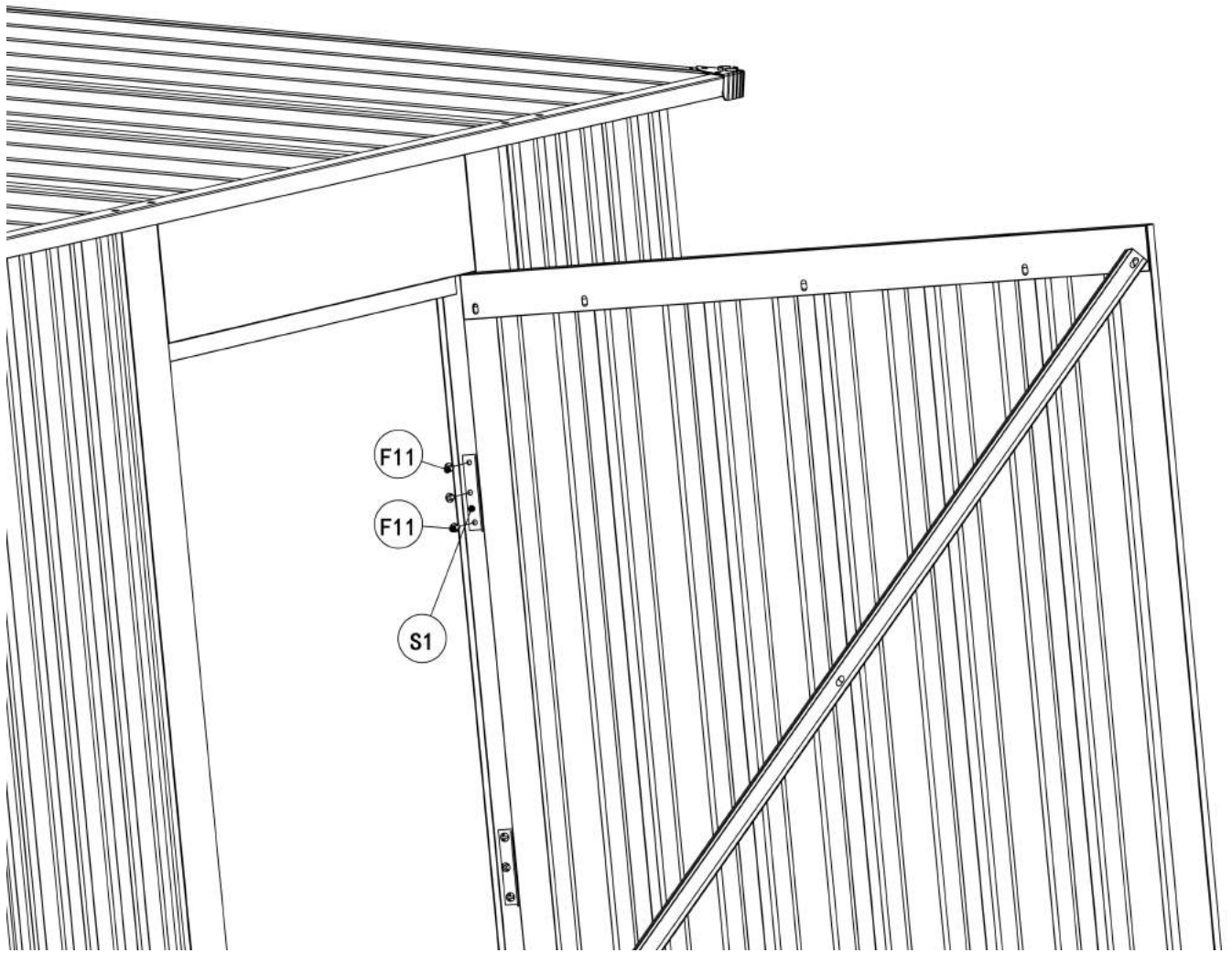
The screws do not need to be locked tightly.

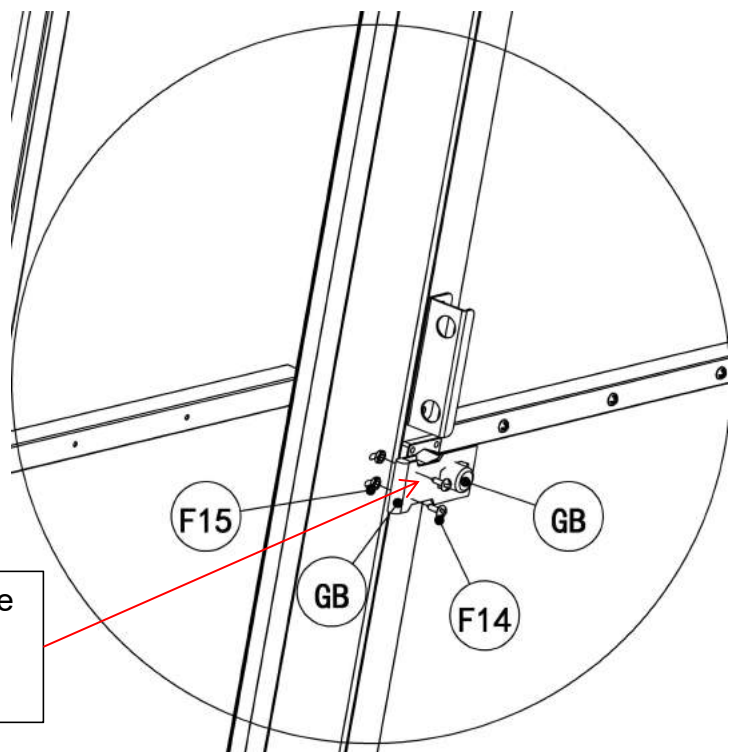


After adjusting the size to 29", lock it tightly.

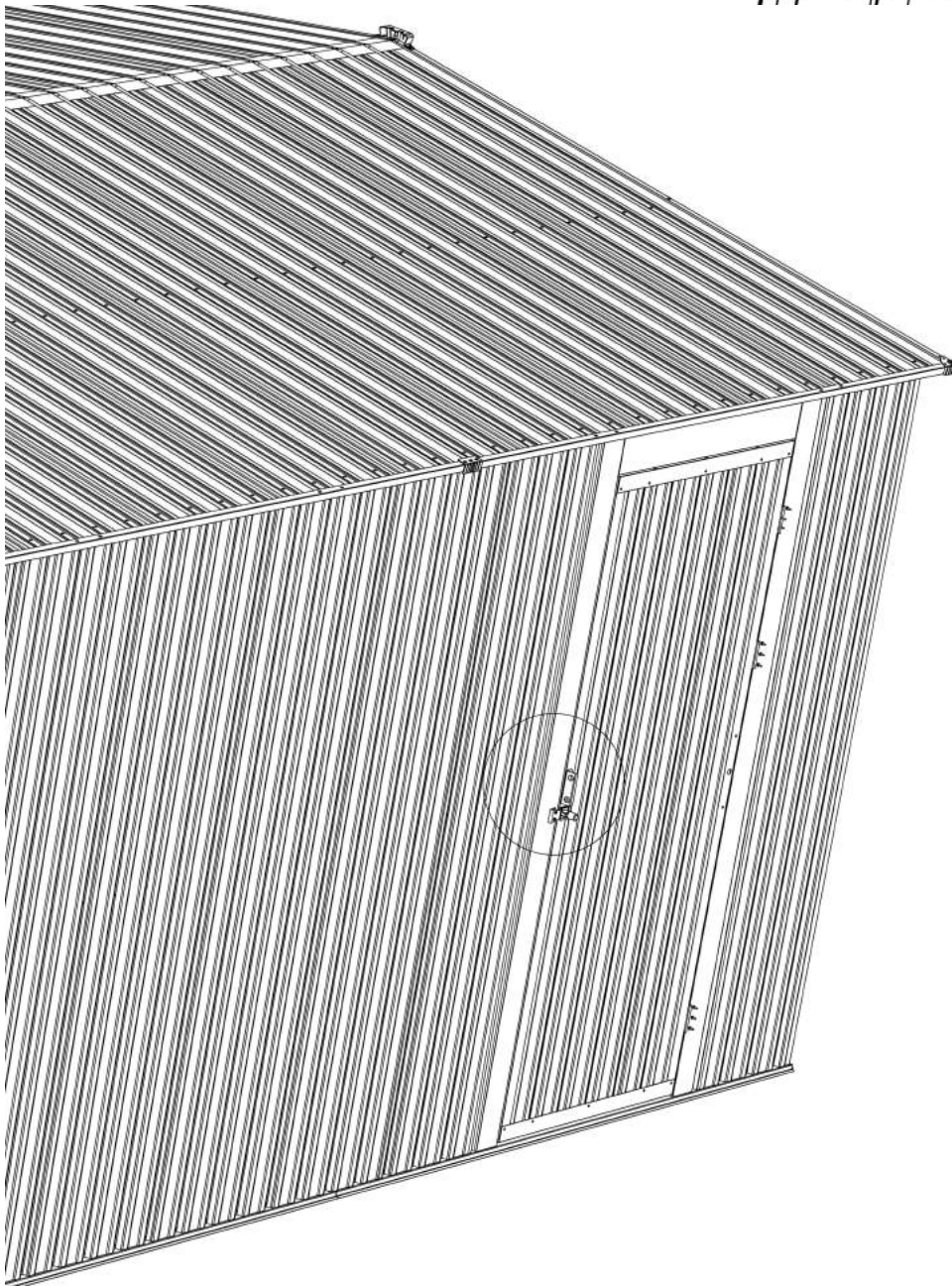






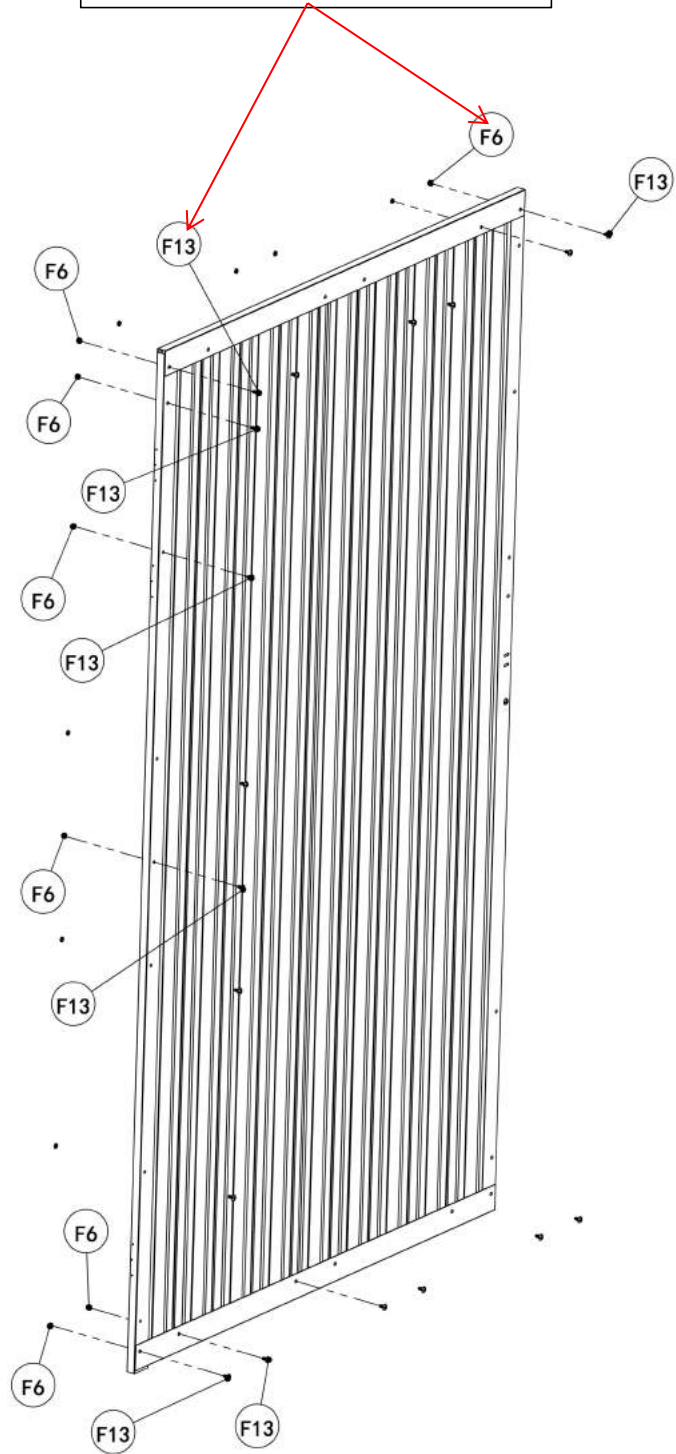
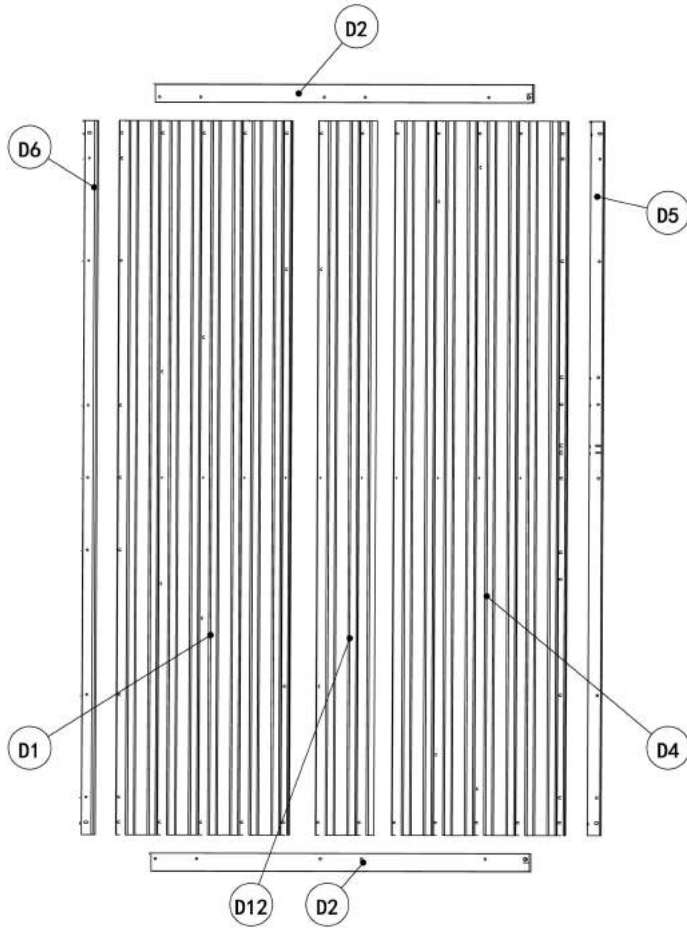


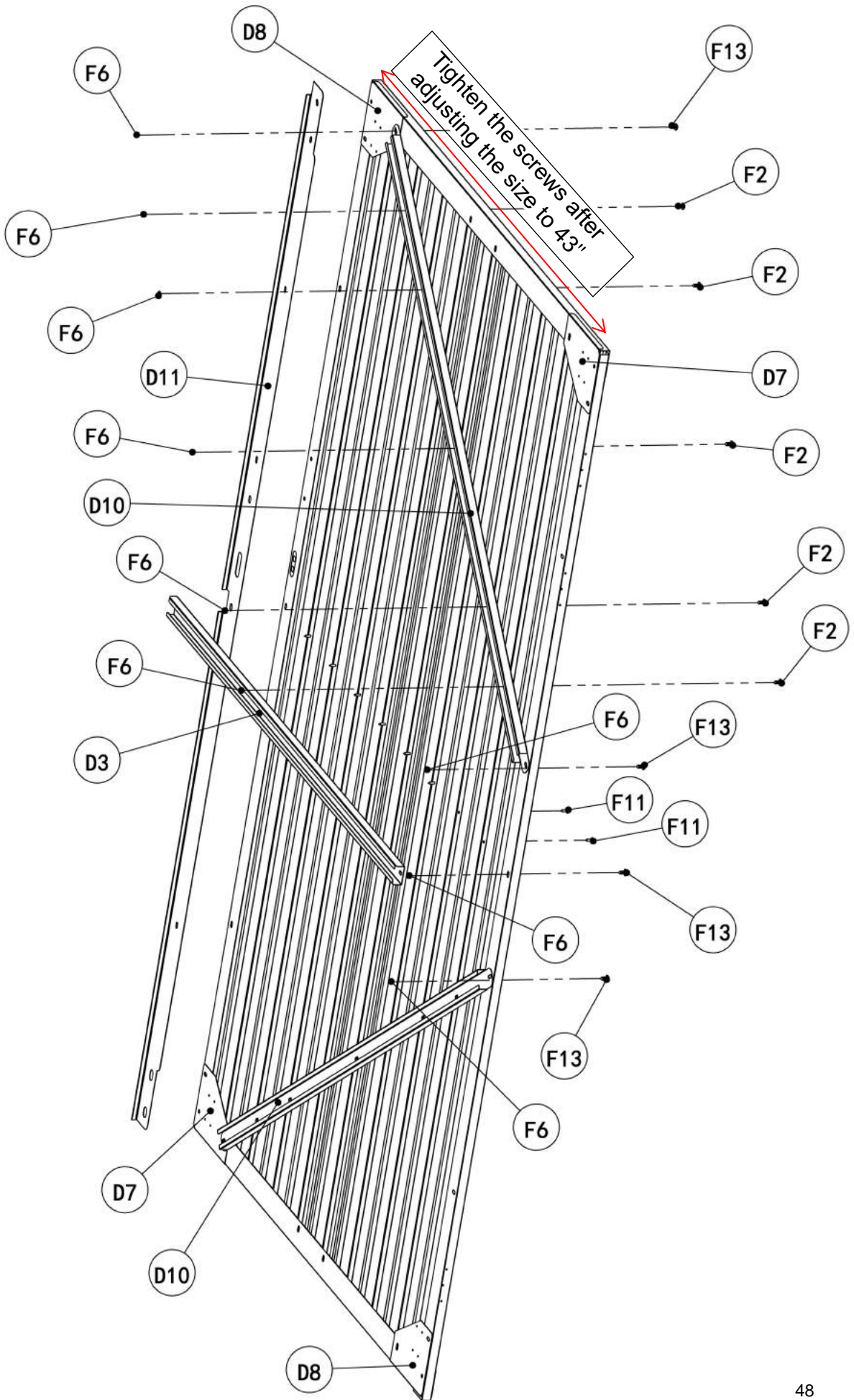
After aligning the lock buckle with the lock head, tighten the screws



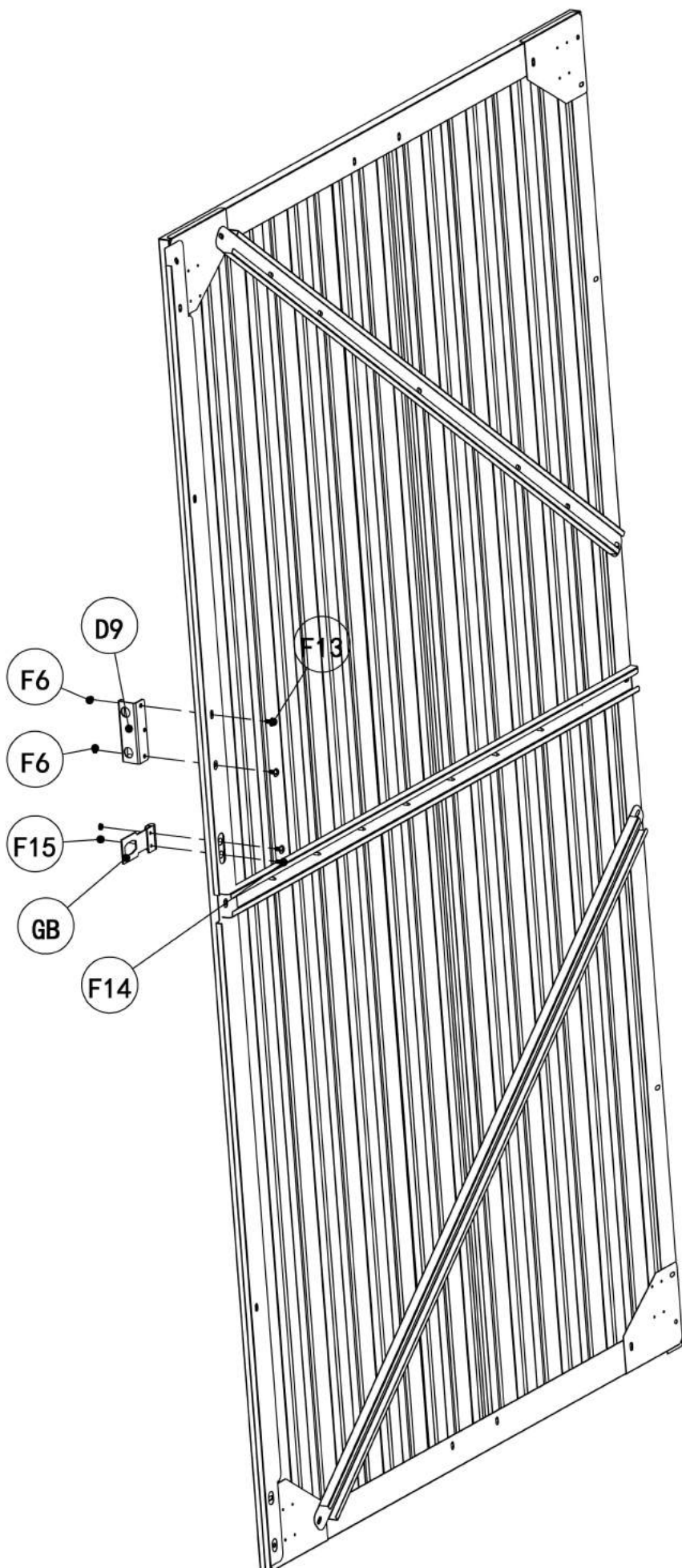
# Left front door installation

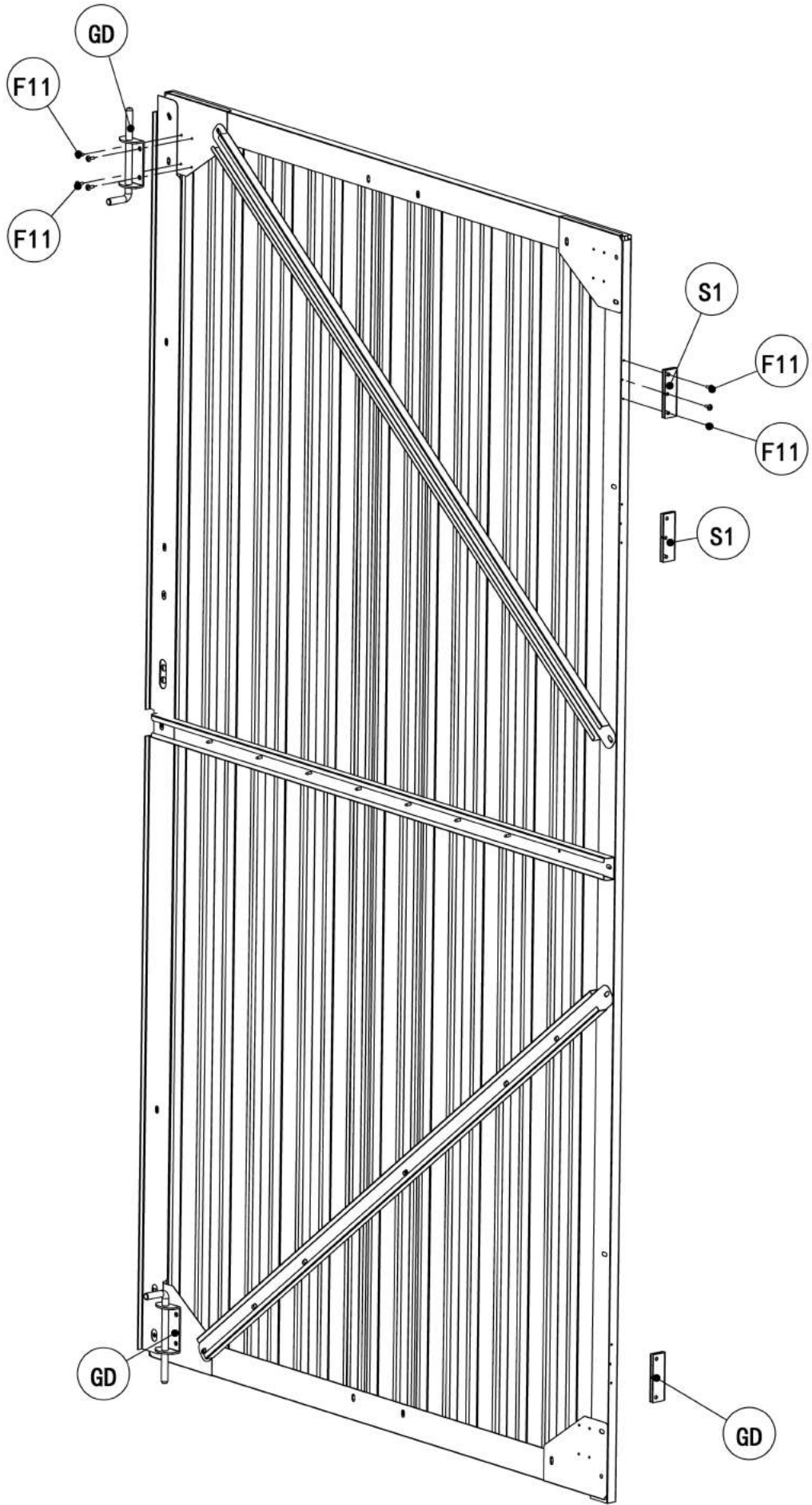
The screws do not need to be locked tightly temporarily.



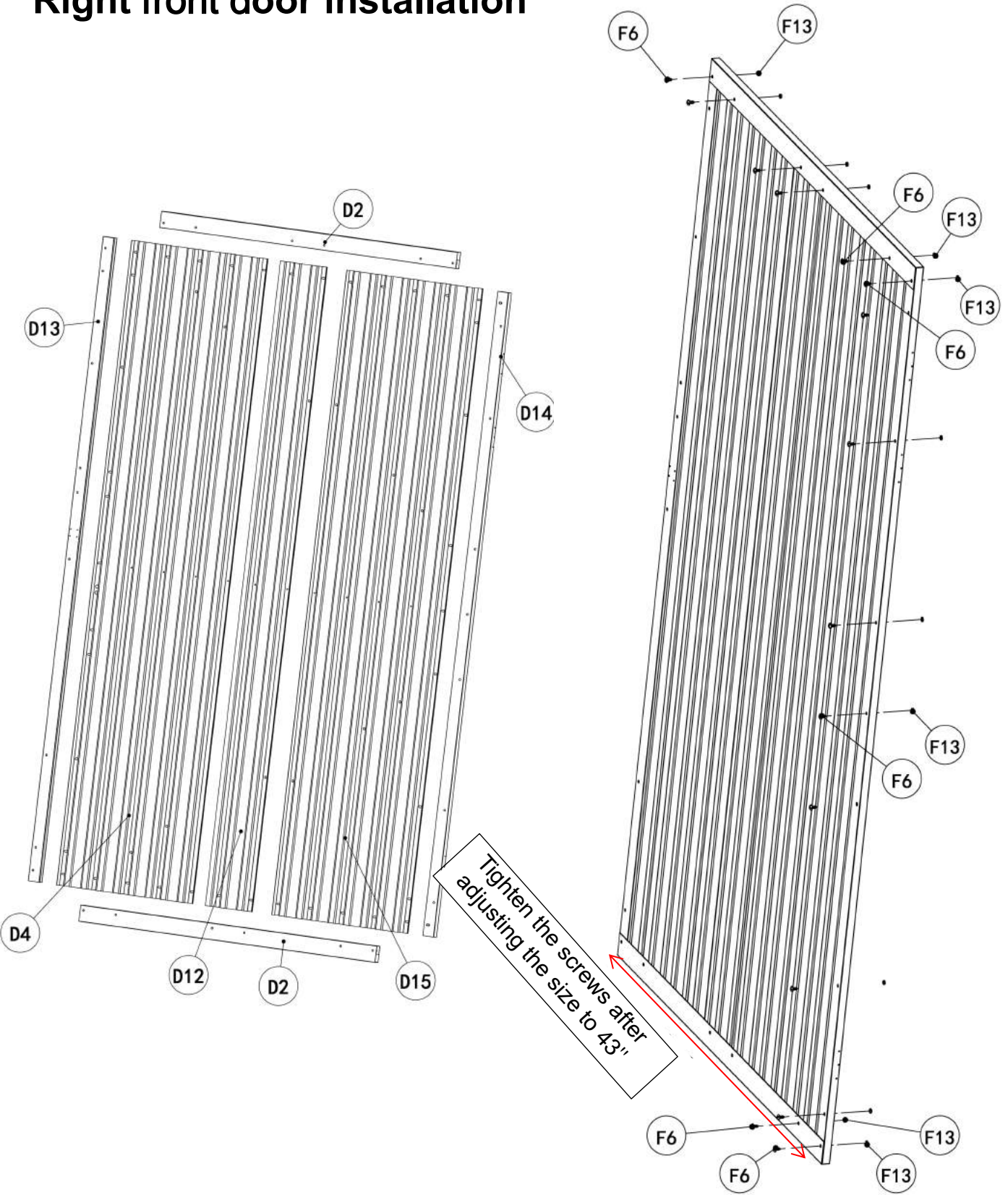


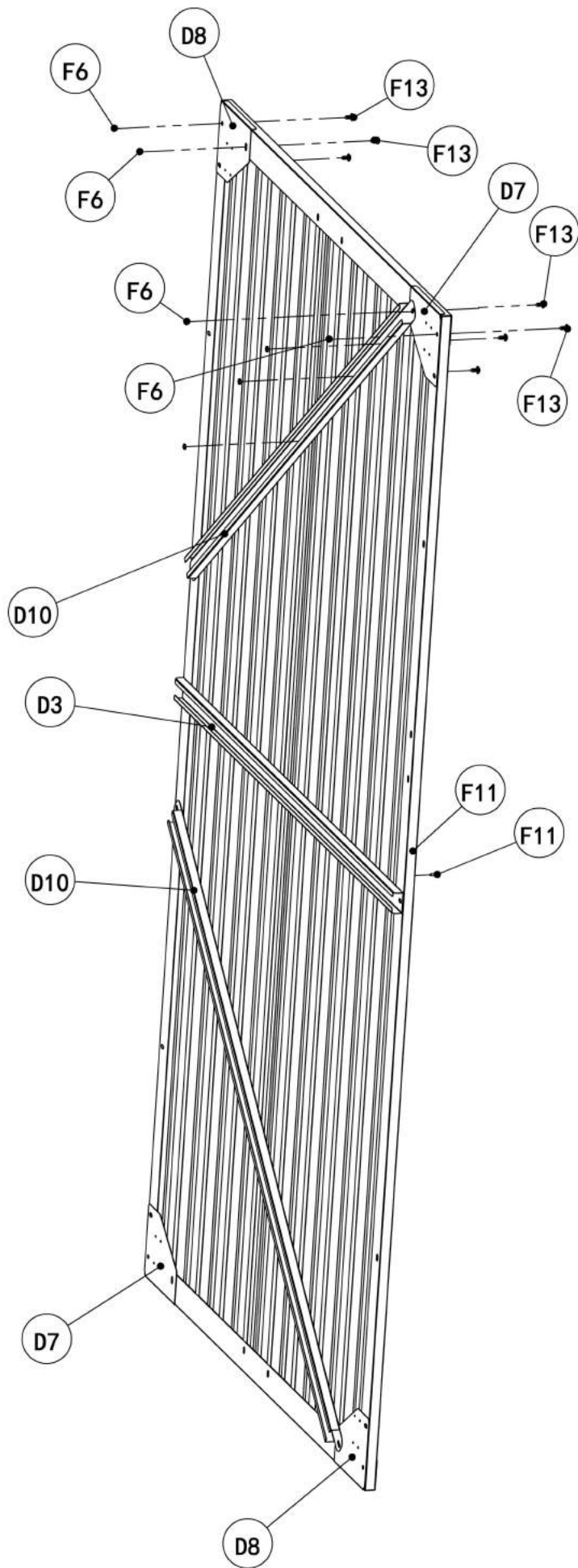


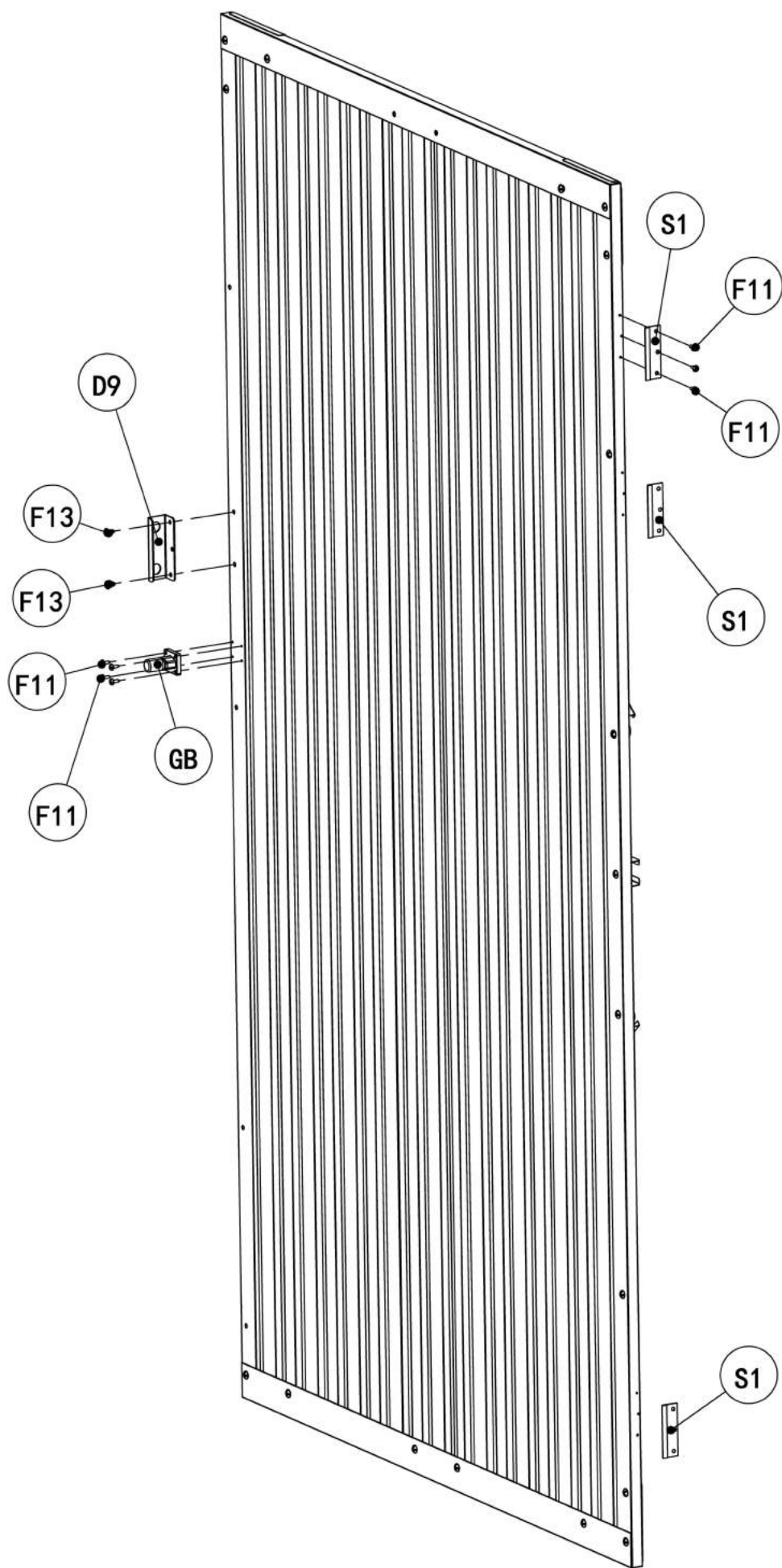


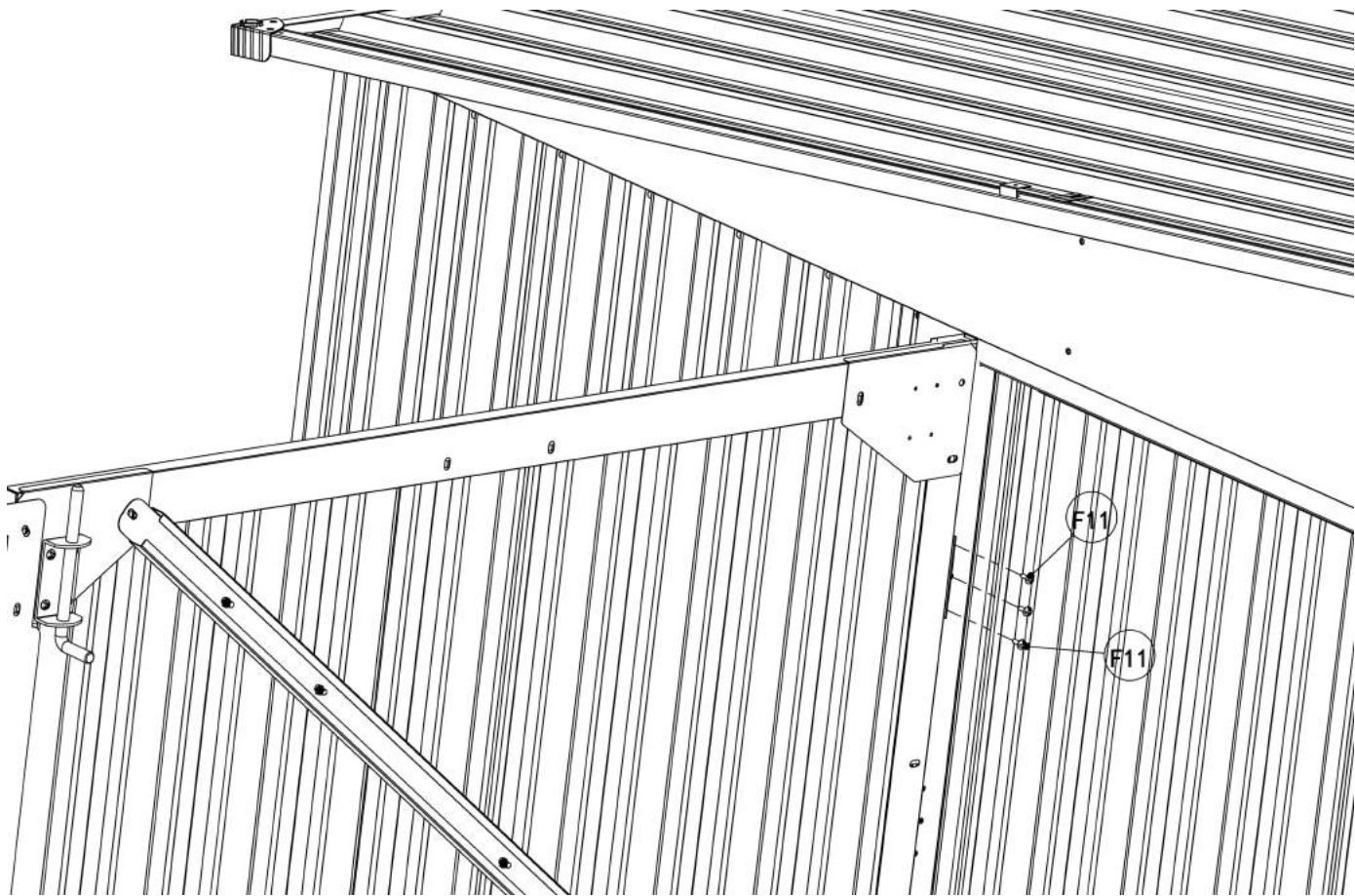
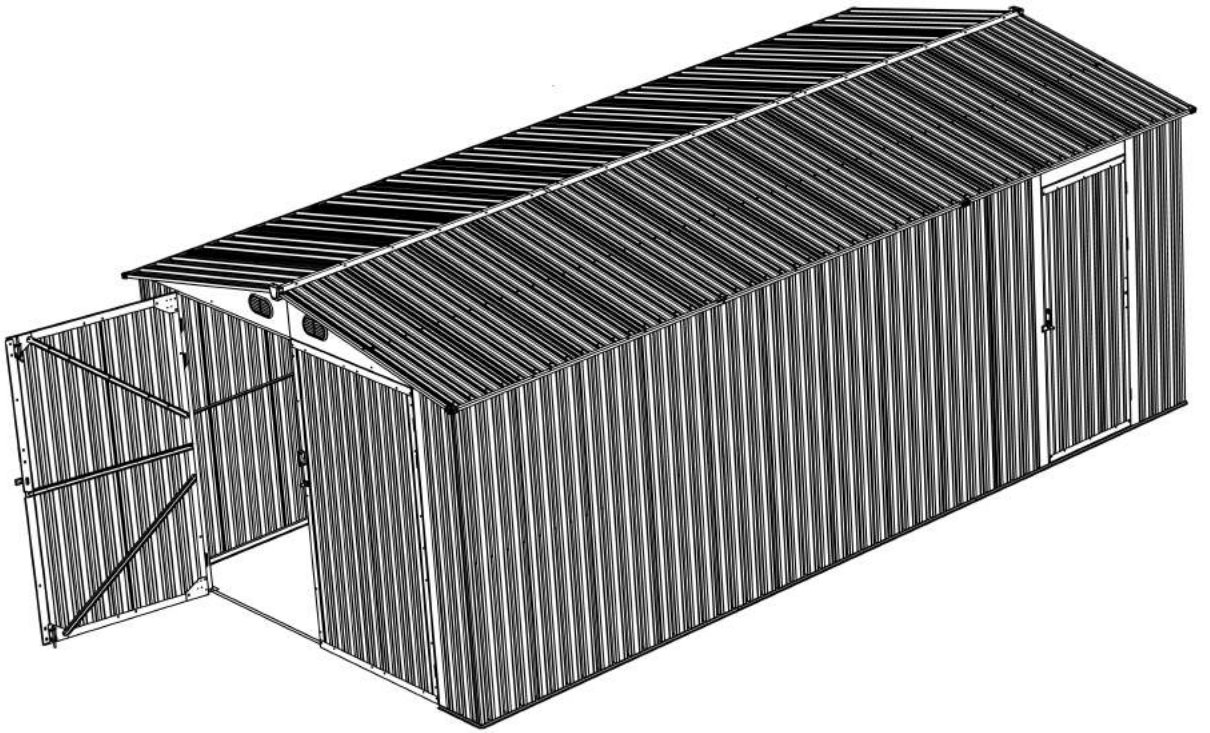


# Right front door installation





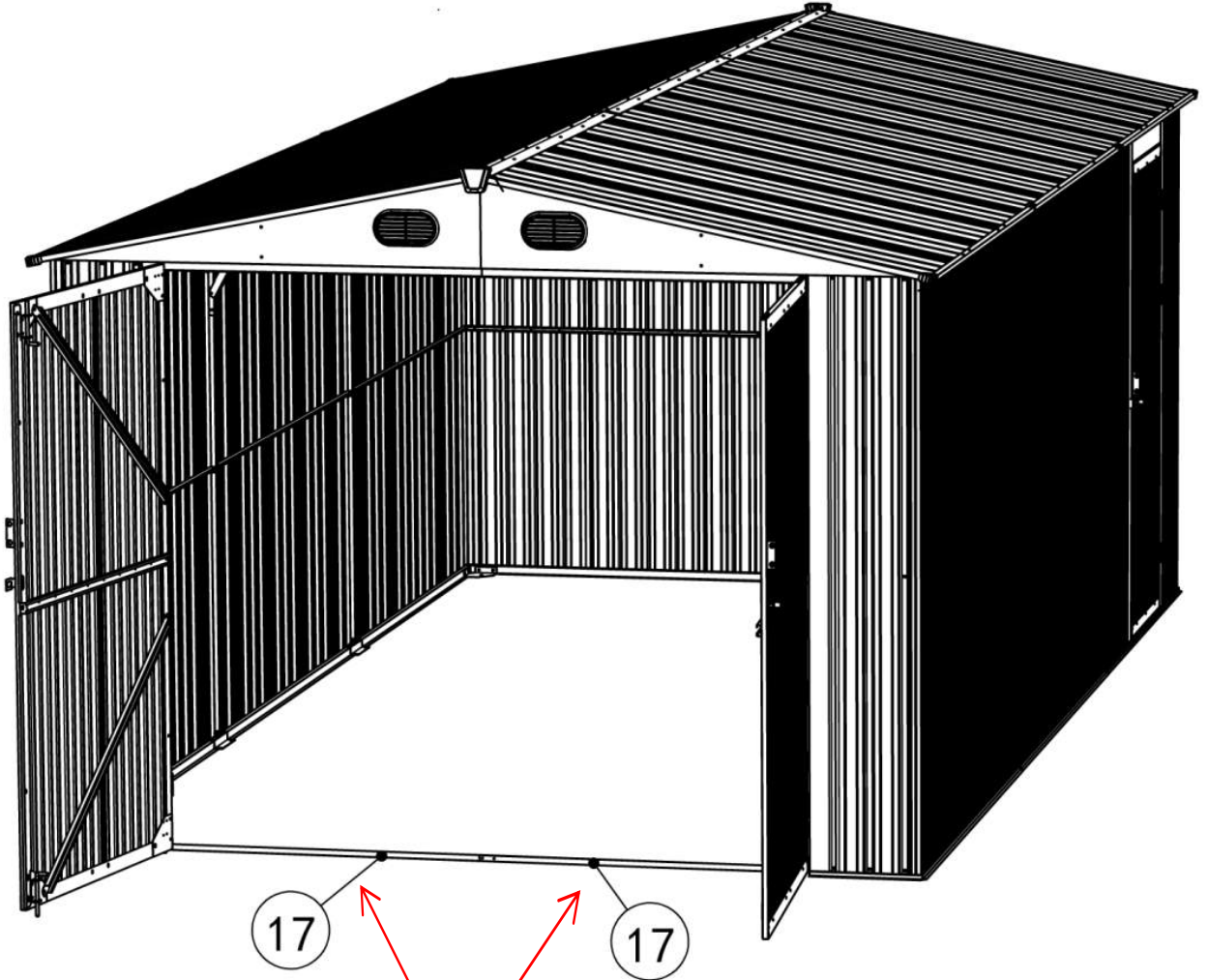




## 7. Final assembly

1. Remove 2 pieces of 17 if needed.
2. Expose F1 inside and outside the house and apply F8

Part	No	Qty
	F8	302



**Remove**