



8*6ft Garden Metal Storage Shed Installation Instructions

W97" x D75.6" x H78"



Thank you for choosing us!

Please let us know if you have any concerns.

CHERY INDUSTRIAL

www.cheryindustrial.com

T: 888-589-8148

E:service@cheryindustrial.com

The product comes in one carton. Please install on a leveled place.

Site Selection

Avoid overhanging trees as much as possible as leaves will make regular cleaning necessary and broken branches are a potential hazard. Small trees, bushes or fences nearby can be helpful, acting as a wind break.

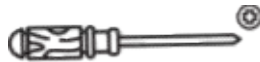
Site Preparation

The site must be prepared so that the base of the shed is level all round and checking with a spirit level is required. The base can be constructed by treated timber or concrete, in order to stop the moisture getting into the shed. The shed is not designed to be built onto lawn directly. Also the ground will get muddy during rainy days. If a concrete pad is made, it is important that this slopes towards the edges to prevent water ingress. Time must be allowed for any concrete or cement to dry before building the shed on top. Bases can also be constructed from bricks, blocks, or mounted on a concrete pad. The bricks or blocks should be cemented onto firm and level concrete footings.

Please prepare below tools before installation. (Not Included)



Electric Screwdriver



+ Manual Screwdriver



Ladder



Spanner

Package included Tools



Gloves X 1 Pair

ATTENTION:

1. Please read this instruction carefully before installation and follow it strictly during installation.
2. Ensure that there are no problems later due to installation errors.
3. We have prepared extra screws for you to use in case of loss or damage.

Installation Notes

Please check the quantity of all parts before installation (refer to the Parts Lists) and the appearance of the products. Make sure the product is correct before installation.

Make sure the colored panels are facing outwards and all the holes match. The panels are textured, please install the panels in the order specified in the instructions. All lines and holes should be matched to make the storage shed more stable. Please ensure that all screws are tightened to prevent the product from falling apart.

There is a protective film on the surface to protect the product, you can tear it off after installation. If you do not damage the film during installation, it can also remain on the product to protect.

Please place the product on a flat ground to prevent leaning and collapse. If the ground is uneven, the door may can't be closed.



Safety Precautions

We recommend **two adults** to complete the installation. Two adults installed together will make the installation process easier and safer.

The gloves must be carried to prevent hand cuts during installation.



Take care when using power tools near water the use of a residual current device (RCD) is advised.

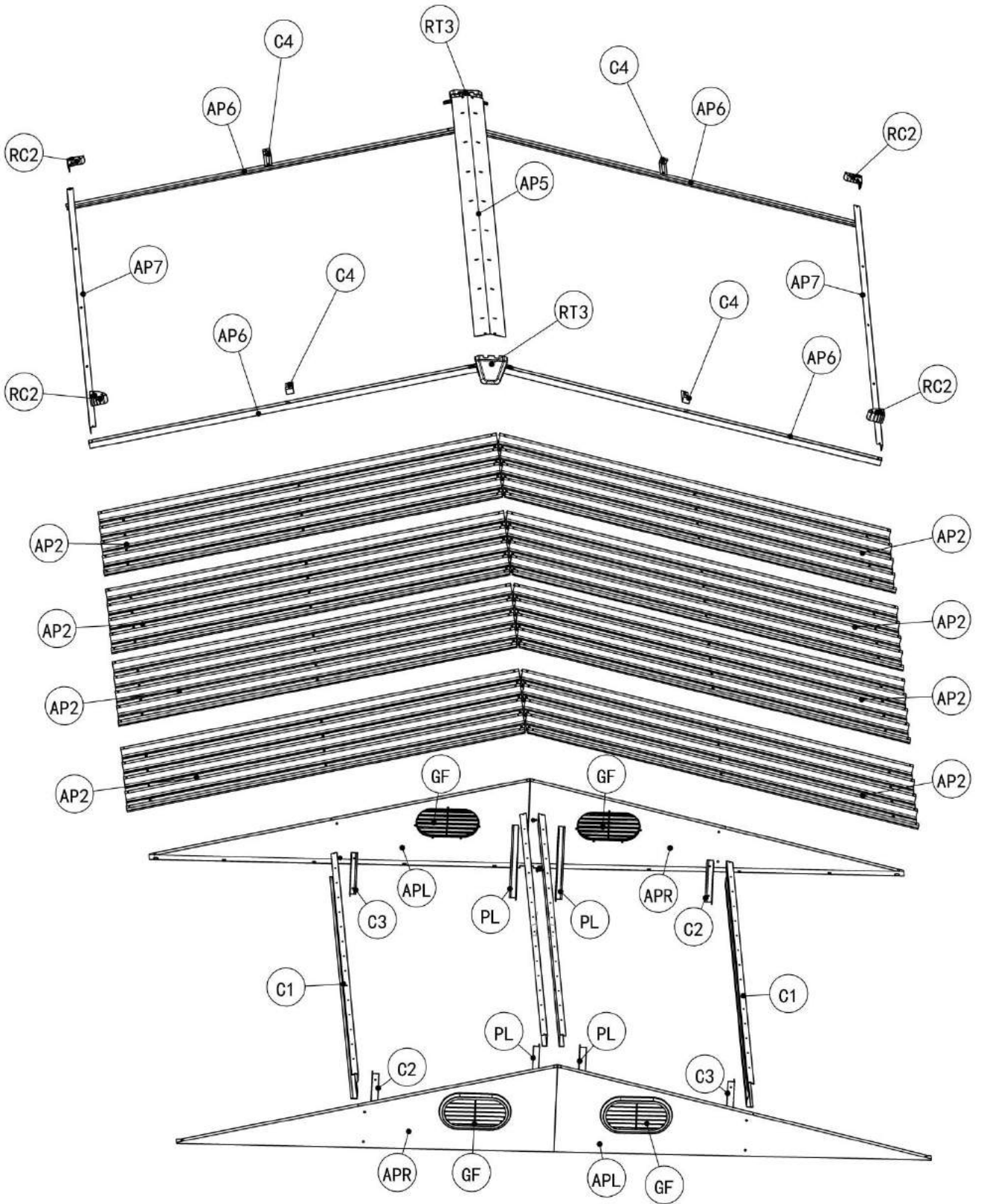
Please use the electric driver carefully during screwing to prevent the screw from slipping and hurting your hand.

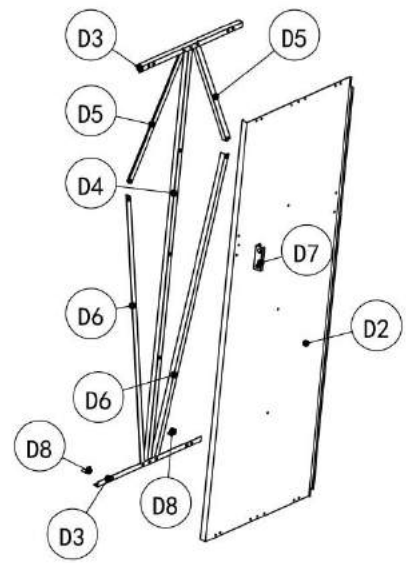
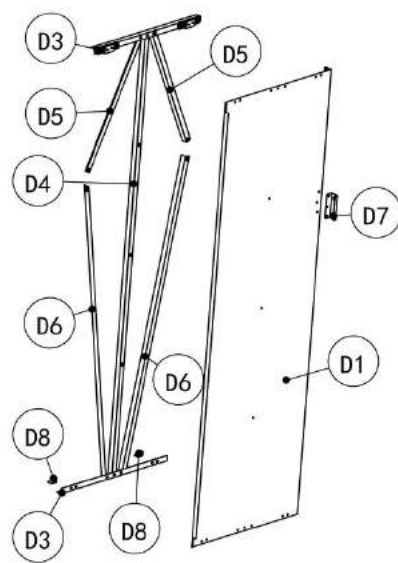
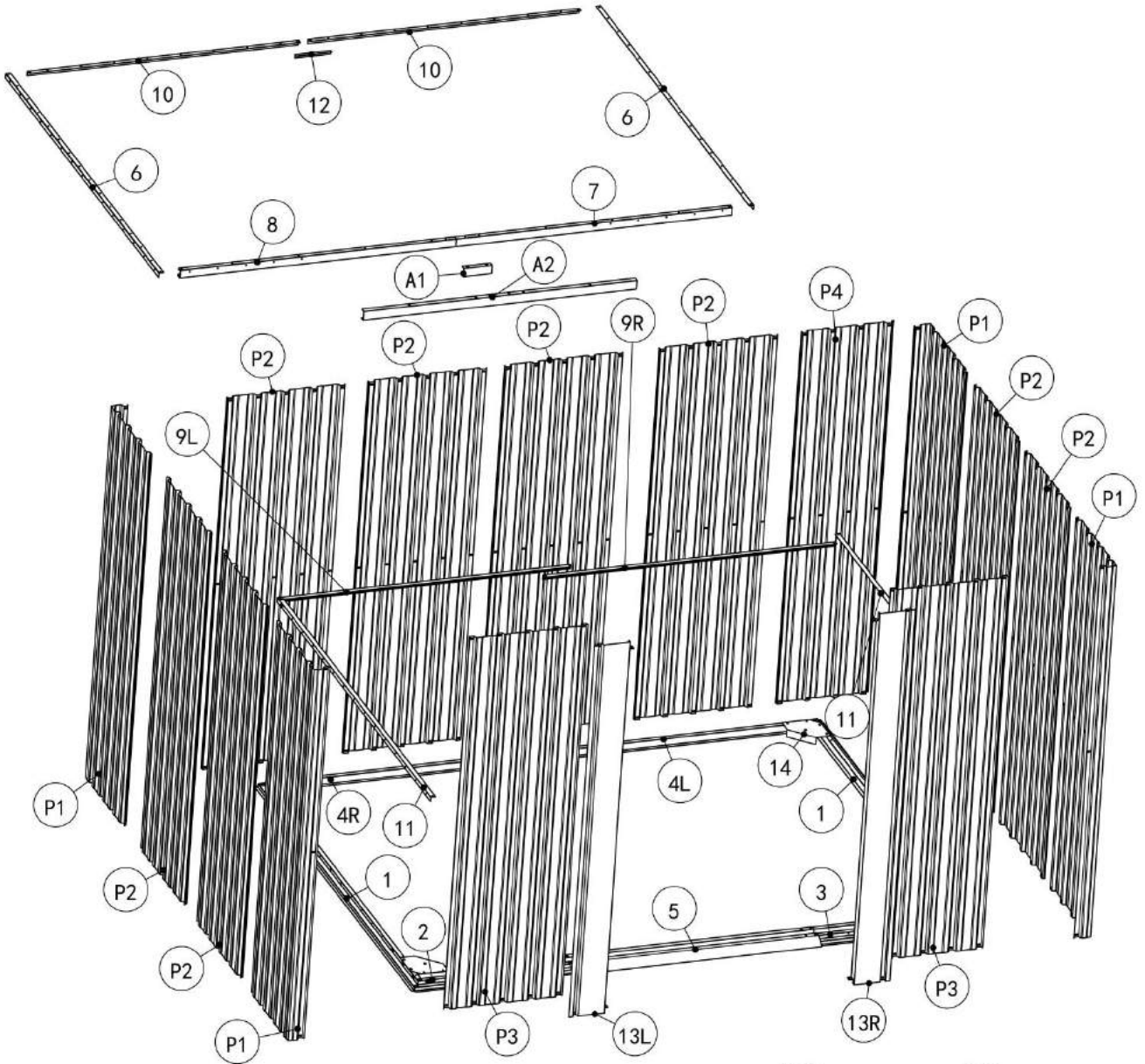
Be careful not to fall when installing the roof. Please steady the ladder and make sure the product placed on a flat ground.

PLEASE KEEP THIS INSTRUCTION FOR FUTURE REFERENCE.

Component List

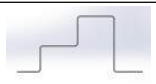


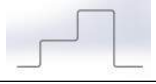




Part	No	Qty	Part	No	Qty	Part	No	Qty
	4L	1		9R	1		D6	4
	4R	1		11	2		D7	2
	1	2		14	4		D8	4
	2	1		APL	2		S1	4
	3	1		APR	2		S2	8
	5	1		PL	4		F4	22
	P1	4		AP1	2		F1	390
	P2	8		AP2	8		F6	60
	P3	2		AP5	1		F2	60
	P4	1		AP6	4		F8	200
	13R	1		AP7	2		F7	300
	13L	1		RT3	2		RC3	4
	A2	1		C1	2		GF	4
	8	1		C2	2		F9	10
	7	1		C3	2		F10	10
	A1	1		D1	1		F5	10
	10	2		D2	1		C4	4
	12	1		D3	4			
	6	2		D4	2			
	9L	1		D5	4			

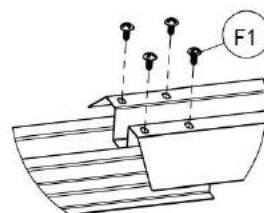
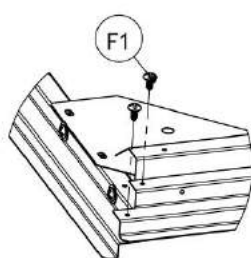
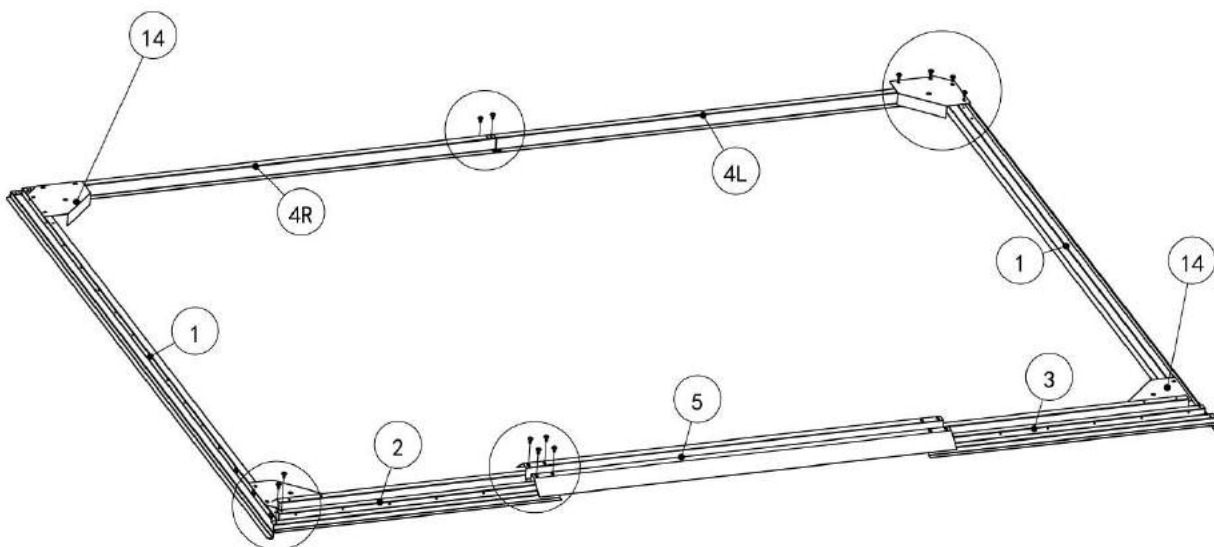
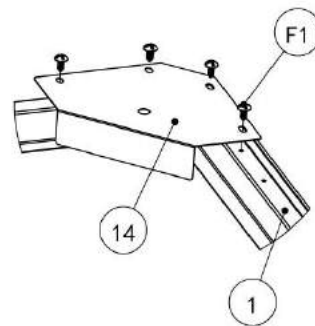
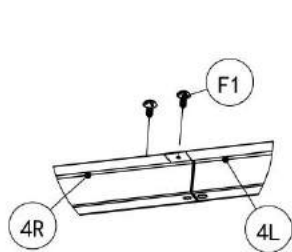




1.Base Frame Assembly






















- 1.Connect 2, 5, and 3 with F1 screws. Connect 4L and 4R with F1 screws;
- 2.Connect 1 and 2, 3, 4L, 4R with F1 screws;
- 3.Connect 14 to 4L, 4R, 2, and 3 using F1 screws;

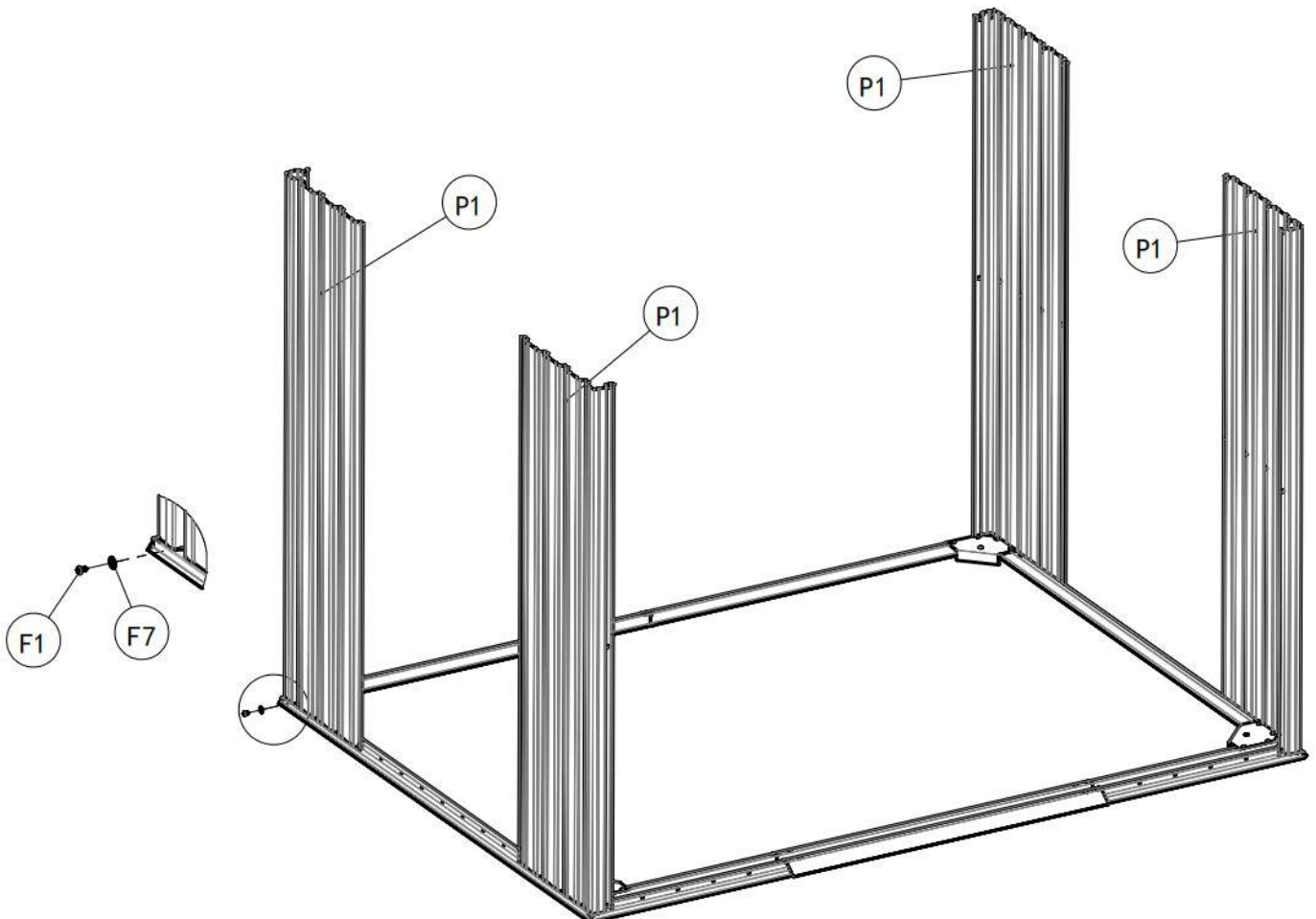
Part	No	Qty	Part	No	Qty	Part	No	Qty
	4L	1		F1	34		5	1
	4R	1		14	4		2	1
	1	2		3	1			

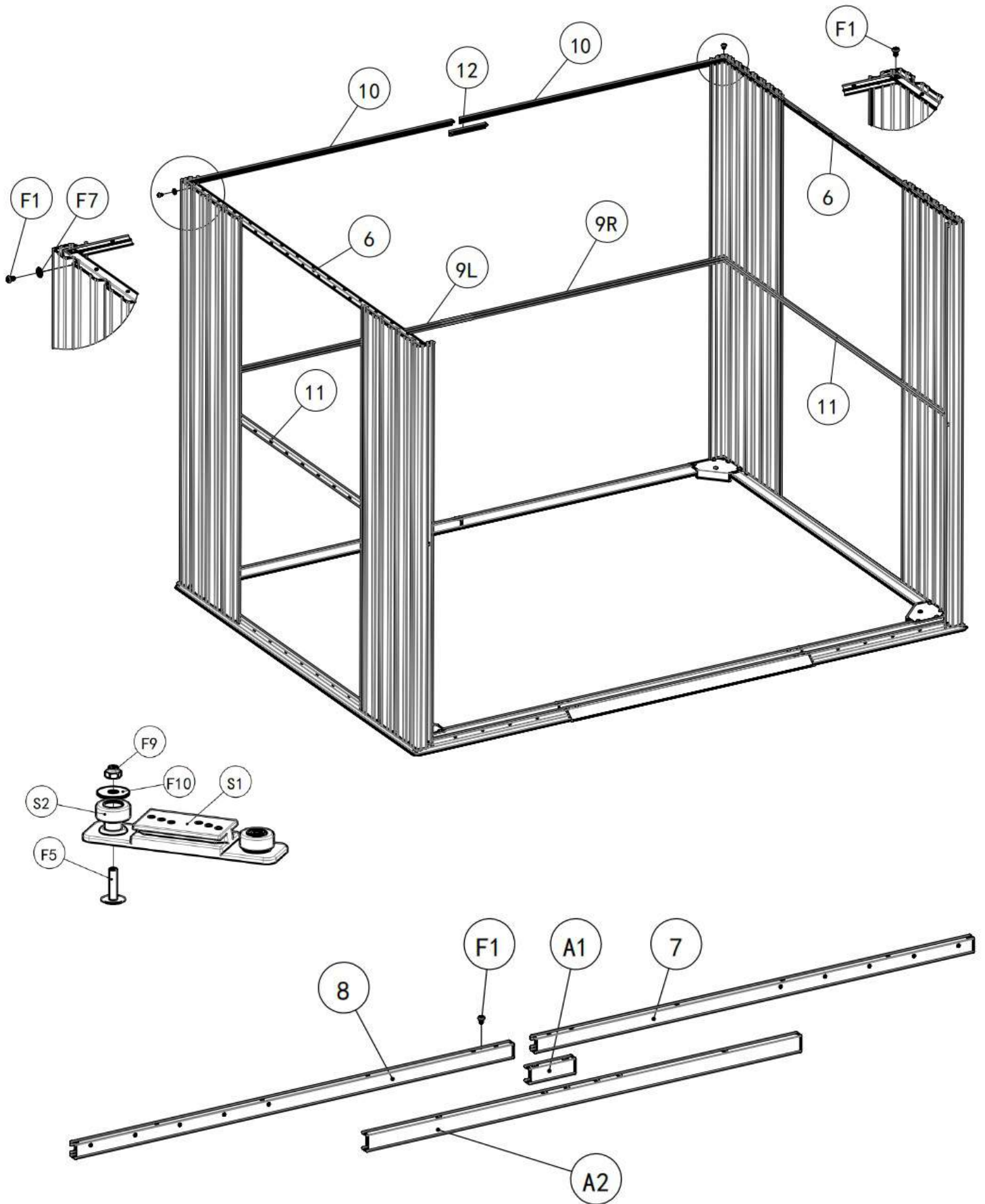


2. Wall Assembly

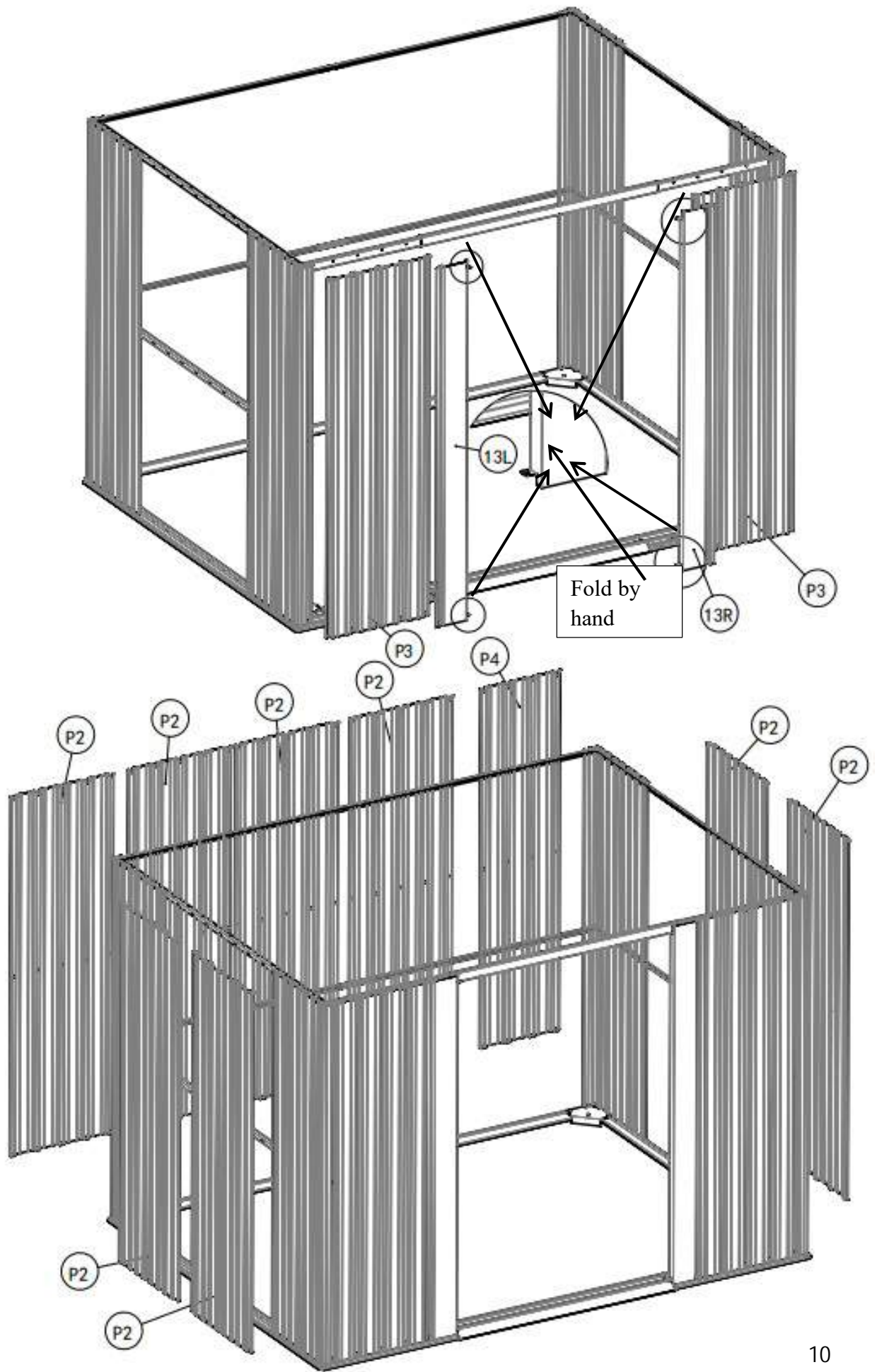
1. Install P1 on the base using F1 and F7;
2. Connect 6, 10, 11, 12, 9L, 9R with F1 and F7 on P1;
3. Connect 7, 8, A1, A2 with F1 screws;
4. Connect P3, 13L, 13R with F1 and F7 on 7 and 8;
5. Connect P2 to the base and 6, 10, 11 using F1 and F7;

Part	No	Qty	Part	No	Qty	Part	No	Qty
	P1	4		F1	200		F7	170
	6	2		10	2		11	2
	9L	1		8	1		A1	1
	9R	1		7	1		A2	1
	13R	1		P3	2		P2	8
	13L	1		P4	1		F9	8
	F10	8		F5	8		S1	4





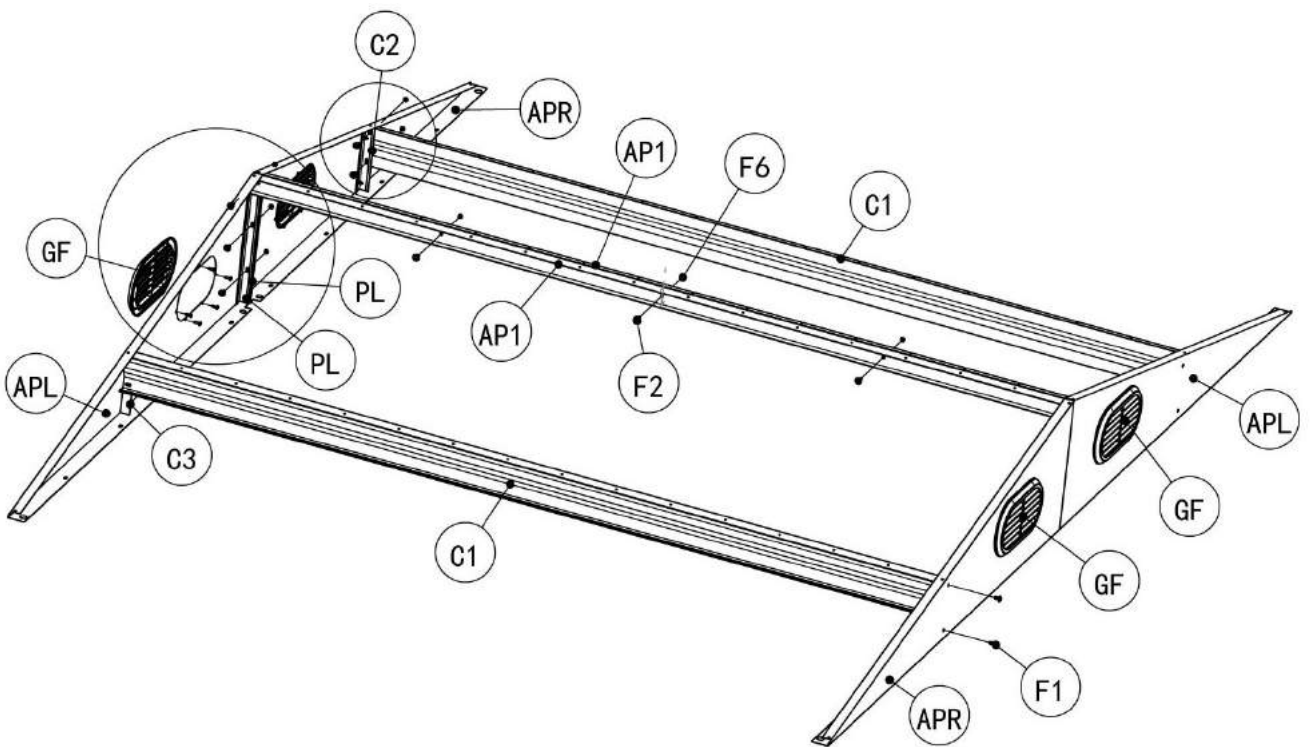
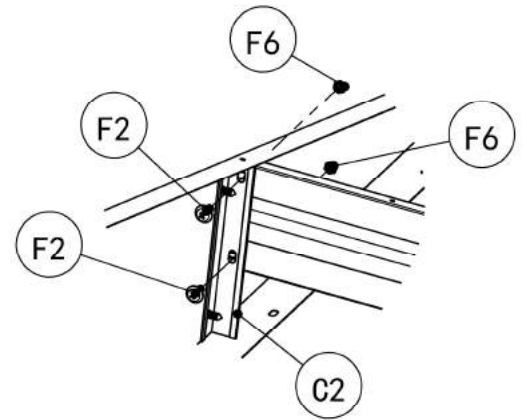
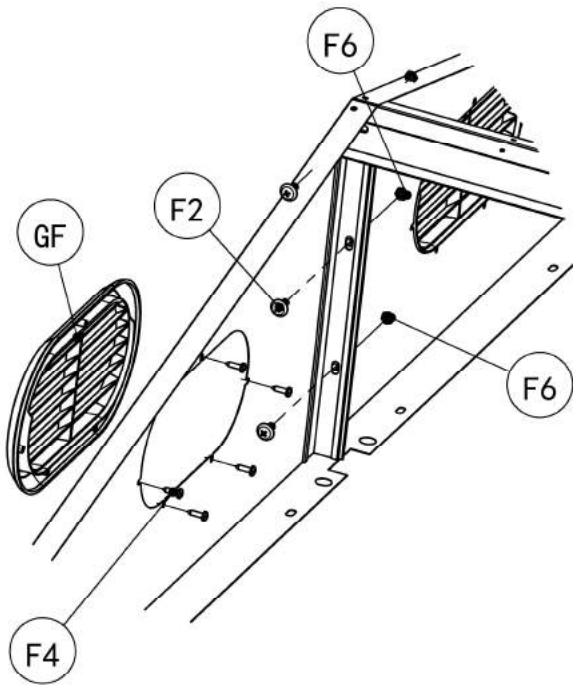
Note: Place the installed S1 and S2 into the 7 and 8 in advance.



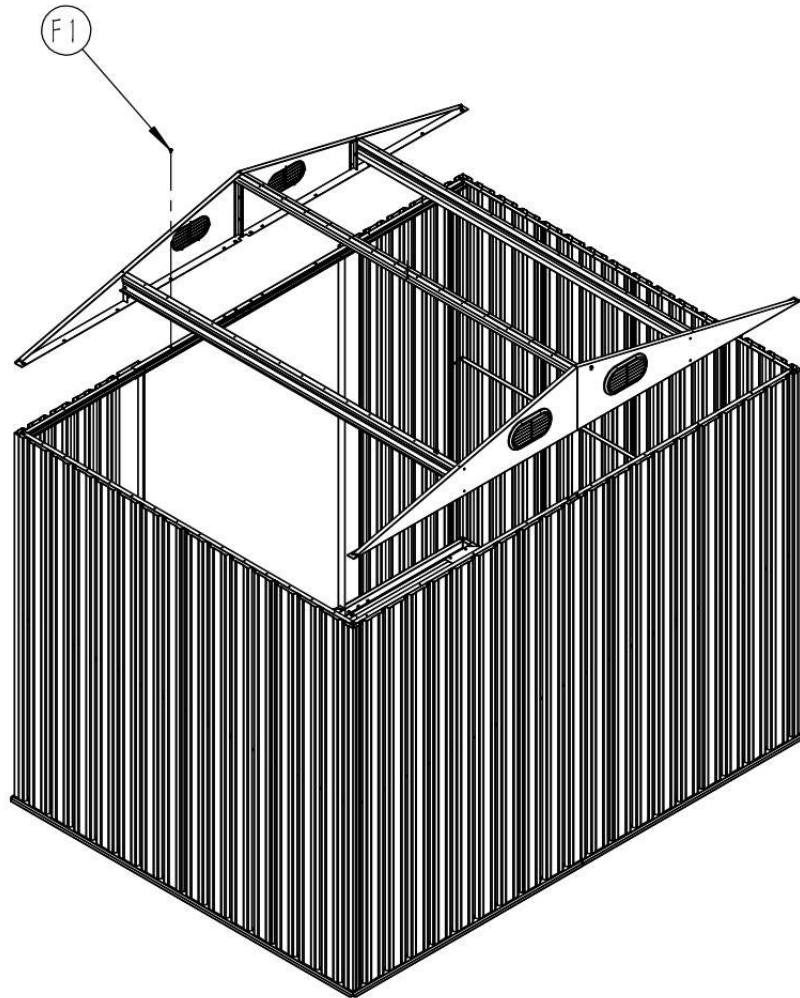
3.Roof Assembly

- 1.Clamp two AP1 pieces onto APR and APL, and fix them with F2 and F6;
- 2.PL clamps APR and APL, and connects them with F2 and F6 for fixation;
- 3.GF is fixed with F4;

Part	No	Qty	Part	No	Qty	Part	No	Qty
	APL	2		AP2	8		F2	17
	APR	2		AP5	1		F4	20
	C1	2		AP6	4		F6	17
	C2	2		AP7	2		RC2	4
	C3	2		AP7	2		GF	4
	PL	4		RT3	2		F7	112
	AP1	2		F1	158		C4	4

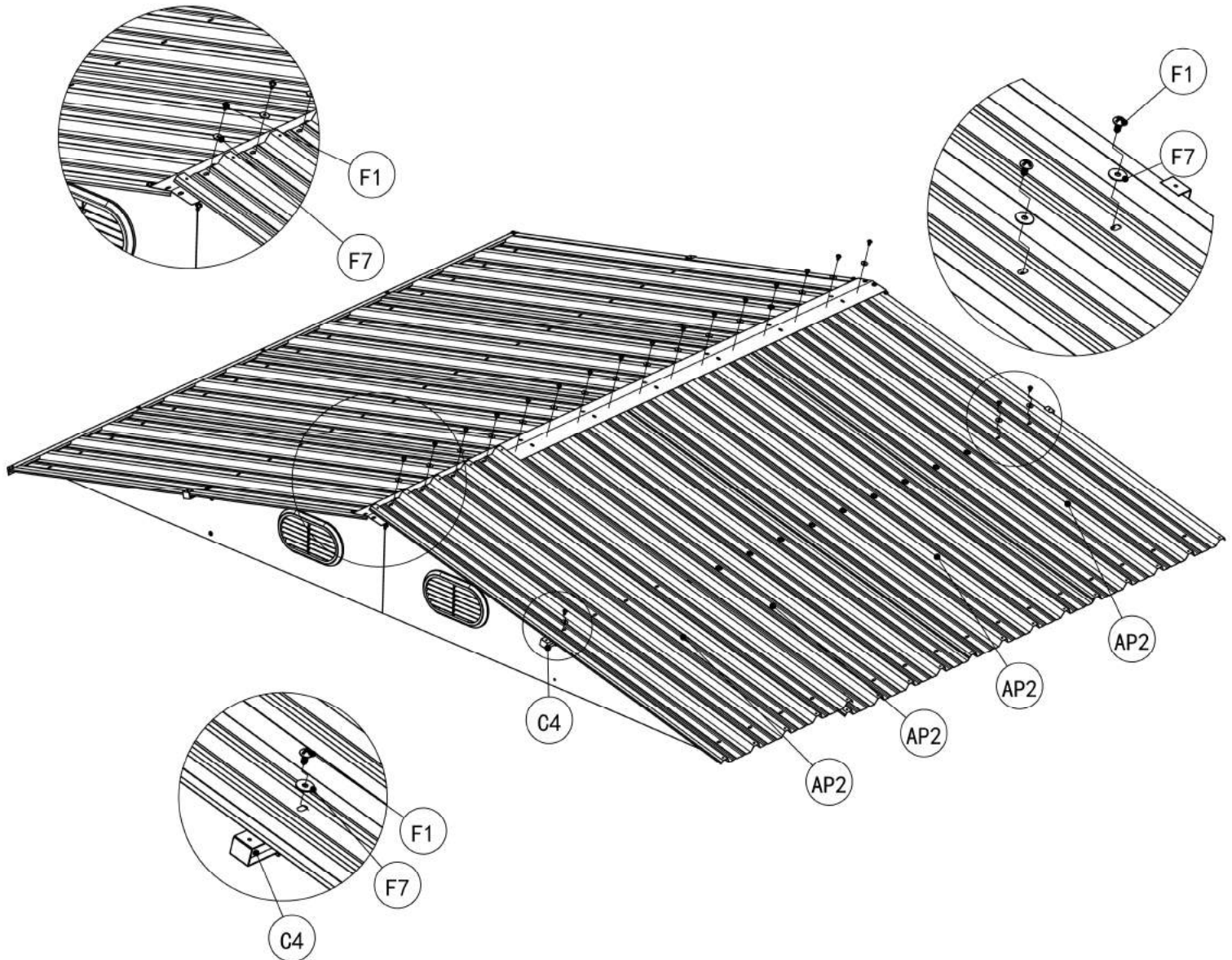


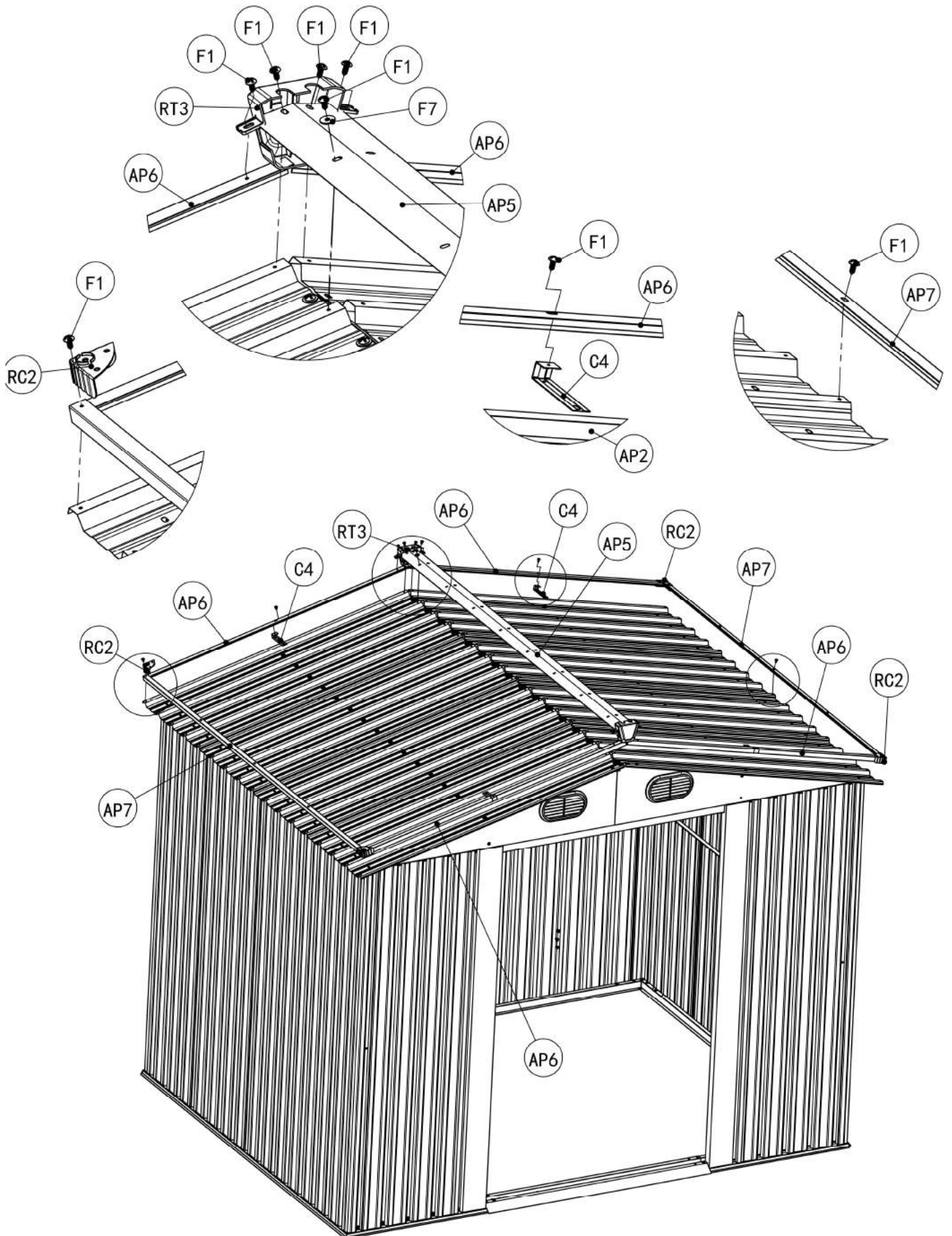
4. Fix the roof support to the wall with F1 screws.



3.Roof Assembly

- 1.Fix AP2 with F1 and F7; Insert C4 under the middle holes of the four AP2 blocks on the outermost side, and fix them with F1 and F7;
- 2.Fix AP5 with F1 and F7 on AP2;
- 3.AP5 (upper) and AP6 (lower) are connected with F1: then AP6 and C4 (inner) are fixed with F1, and RT3 is fixed on AP6 with F1;
- 4.Fix AP7 with F1 on AP2, and then connect RC2, AP6, and AP7 with F1;



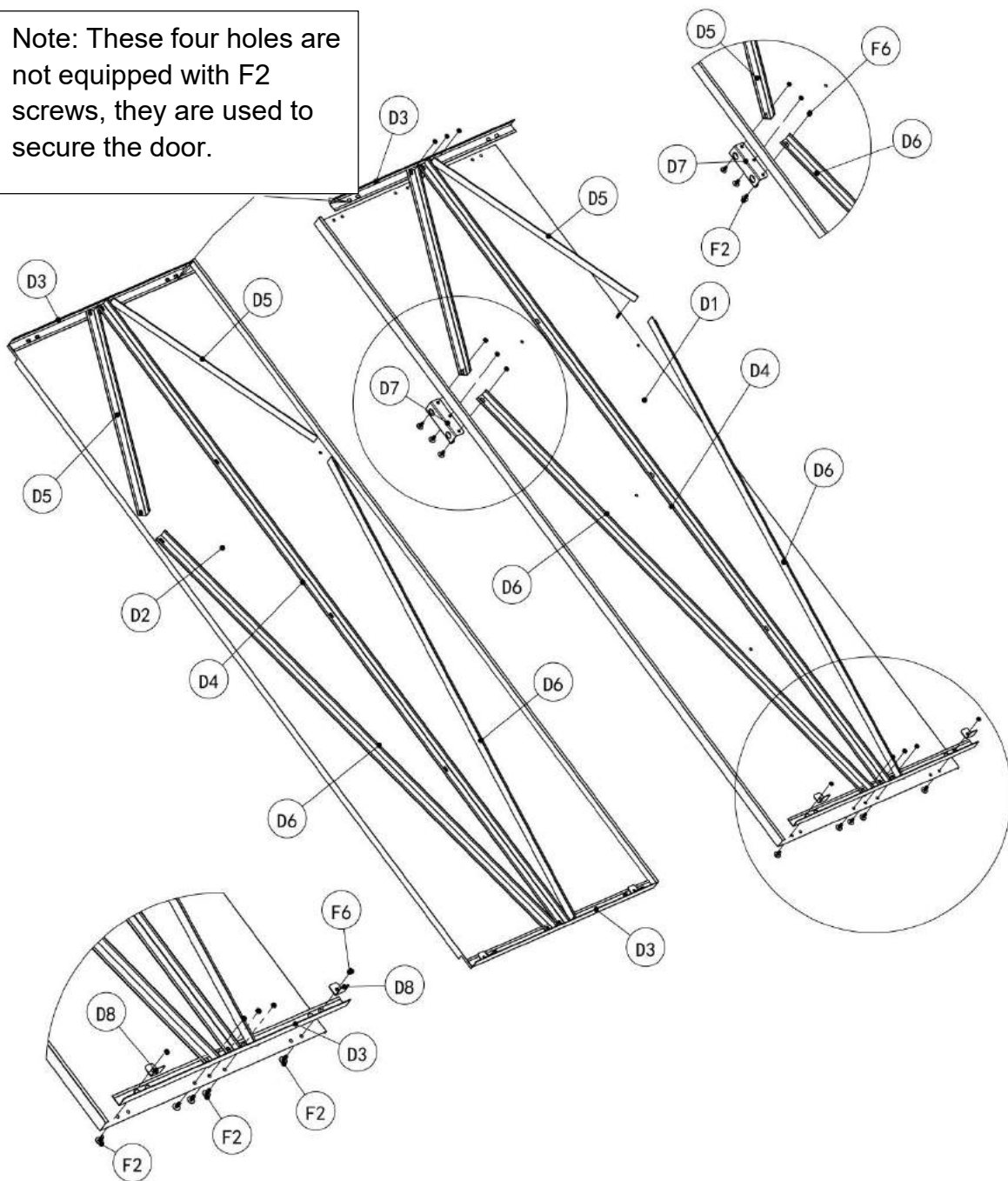


4. Door Assembly



1. Fix D3, D4, D5, D6, D7, and D8 onto D1 and D2 with F2 and F6:

Part	No	Qty	Part	No	Qty	Part	No	Qty
	D1	1		D2	1		D3	4
	D4	2		D5	4		D6	4
	D7	2		D8	4			
	F2	32		F6	32			

Note: These four holes are not equipped with F2 screws, they are used to secure the door.



2. Place the lower end of the door into slots 2, 3, and 5, and fix it with F1 on the already installed S1 (S1 has three adjustable connection holes)
3. Put F8 to cover exposed F1 inside for protection.

Part	No	Qty
	F1	8
	F8	150

