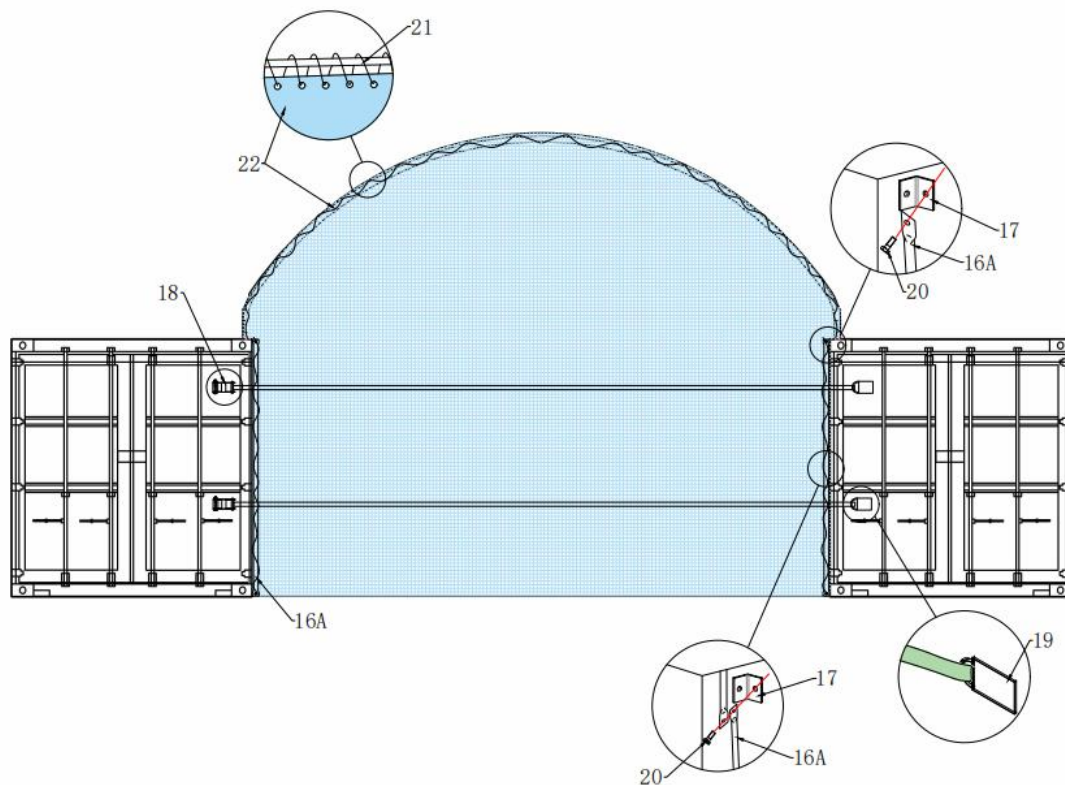


Closed Endwall for C20 without frame

NO.	Description	QTY
16A	Tension Tube for back panel	4
17	Angle Seat	6
18	Big ratchet	2
19	Iron plate	2
20	Bolt	6
21	Rope	1
22	Cover	1

Find out the spare parts, and check the qty and function according to the list above.



Assembly the cover according to above drawing.