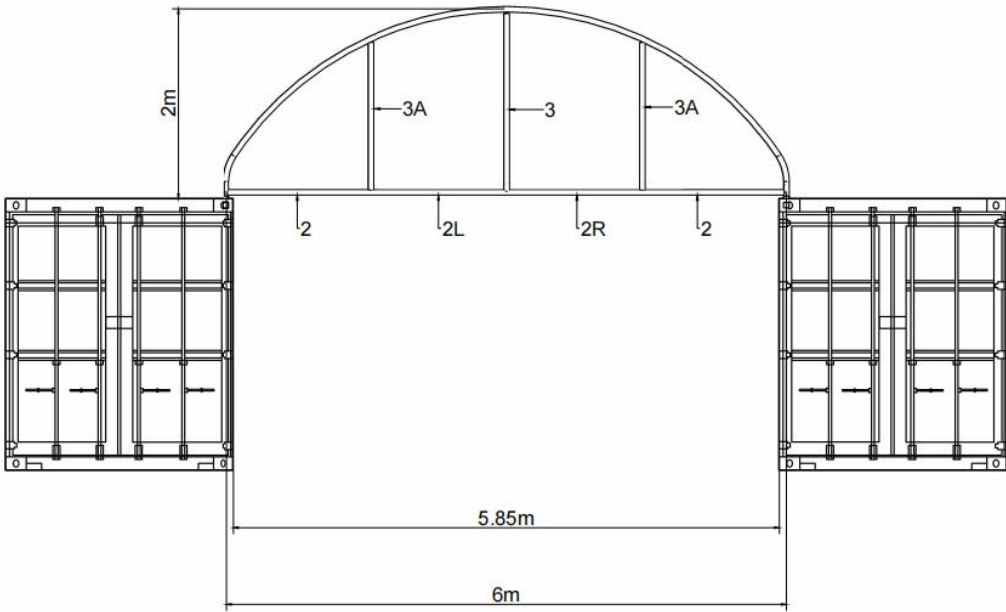


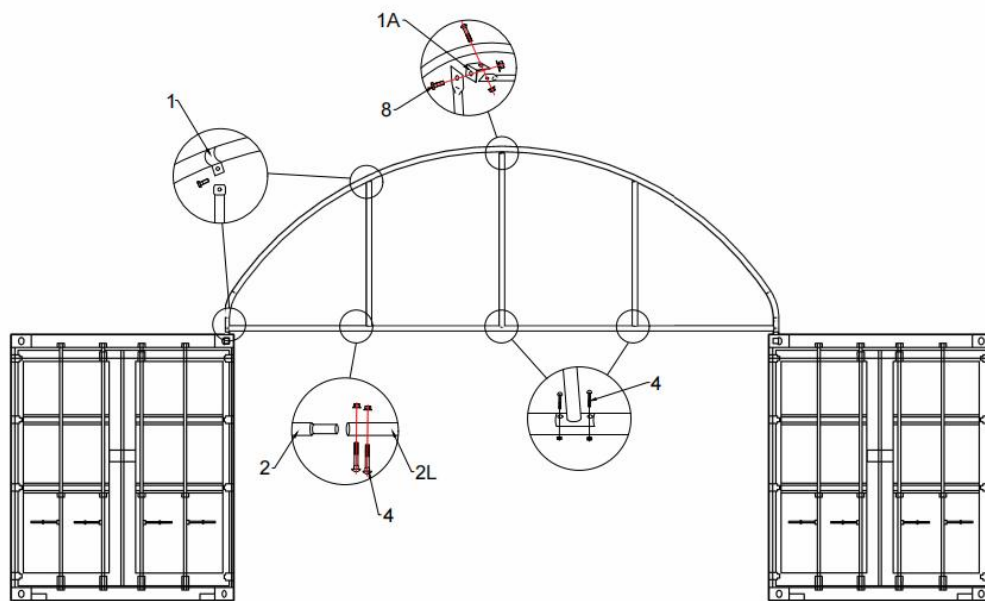
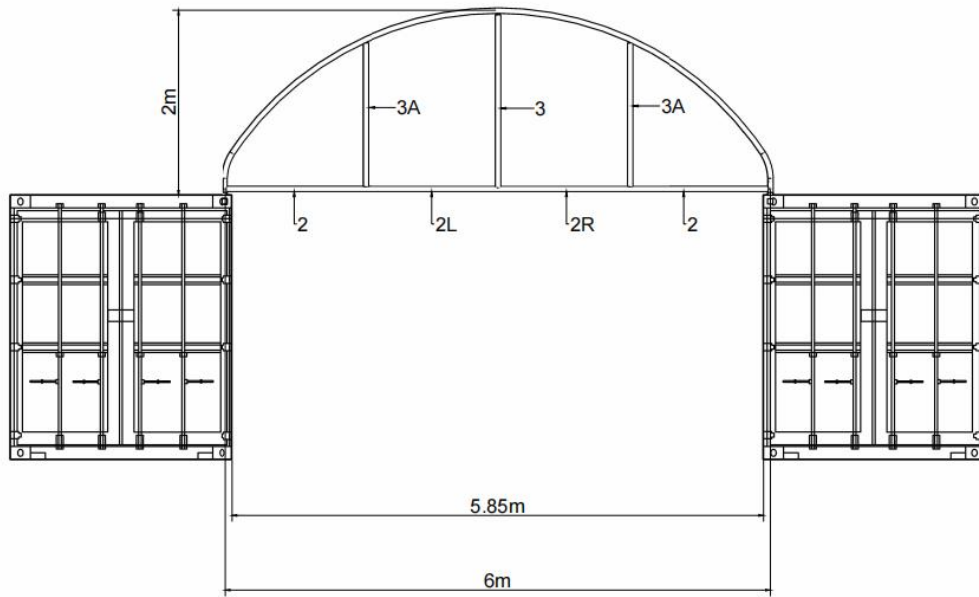
Half Endwall for C20 with frame

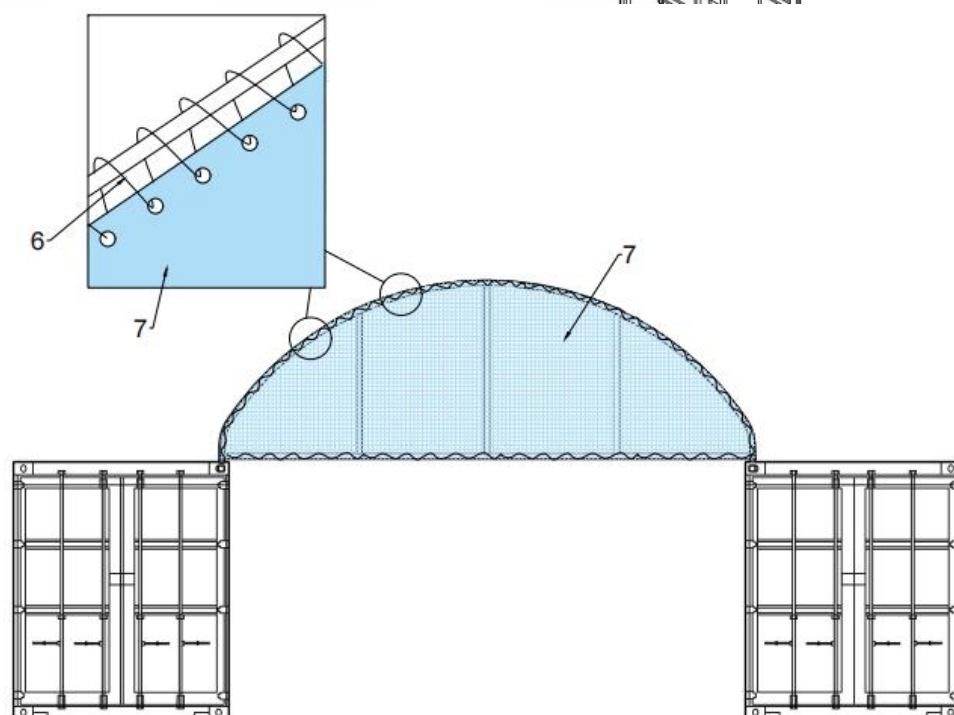
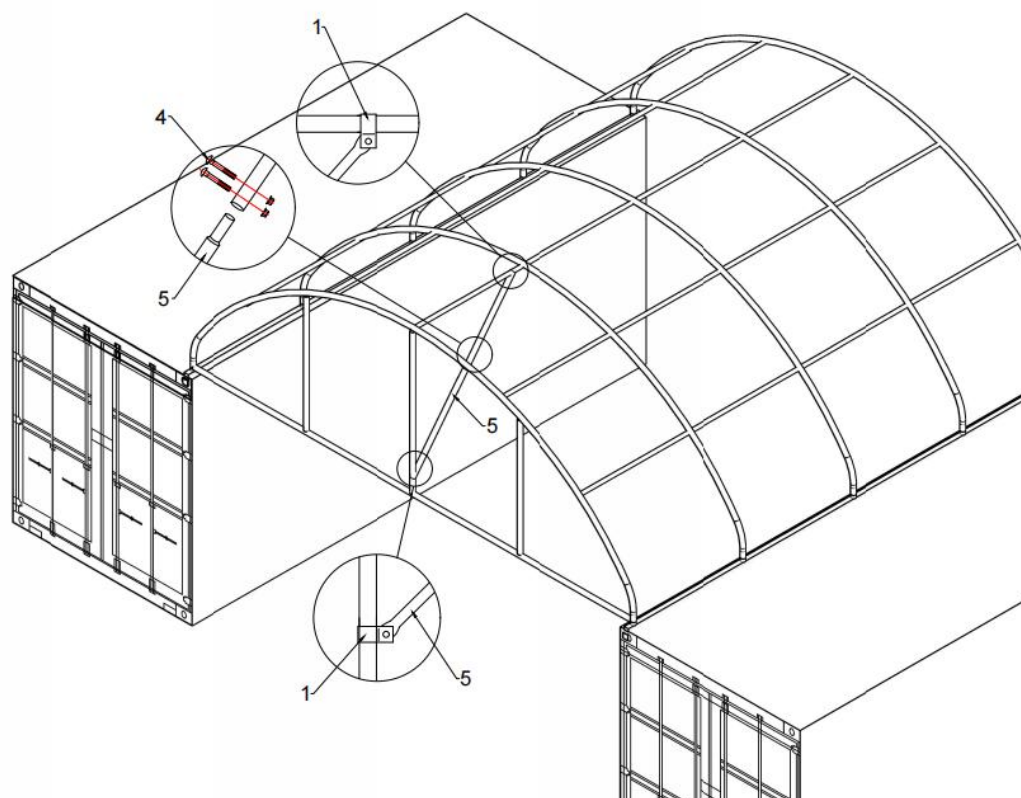


NO.	Description	QTY
1	Clips $\Phi 76$	7
1A	2 holes angle iron	1
2	Side beam	2
2L	Middle Beam at left	1
2R	Middle Beam at right	1
3	Suspendiing tube at middle	1
3A	Suspendiing tube at side	2
5	Braced Tube	1Group
4	Carriage bolts $\phi 8 \times 60$	8
6	Rope	1
7	Half Cover	1
8	Bolts 10x30	1

Find out the spare parts, and check the qty and function according to the list above.

Half end wall for C20





Assembly the frame first according to above drawing. Then use ropes No.6 to tie the cover to the frame.