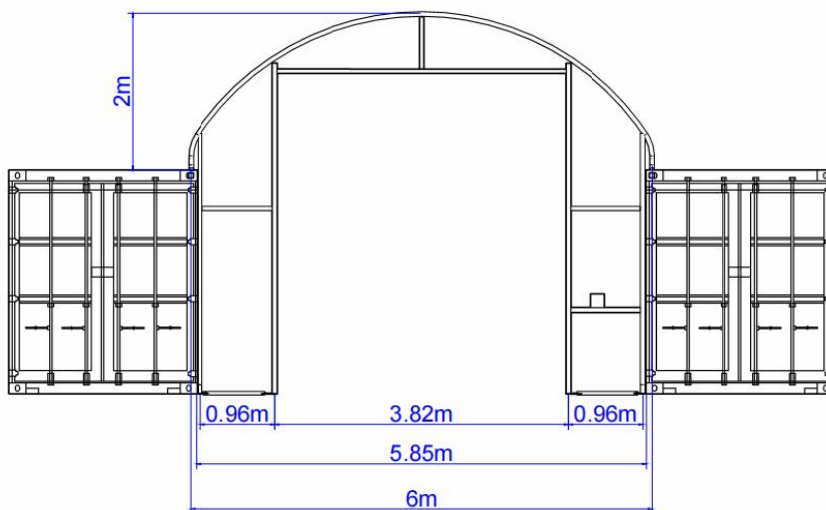
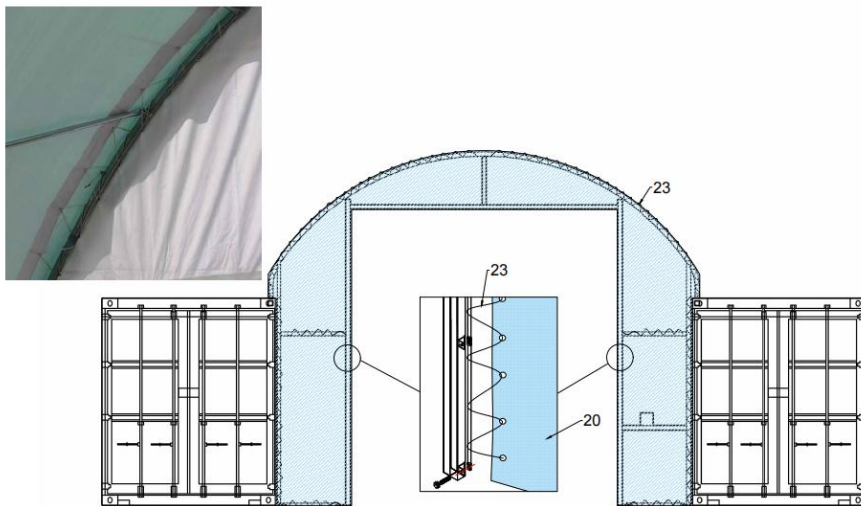


# End panel for C20

## Front panel with winch door

ASSEMBLY ON 40GP or 40HQ CONTAINER

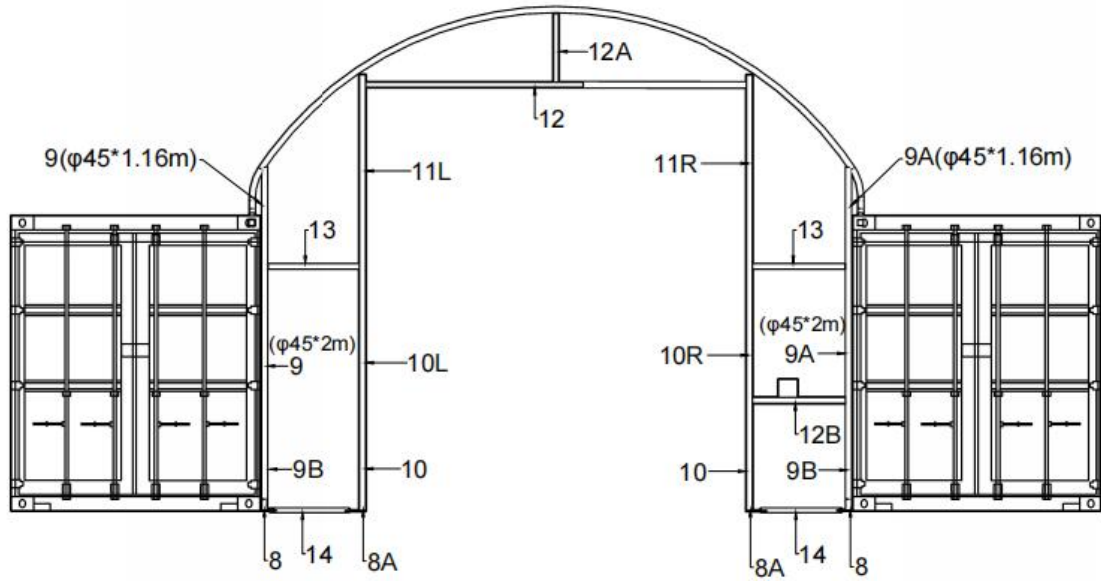


Door size: 3.66m x 3.5m

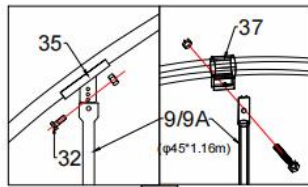
## Parts List

<b>Code</b>	<b>Description</b>	<b>Qty</b>
8	Base plate for the door track	2
8A	Base plate for door	2
9	Side Standing legs	1Group
9A	Side Standing legs for winch door	1Group
9B	Adding standing leg	2
10	Adding door track	2
10L	Left lower door track for door	1
10R	Right lower door track for door	1
11L	Left Upper door track for door	1
11R	Right Upper door track for door	1
12	Winch door's beam	2
12A	Winch door's suspending Tube	1
12B	Square Tube for winch wheel	1
12C	Winch wheel with wire	1
13	Door horizontal pipe	2
14	Winch door bottom tensioning tube	2
20	Cover	1
23	Rope	1
24	Plastic plug	4
29	Bolts M10*90	46
30	Carriage bolts M8*70	16
32	Bolts M10*30	2
32A	Bolts for clips M10*60	4
33	Door Plumb Tube	8Groups
34	tent stake	8
35	Semiarc iron plate	4
36	Splint	8
37	Clip 45	4
38	Angle Iron	1

# A---Front wall assembly

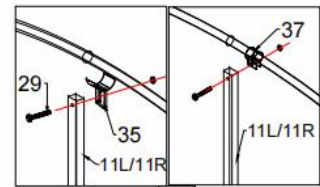


As Above Figures shows, find out all spare parts for the front wall.



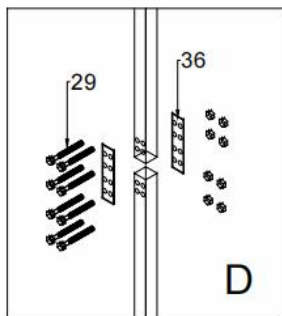
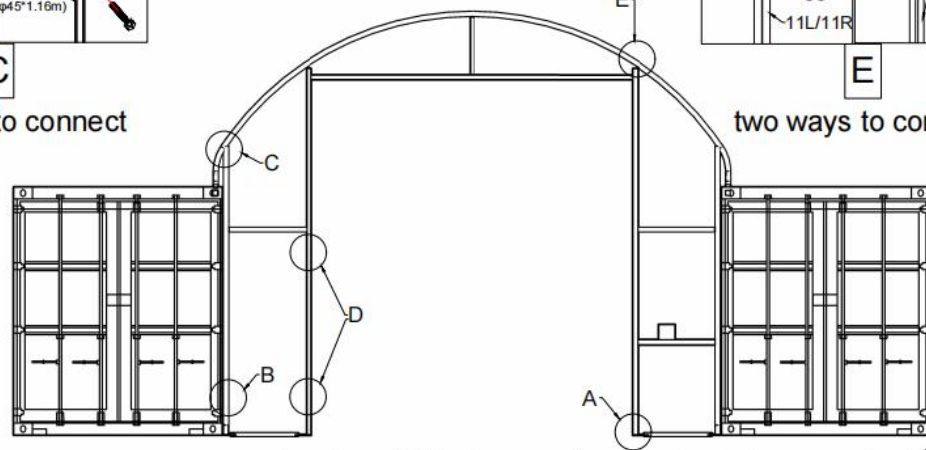
C

two ways to connect

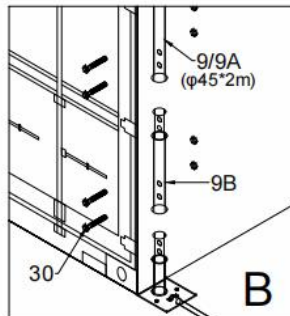


E

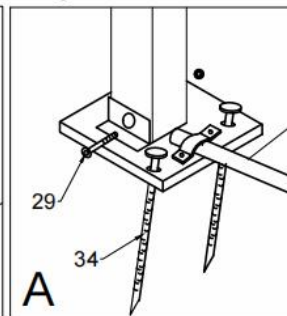
two ways to connect



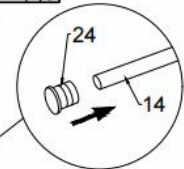
D



B

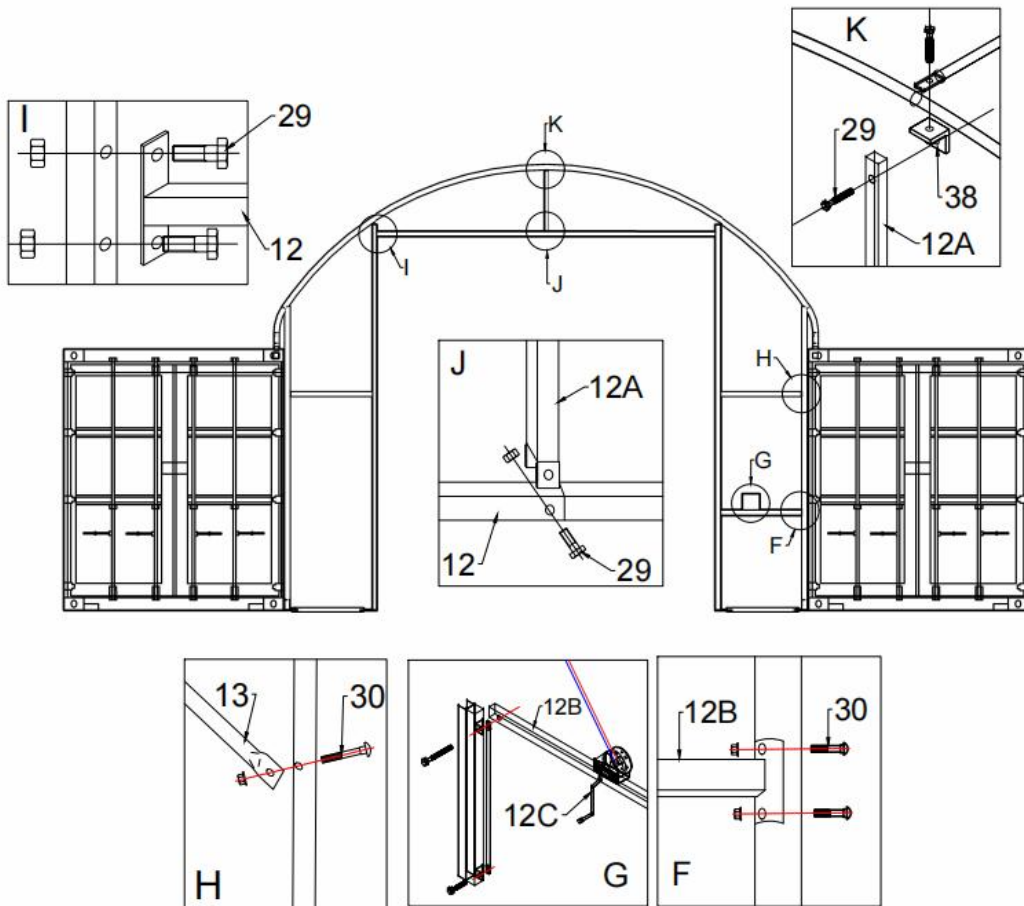


A

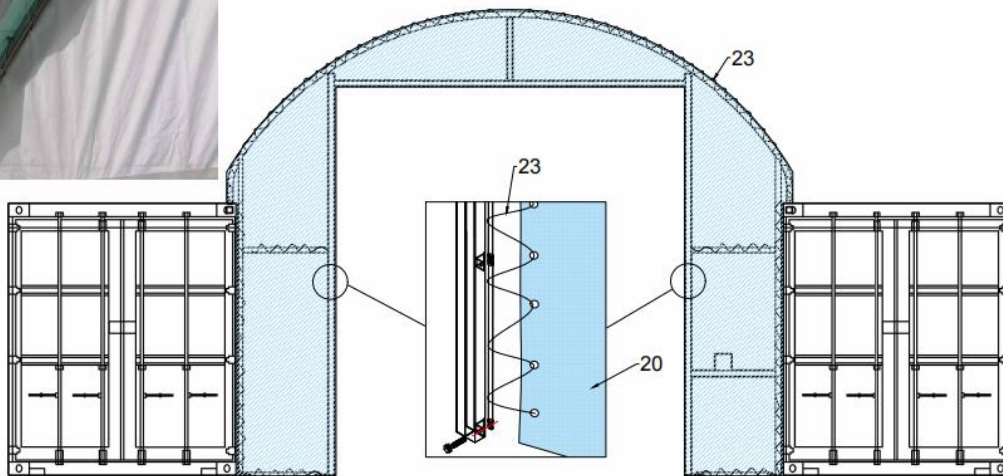


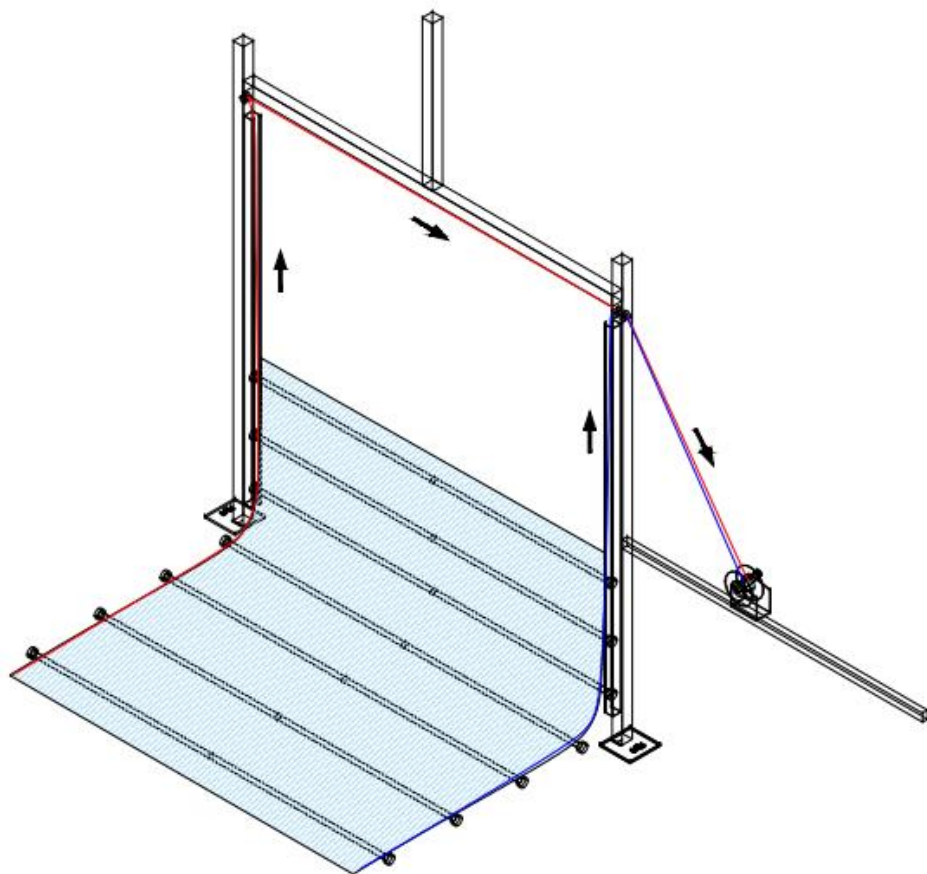
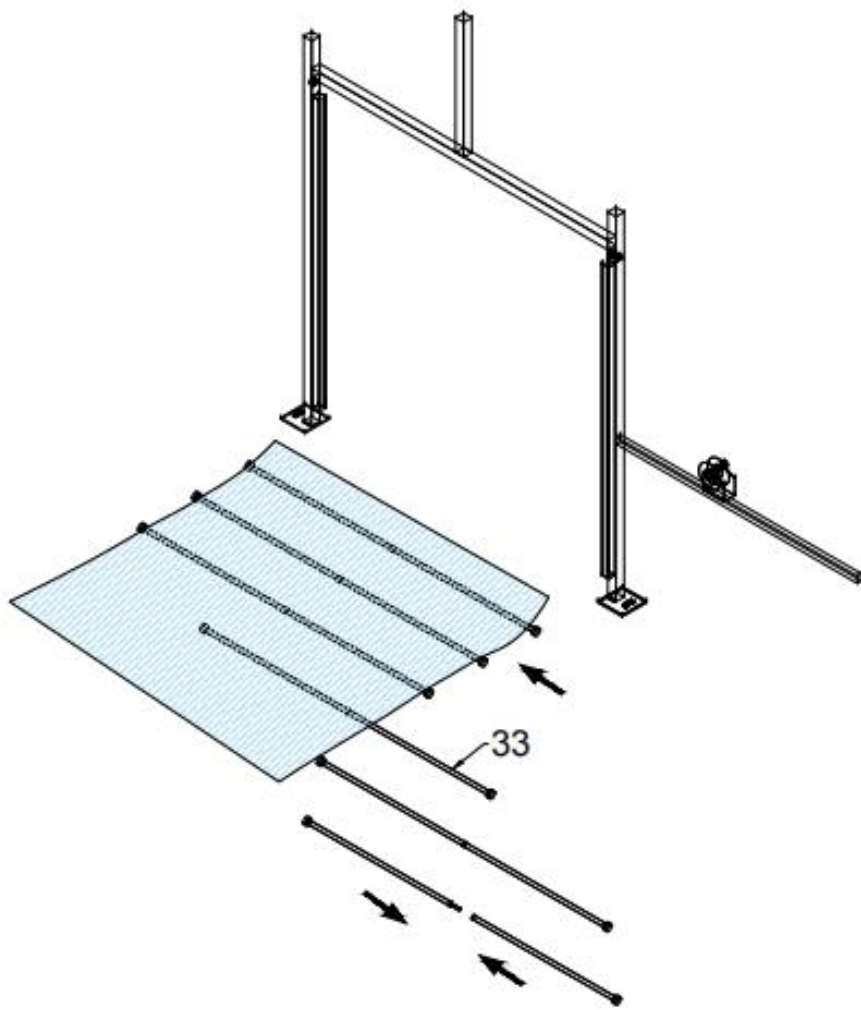
24

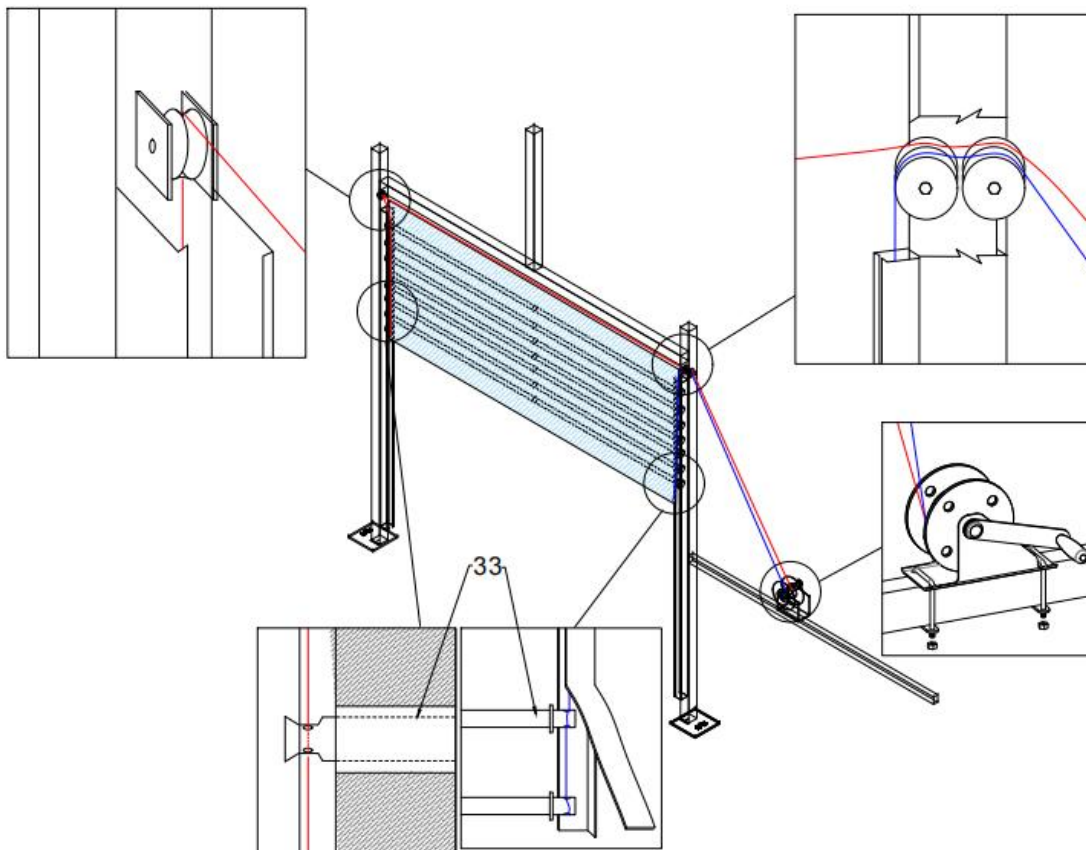
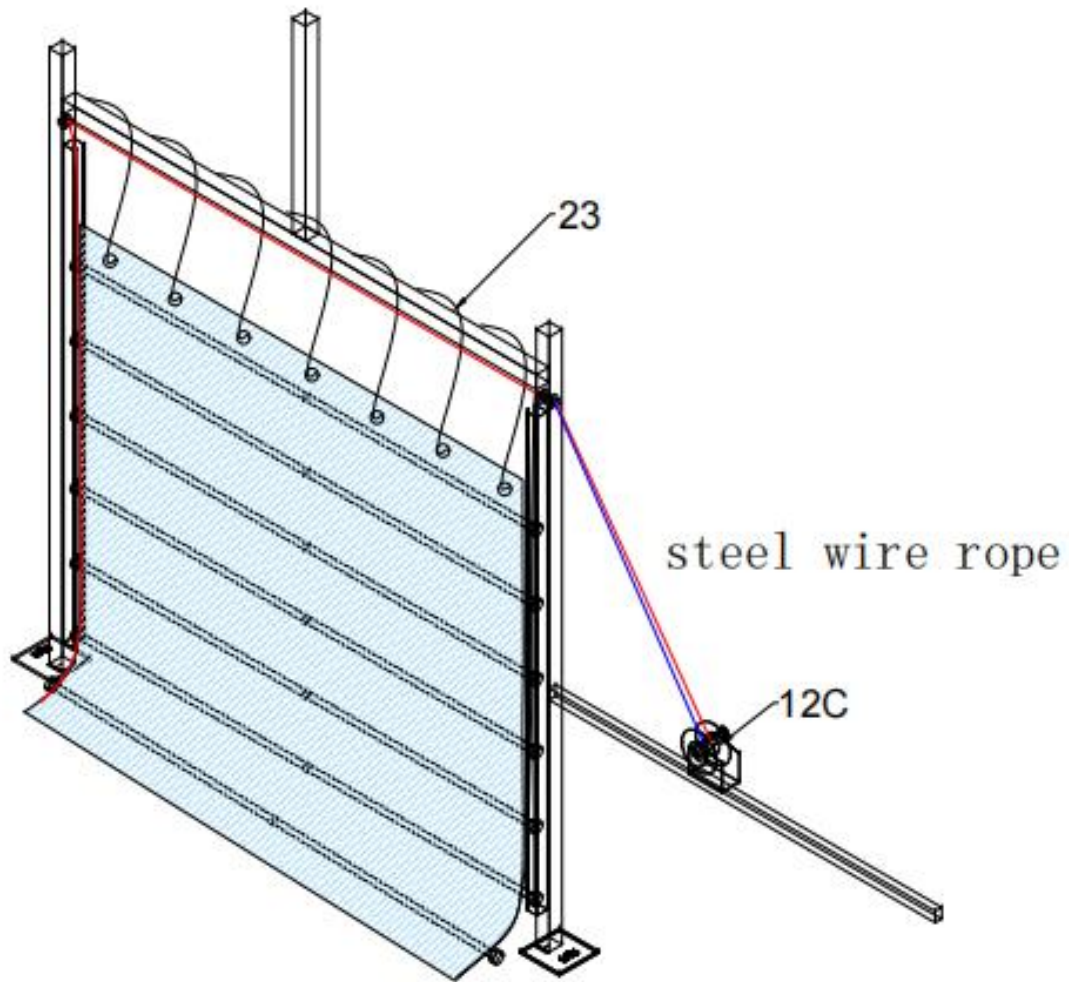
14



Make sure the pacing, and then use screws to connect those spare parts together.







After assembly the front wall, find out the front cover, use ropes to tie the front cover to the front wall. There are some dropping tubes(No.33) need to be insert into the door cover, use steel wire to insert into all these dropping tubes one by one, and go through the pulley from top to bottom & from bottom to top. Tie the end of the steel wire to the winch wheel. Thus when you move the winch wheel, the door could be go up and down.