

SHELTER

ASSEMBLY MANUAL

Series: 40xx20R

Single Trussed

Model 406020R Size: W12.2mxL18mxH6.1m

Model 408020R Size: W12.2mxL24mxH6.1m

Model 4010020R Size: W12.2mxL30mxH6.1m



SPECIFICATION

Model 406020R	Size:	Width: 12.2m	Length: 18m	Height: 6.1m
Model 408020R	Size:	Width: 12.2m	Length: 24m	Height: 6.1m
Model 4010020R	Size:	Width: 12.2m	Length: 30m	Height: 6.1m

IMPORTANT---READ MANUAL FIRST

Improper site preparation, assembly and maintenance may invalidate warranty and cause unnecessary and costly mistakes. If you have any questions contact your local dealer.

For User Friendly assembly we have identified each individual component with the part code as indicated in the parts list. Please refer to the part code numbers and drawing to ensure problem free assembly.

It's necessary to tighten the roof fabric enough to avoid "hammocks" on the roof and also re-tighten once or twice again after a few months of use. This is important when assembly in cold weather (autumn and winter) because the fabric is stiff then and when we got the sun and warm weather afterwards it will make the fabric " slack " again and need to be re-tighten before next winter.

It's **the owners responsibility** to take of snow immediately if not slide of by itself.

READ ALL INSTRUCTIONS BEFORE ASSEMBLY

1. Keep work area clean. Cluttered areas invite injuries. Do not set up near snow drifts, in slippery places, in high winds, or wet location.
2. Keep children away. All children should be kept away from the work area. Be aware of personal safety. Be careful not to pinch fingers with clips and tubes when assembling: when using makes sure there is adequate ventilation for exhaust and other dangerous fumes.
3. Do not over reach. Keep proper footing and balance at all times.
4. Do not assemble if under the influence of alcohol or drugs. Read warning labels on prescription to determine if your judgment or reflexes are impaired while taking drugs. IF there is any doubt, do not assemble.
5. Be aware of possible windy conditions; fasten the base in concrete if these situations may occur. Remove the cover during hurricane.
6. Be careful with power and heat sources. Do not keep heat sources near the tarpaulin. Do not expose to open flame.
7. Be aware of personal safety during assembly and use. Be careful not to pinch fingers with clips and tubes when assembling. when using makes sure there is adequate ventilation for exhaust and other dangerous fumes.

406020R/408020R/4010020R Spare Parts List

NO.	Description	Qty			
		406020R 2m Spacing	408020R 2m Spacing	408020R 2.4m Spacing	4010020R 2m Spacing
1	Roof bent tube	10	13	11	16
2	Upper bent tube	20	26	22	32
3	Sidewall tube	20	26	22	32
4	Lower bent tube	20	26	22	32
5	Purlin	63	84	70	105
5A	Support tube for roof frame	12	12	12	12
6	Base plate for corners	4	4	4	4
6A	Base plate for tie the roof cover	0	0	0	2
7	Base plate for sidewall	16	22	18	28
7A	Ratchet	20	26	22	34
8	Base plate for front and back door	4	4	4	4
9	Base plate for front and back door	4	4	4	4
10	Lower standing leg on front and back door	8	8	8	8
11	Upper standing leg on front and back door	4	4	4	4
11A	Side Upper standing leg on front and back door	4	4	4	4
12	Beam on front and back door	4	4	4	4
12A	Vertical support tube on front and back door	2 groups	2 groups	2 groups	2 groups
13	Connecting tube on front and back door	4	4	4	4
13A	Side Connecting tube on front and back door	4	4	4	4
14	Base tension tube on both doors	4	4	4	4
14A	Side Base tension tube on both doors	4	4	4	4

15	Angel seat on front and back door	12	12	12	12
15A	Angel seat for No.12A	2	2	2	2
16	Steel wire for sidewall	18	24	20	30
17	Triangle Steel Plates	10	12	10	16
17A	Clamps	24	24	24	24
18	Bolt M12x110mm	78	99	85	120
19	Bolt M10x100mm	200	248	216	296
20	Bolt M10x30mm	24	24	24	24
21	Bolt M10x80mm	4	4	4	4
22	Nylon tension band	20	26	22	34
23	Plastic plug	20	20	20	20
24	Rope	1	1	1	1
25	Stake peg	76	94	82	116
26	Drop tube for front and back door cover	2 groups	2 groups	2 groups	2 groups
27	Tension tube for roof cover	2 groups	2 groups	2 groups	2 groups
28	Roof cover	1	1	1	1
29	Front and back cover	2	2	2	2
30	Bungee	4	4	4	4
31	PVC	0	0	0	4
32	Small Ratchet	0	0	0	56
A1	Clip for lacing front cover	2	2	2	2

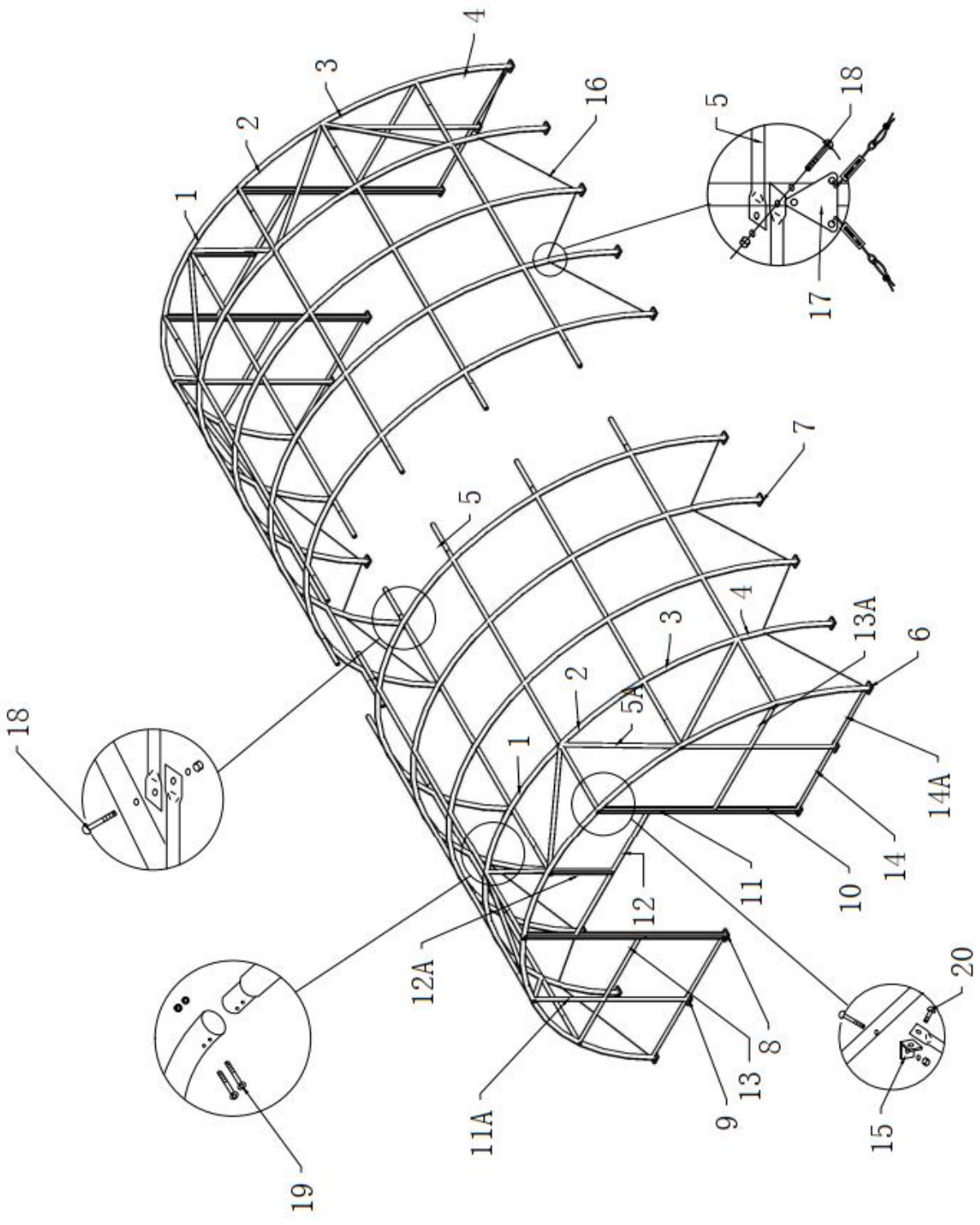


Figure 1 Frame Sketch

Model 406020R	Size:	Width: 12.2m	Length: 18m	Height: 6.1m
Model 408020R	Size:	Width: 12.2m	Length: 24m	Height: 6.1m
Model 4010020R	Size:	Width: 12.2m	Length: 30m	Height: 6.1m

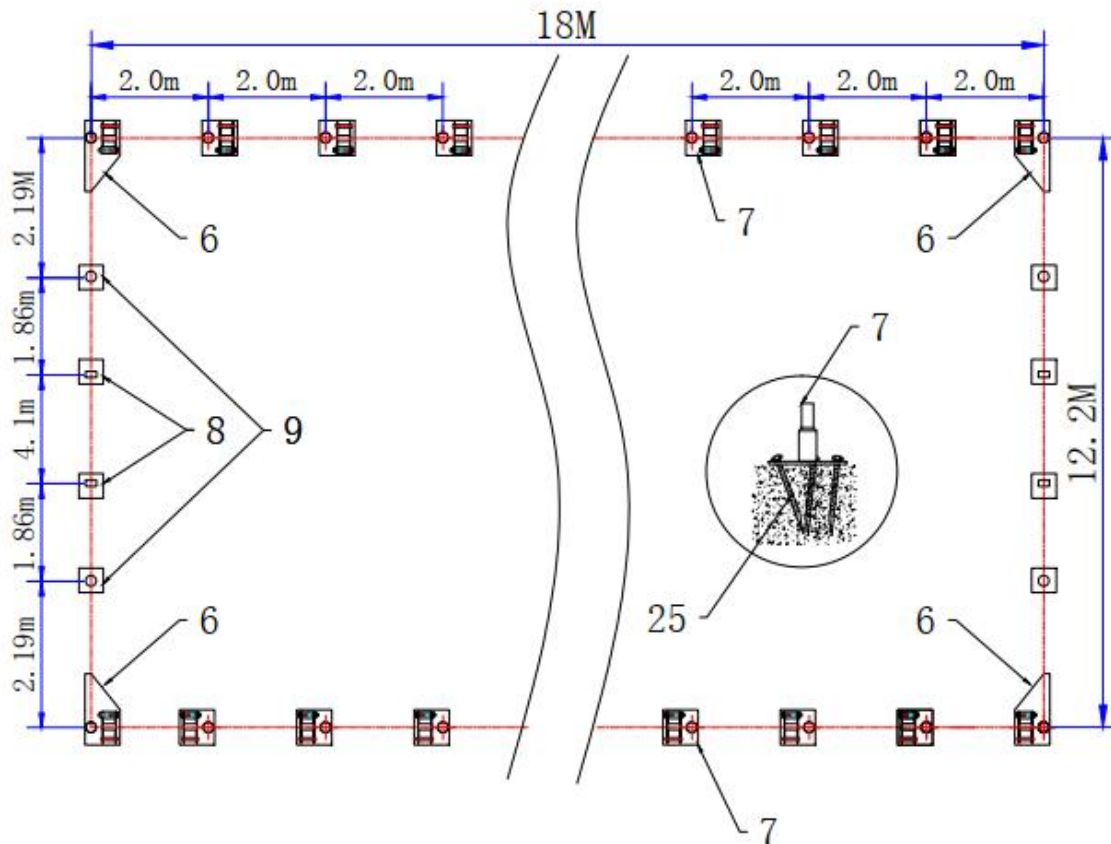
EQUIPMENT AND TOOLS FOR INSTALLATION

- | | |
|-------------------|----------------------------|
| 1. Measuring Tape | 2. String for alignment |
| 3. Stake | 4. Ladder or Scissors Lift |
| 5. Sledge Hammer | 6. Drill |
| 7. Wrench | 8. Knife |
| 9. Hoist | |

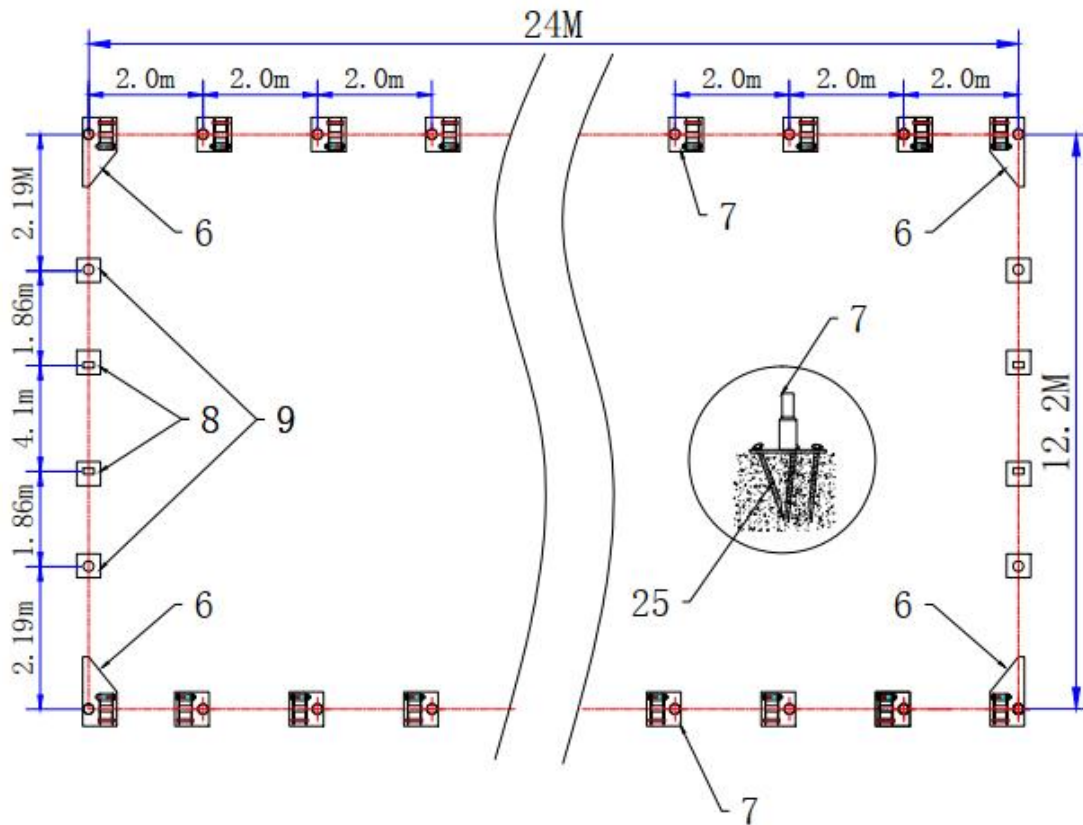
INSTALLATION PROCESS

A---BASE INSTALLATION

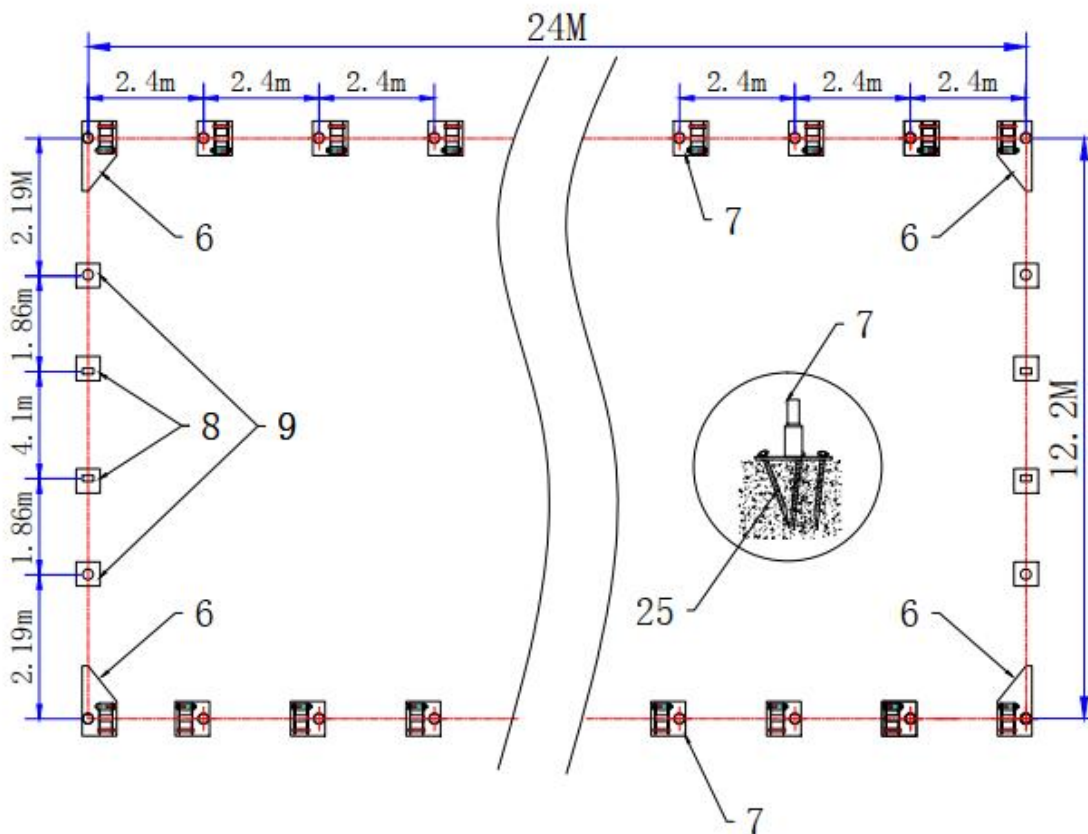
Please refer to the diagram (Figure 2) to place the base plates:



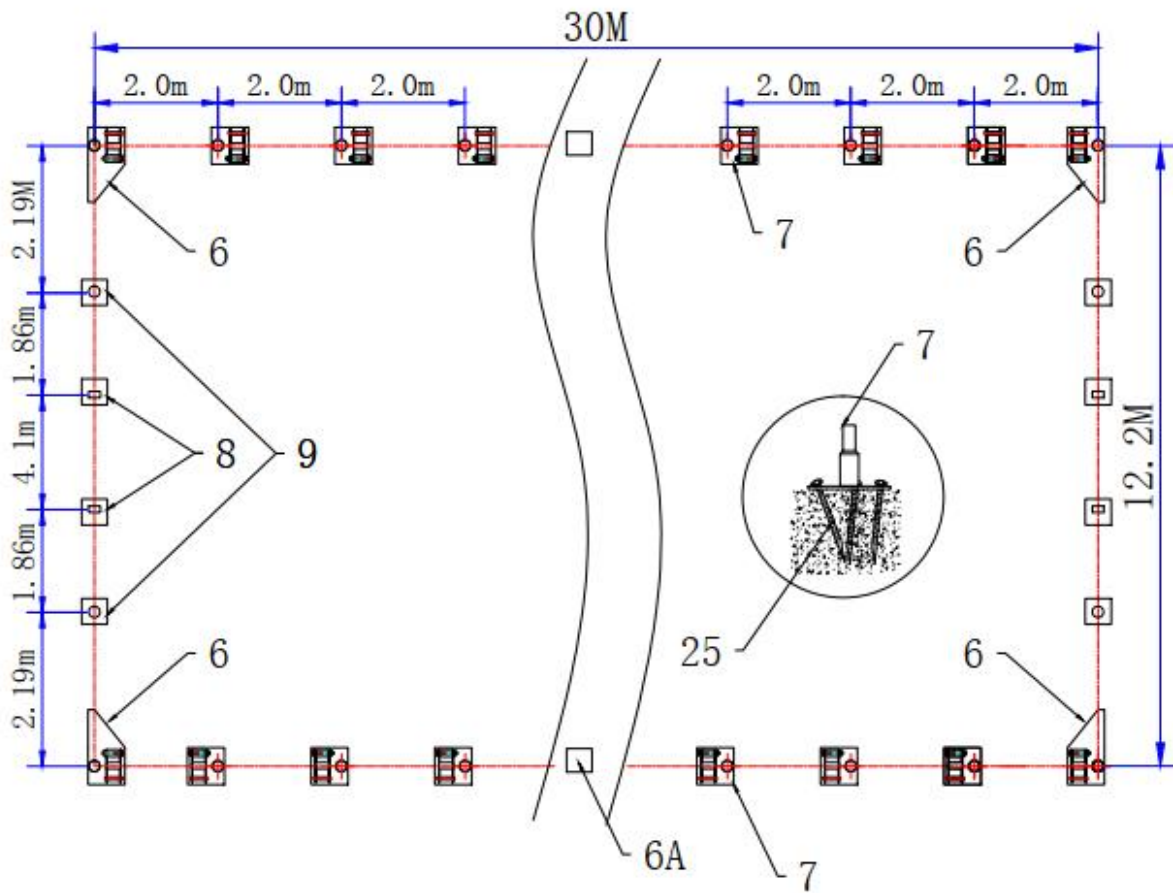
Above is layout for model 406020R, 2m spacing



Above is layout for model 408020R, **2m** spacing



Above is layout for model 408020R, **2.4m** spacing



Above is layout for model 4010020R, 2m spacing

Figure 2

Please make sure the right spacing before assembly.

1. The measurement is from center to center of tubes on the base palates. Referring to the above diagram and confirm the place of base plates. Ensure that the foundations is square.
2. As figure 2 shows base plate(No.6,7) is equipped with 3 pieces of stake peg(No.25),base plate(NO.8,9) is equipped with 2 pieces of stake peg(No.25).

Note: Expansion bolt will suitable for concrete, and stake pegs apply for normal conditions, not suitable to the rock ground, frozen soil and concrete ground.

B---FRAME INSTALLATION

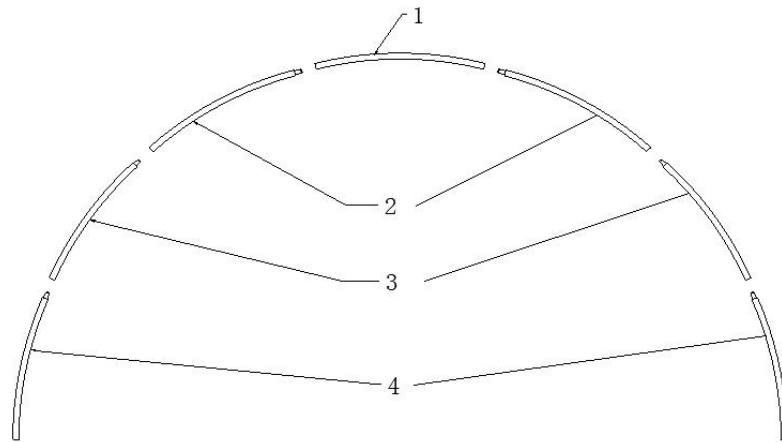


Figure 3

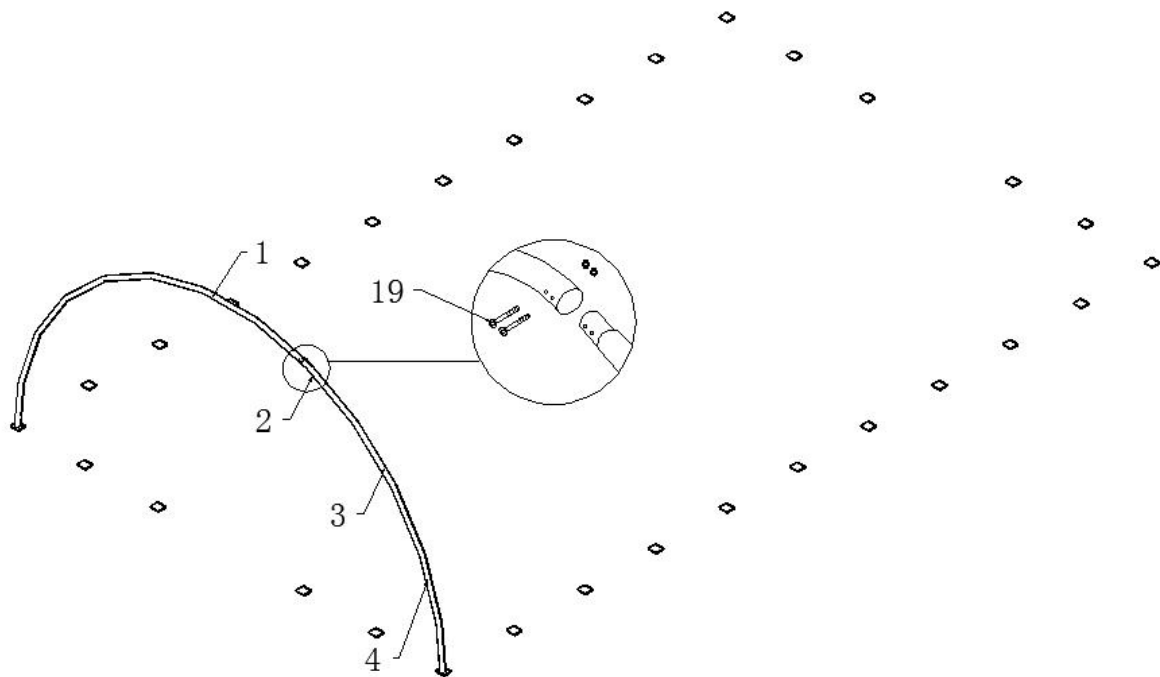


Figure 4

1. (Part No. 1*1+No.2*2+No.3*2+No.4*2) As **Figure 3** and **Figure 4** shown to find one piece of Roof bent tube (No.1), two pieces of Upper bent tube for front and rear door(No. 2A), two pieces of Sidewall tube(No.3), two pieces of Lower bent tube (No. 4) . Connect them by using Bolt M10x100 (No. 19), which makes the first group of front door arch frame.Put the first group of arch frame into the base plates like the Figure 4 shows.

Note:Please note that the difference between front/back arch and middle arch.Front and back arches should use No.2A,middle arches should use No.2.

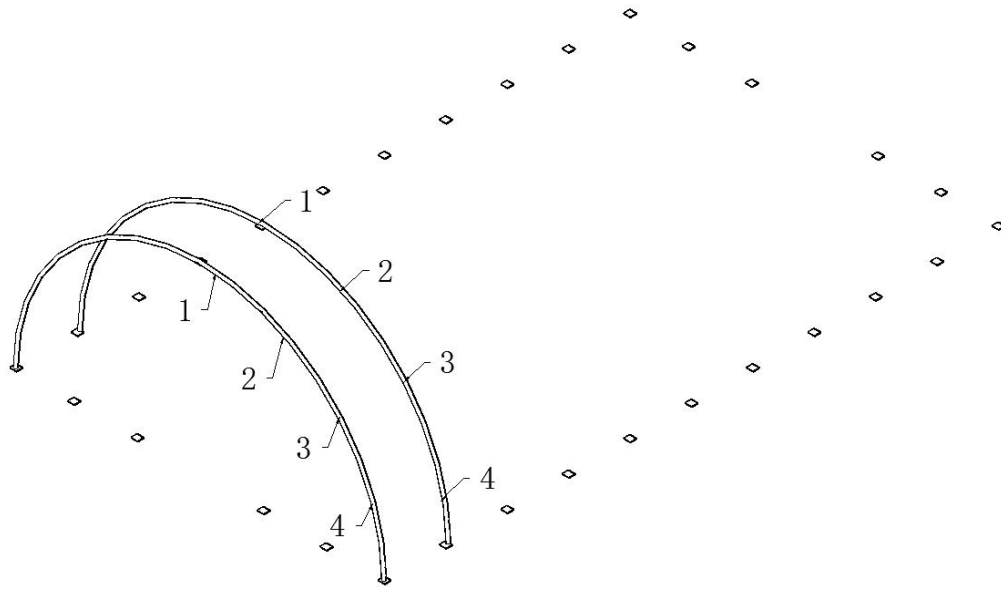


Figure 6

2.Put the second group of arch frame into the base plates like the Figure 6 shows.Use purlins(No.5) to connect them by boltM12x100(No.18) and angle iron(No.17),then install the third arch into the base plate and connect the purlins.In this turn fix all other arches and purlins as figure 7 shown until the frame is completed.

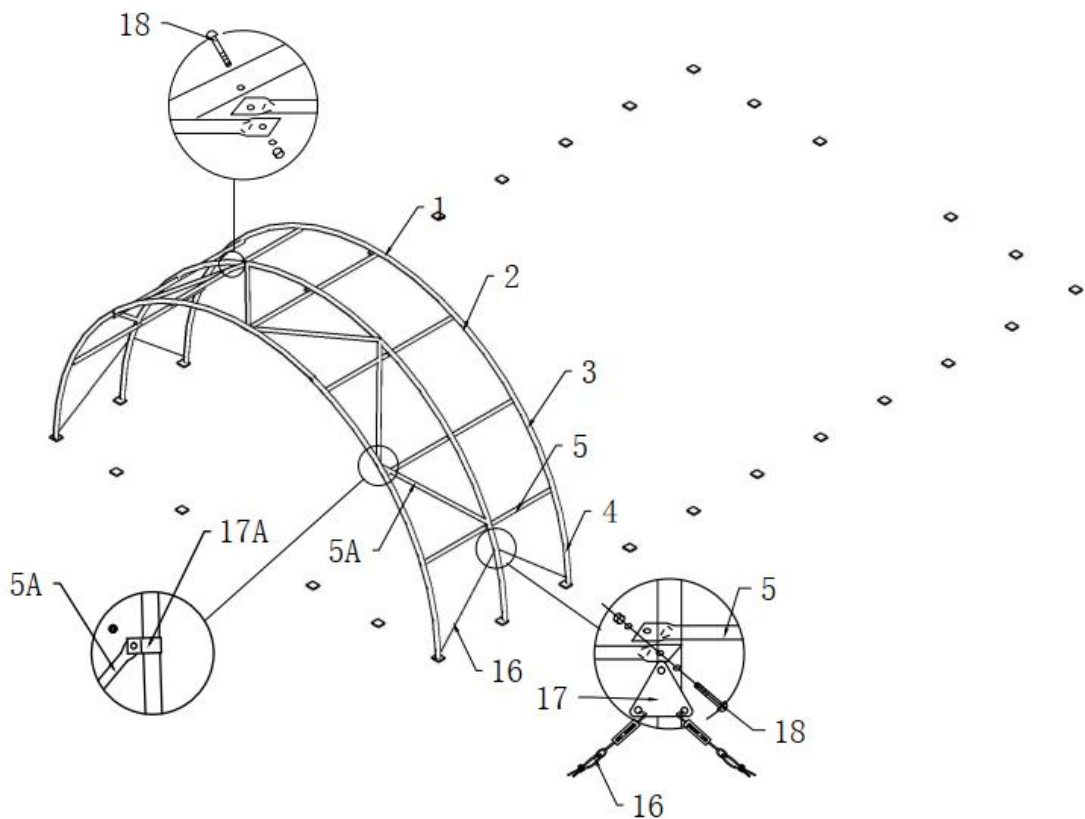


Figure 7

B--- INSTALLING FRONT AND BACK COVER

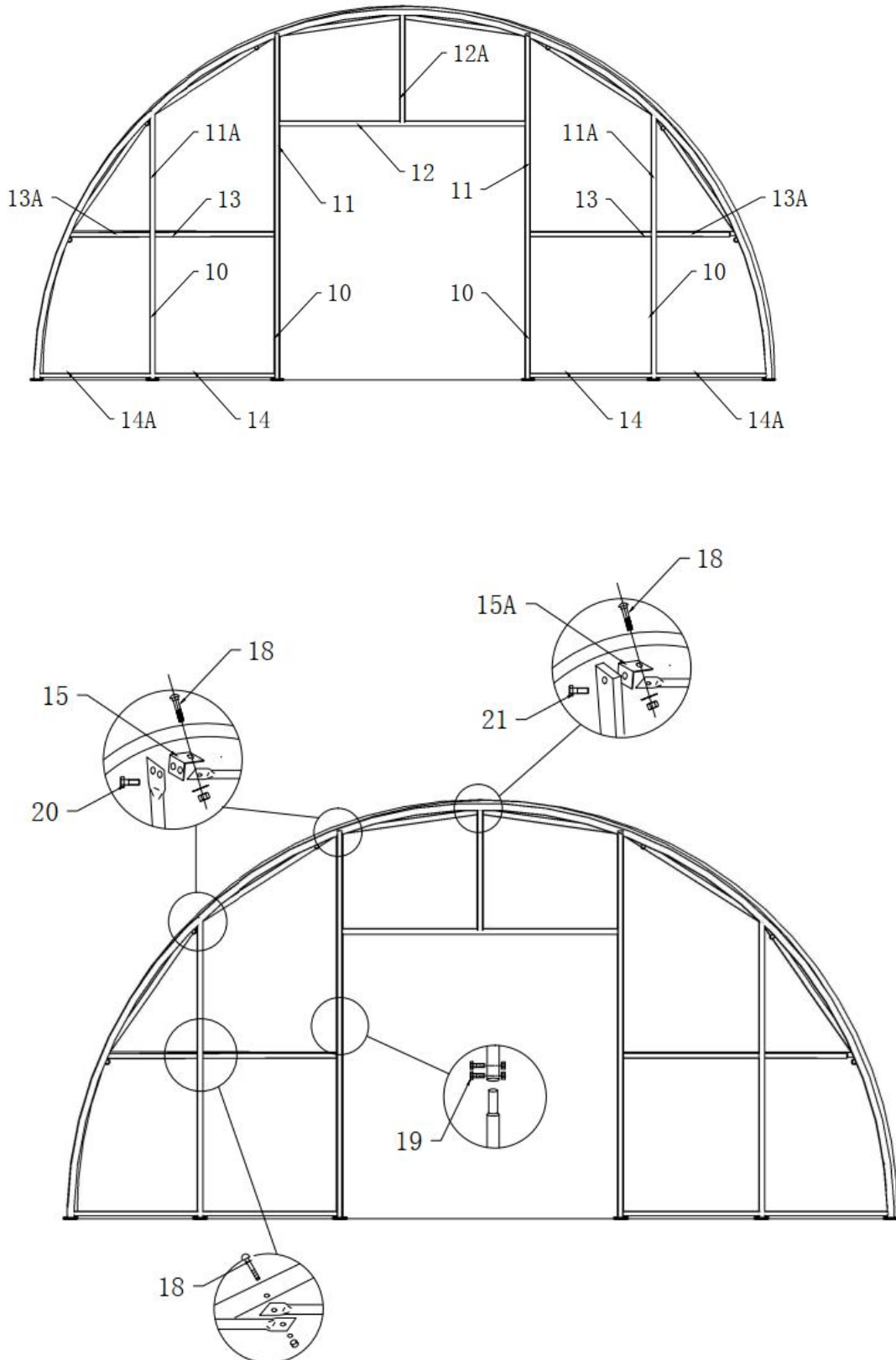


Figure 8

1. Please install the front and back door frame according to the above drawing (Figure 8). Find corresponding bolts and tubes, connect each other.

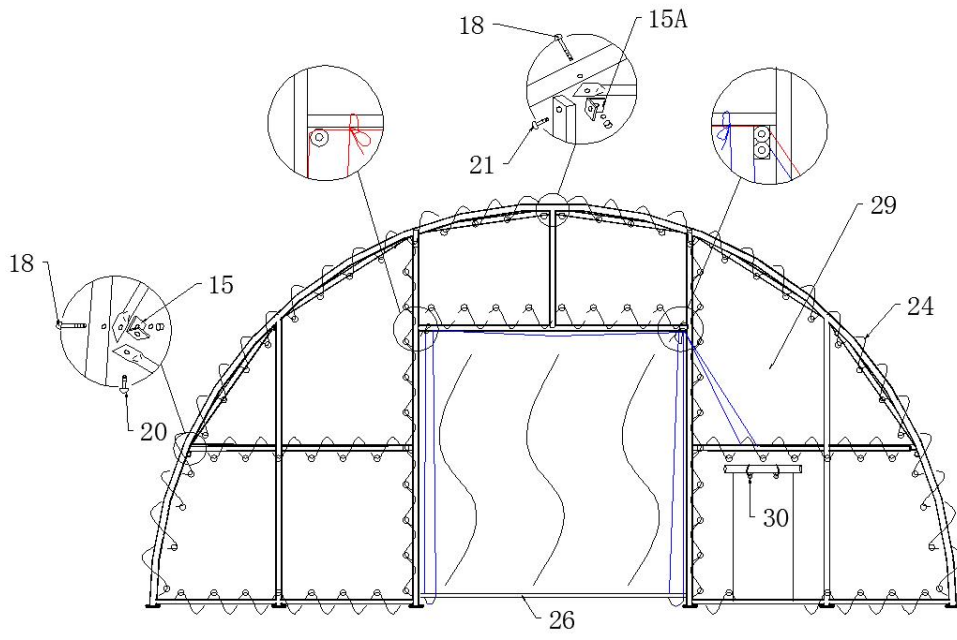
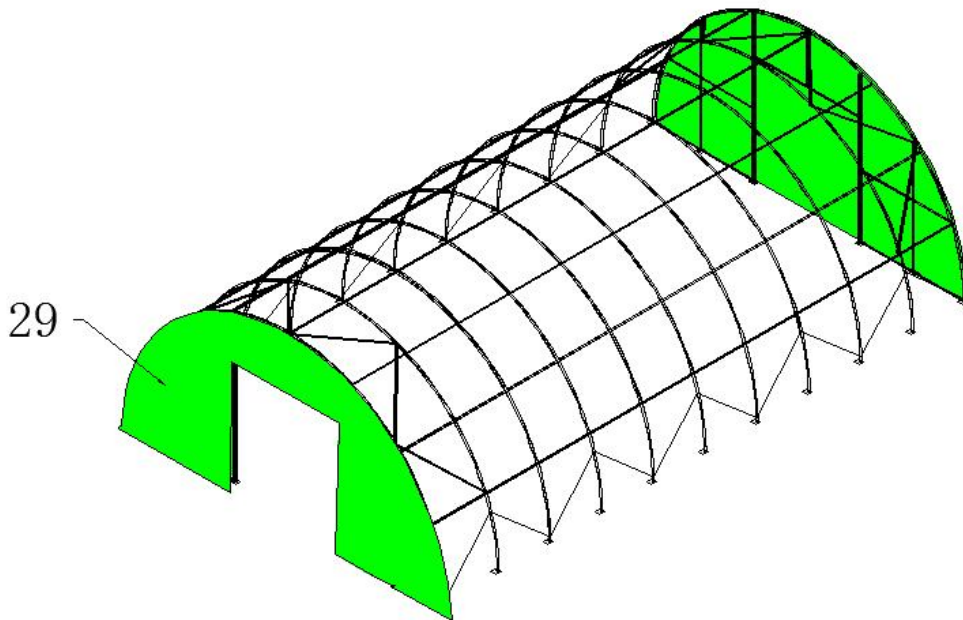


Figure 9

2. Please use rope to tie the end cover to end wall. (Figure 9).



Front and Back Cover

Figure 10

D--- INSTALLING THE ROOF COVER

NOTE: Do not install the cover onto the frame of your building in high wind conditions.

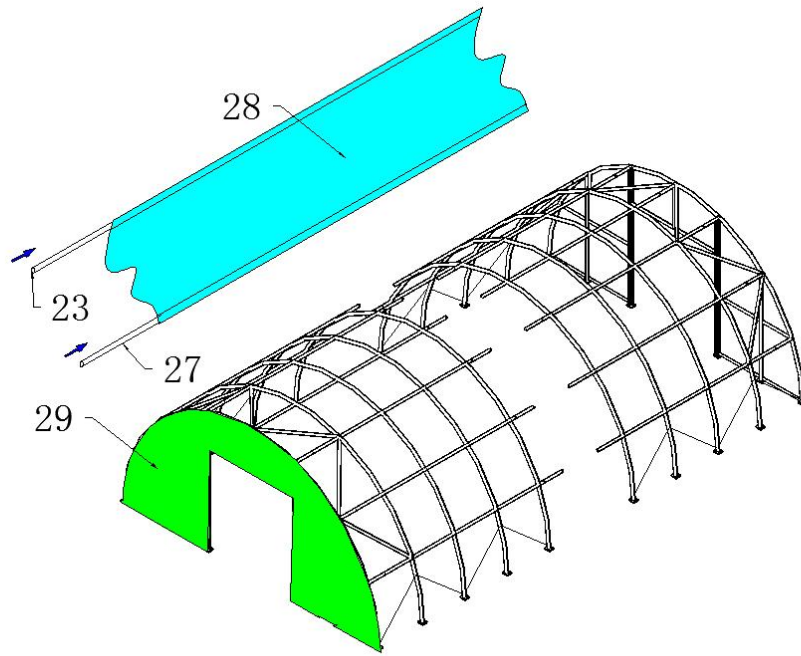


Figure 11 Roof cover

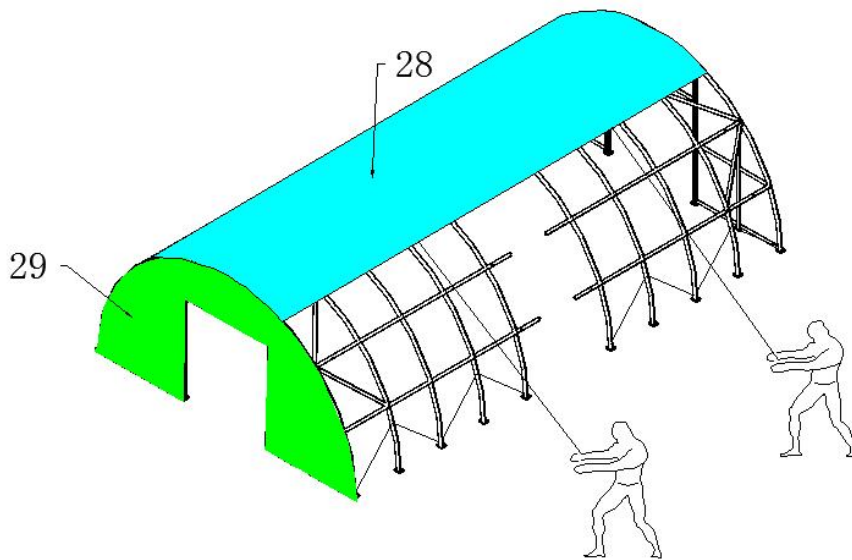


Figure 12

1. Spread the cover(No.28) and lay parallel to one side of the frame.
2. Insert the tensioning tube(No.27) into one side of roof cover only, Then place the plastic plug (No.23) on each end of tubes.
3. Attach the ropes(No.24) and throw over the frame. Then pull the roof cover **EVENLY, CAREFULLY AND SLOWLY.**

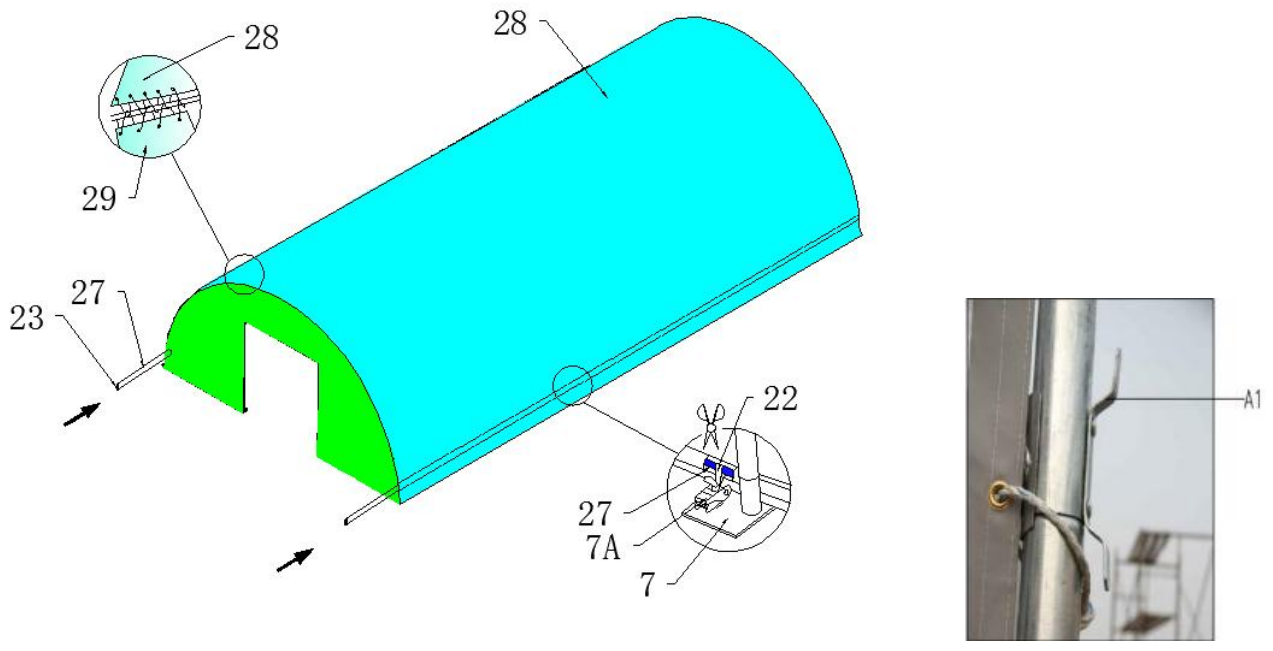


Figure 13

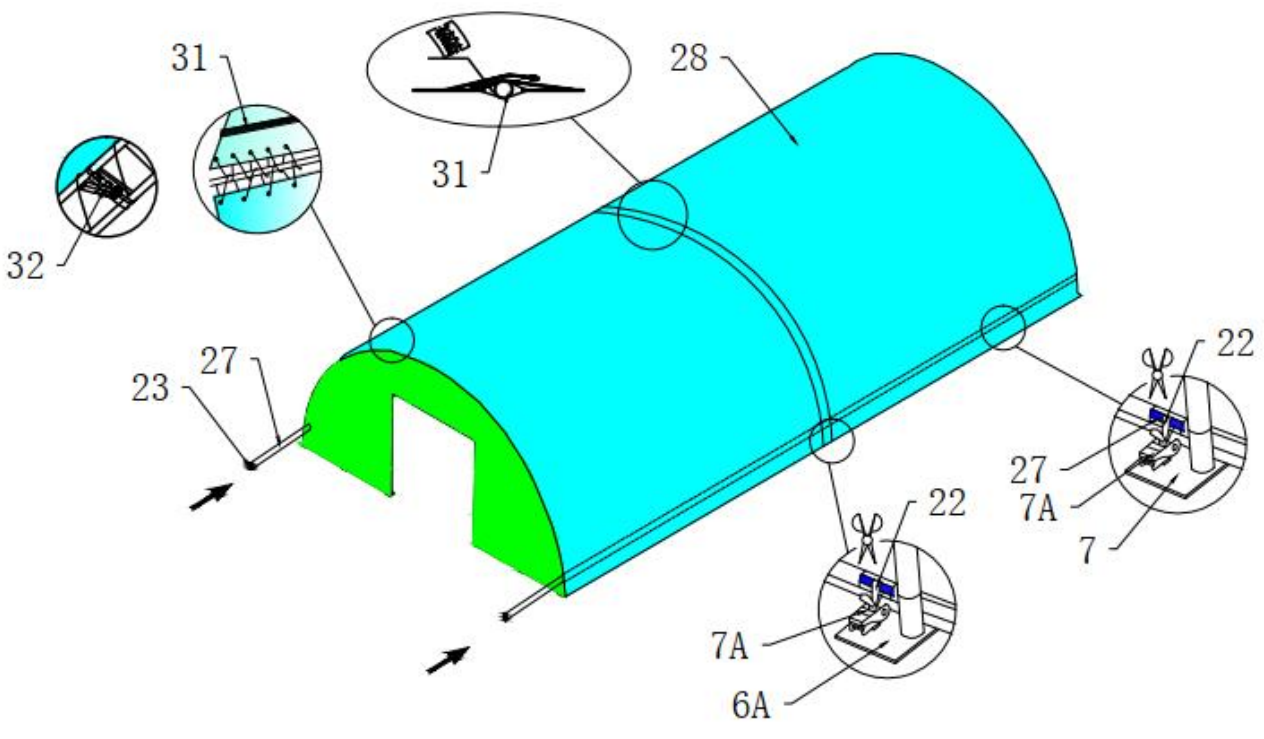


Figure 14

2. Cut pockets just above the ratchet (7A), let the tensioning tube (27) come out, use the belts No.22 to tie the tube onto the ratchets, thus adjust the ratchet could fasten the roof cover.

3. For 4010020, the roof cover is 2 pcs, so there is PVC tube No.32 that need insert into cover pocket to help to tie onto the steel frame. (Figure 14)

- Note: The end flaps must overhang evenly at both ends.

With the end flaps flipped back and out of the way, use the supplied rope to tighten the roof cover to the end arches. The rope should be cut as your requirements when using. The recommended procedure is to use separate pieces of rope and start by first lacing the cover from the bottom edges up to the top center. Secure the ropes at the top center and tent apply tension as you lace down both sides. Fasten the rope at the bottom edge. Put the Band (No.22) onto the tubes where the notches are. Pull the Nylon Band through the reels of winches. Drive the Ratchet Tie Down forth and back, and then the roof cover is tightened.

NOW THE INSTALLATION IS FINISHED, PLEASE ASJUST THE BASE PLATES EVERY MONTH.

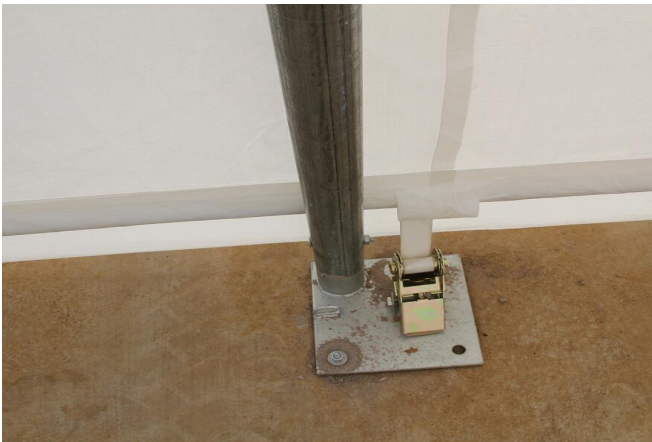
Please check the below installation detailed pictures:



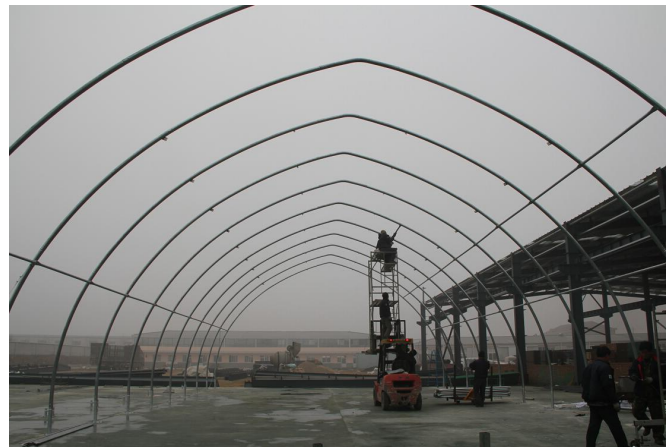
(A)



(B)



(C)



(D)



(E)

(F)

NOTE: DO NOT LEAVE THE ROOF COVER UNATTACHED UNDER ANY CIRCUMSTANCES until the final assembly and tightening has been completed. The process is quite easy. But some tightening adjustments will be necessary to produce a flat, tension ed roof cover. Please adjust the roof cover every month.

Please Note:



Please use the tape wrapped around the gap between the steel skeleton after installing.