

**Product Codes:**

- 05699 - Lunar Island Unit with Standard Mirror
- 05699A - Lunar Island Unit with Storage Mirror

**Standard Equipment:**

- Rounded mirror
- Chrome trims on multiple units

**Optional Equipment:**

- Electric sockets
- Chrome holster
- Pop out holster
- Polycarbonate Straightner Holster
- Footrest

**Main Construction:**

- Timber construction finished in high pressure laminate from the REM laminate range

**Finish:**

- Any laminate from the REM swatch range

**Features:**

- Unique Design, part of the REM Lunar Range of products
- Choice of REM colours
- Can be made into modular runs of units



Laminate Finish Options:

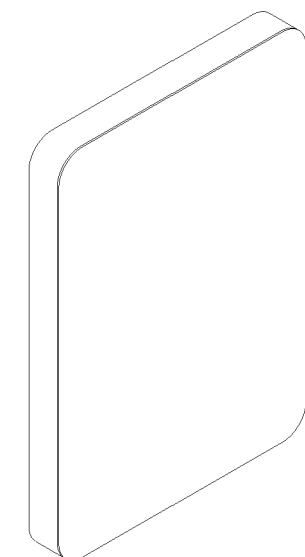


A = Laminate  
 B = Laminate  
 C = Laminate  
 Choice of REM laminates

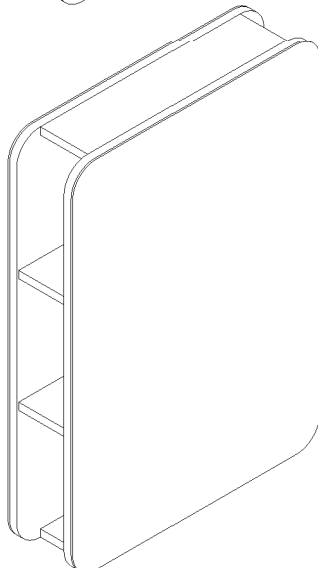
05699 - Lunar Modular Wall Standard Mirror  
 05699A - Lunar Modular Wall Storage Mirror

Optional extras must be clearly detailed at time of order:  
 D1 - Integral Holster RHS (05668)  
 or  
 E1 - Large Holster RHS (05823)  
 F1 - Small Holster RHS (05812)  
 H1 - Polycarbonate Straightener Holster (05811)

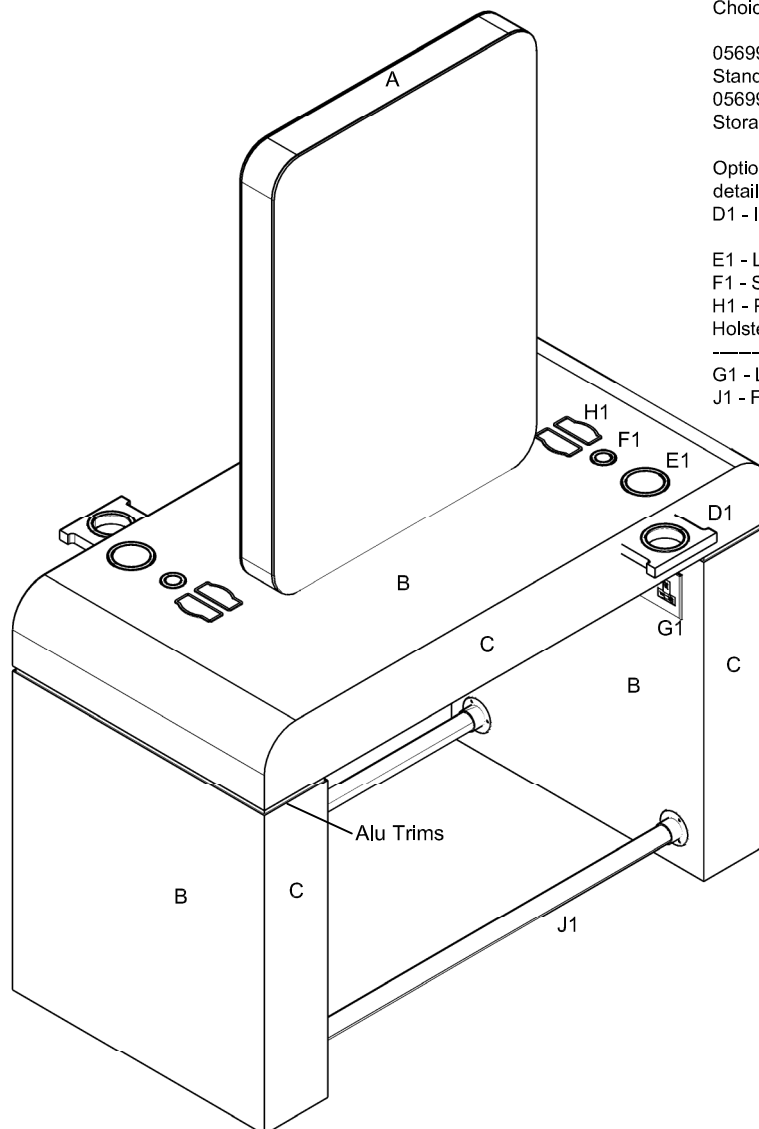
G1 - Leg Socket Chrome (05852)  
 J1 - Footrest (05664)



05699 Standard Mirror



05699A Storage Mirror



NOTE: storage mirrors will be white if styling units are Alu Brosse / Reed / Antique Rose