

REM (UK) Limited, Glenfield Mill, Glenfield Road, Nelson, Lancashire BB9 8AW T: +44 (0)1282 619 977 F: +44 (0)1282 619 617 E: sales@rem.co.uk W: www.rem.co.uk

**Product Codes:**

- 05652 - Cornell Styling Unit
- 05654 - Cornell Island Unit

**Standard Equipment:**

- Footrest
- Locking Castors (island Unit)

**Optional Equipment:**

- Dryer holster
- Tong holster
- Electric sockets

**Main Construction:**

- Timber construction finished in high pressure laminate from the REM laminate range
- Chrome metal side panels

**Finish:**

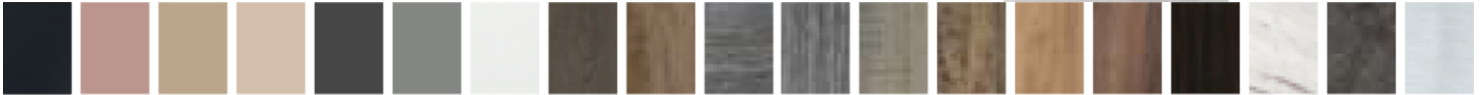
- Any laminate from the REM swatch range

**Features:**

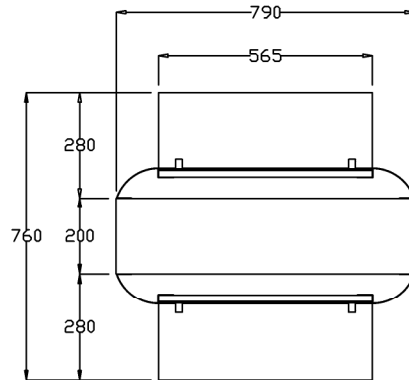
- Robust design for tough College environment
- Available as wall or island unit



**Laminate Finish Options:**



NOTE: island column will be white if styling units are Alu Brosse / Reed / Antique Rose



A = Laminate  
B = Laminate

Choice of REM laminates

Optional extras must be clearly detailed at time of order.

