

REM (UK) Limited, Glenfield Mill, Glenfield Road, Nelson, Lancashire BB9 8AW T: +44 (0)1282 619 977 F: +44 (0)1282 619 617 E: sales@rem.co.uk W: www.rem.co.uk

**Product Codes:**

- 04127 - Aero Styling Chair (black)
- 04128 - Aero Styling Chair (colour)

**Standard Equipment:**

- Chrome plated locking hydraulic pump with 5 star base

**Optional Equipment:**

- Quadra base (04378)
- Chair back cover
- Logo embroidery

**Main Construction:**

- Interior plywood construction with foam toppers.
- Chrome arms.

**Finish:**

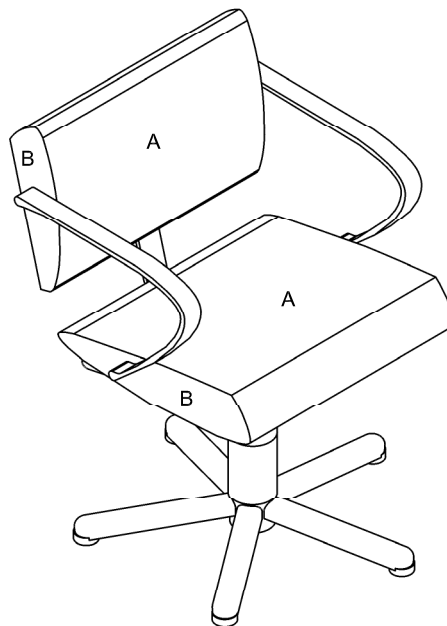
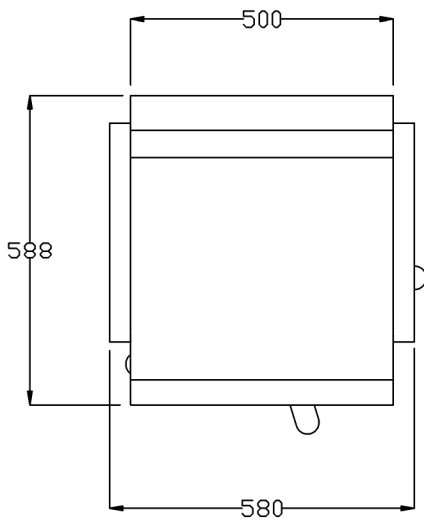
- Any fabric from the REM range. All REM fabrics are fire retardant to Crib 5.

**Features:**

- Choice of any REM colour
- Matching wash point available
- 2 tone upholstery available



**Fabric Finish Options:**



A = Fabric  
B = Fabric

**Chair Options:**

- 5 Star Base - standard
- 04378 Quadra Base - option

03955 Embroidered Logo  
(embroidery to rear of chairs)

Clear Protective Back Cover

Optional extras must be clearly detailed at time of order.

