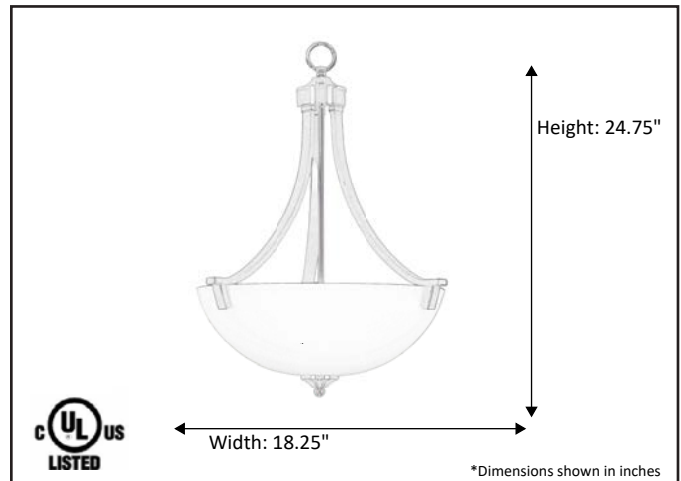


Model #	VIC-HF3(WH)-MB
SKU	19575
Description	3 Light Entry
Finish	Matte Black
Glass	White
Dimensions- HxW (Dimensions shown in inches)	24.75" x 18.25"
Lamp Info	3X60W (M)
Chain/ Wire Length	3' Chain/10' Wire
Dual Mount	No

Finish/Glass Shown: Matte Black/White



*Lamps not included



ELECTRICAL REQUIREMENTS: Fixture requires a grounded electrical supply line of 120 volts AC.

INSTALLATION REQUIREMENTS: Fixture attaches to electrical junction box securely anchored in wall or ceiling.
All mounting hardware included.

HOMEnhancements/ 1505-A Kelly Blvd., Carrollton, TX. 75006

Product specifications subject to change without notice.

REFERENCE	QTY.	REMARKS	Project
			Location/Type
			Architect
			Engineer
			Contractor
			Submitted By: _____ Date: _____