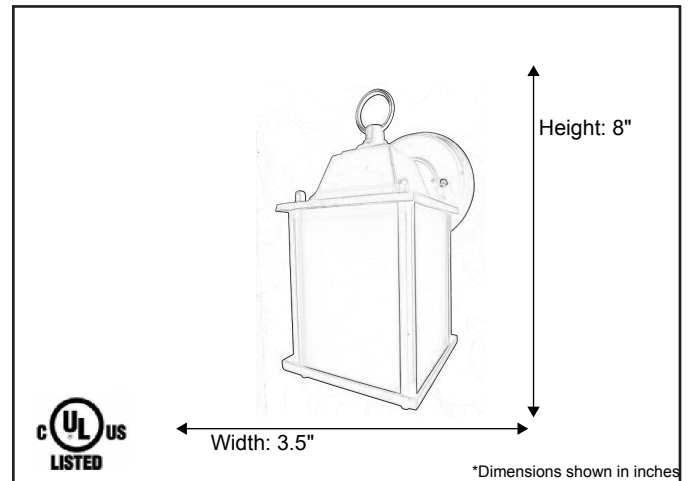


|                                                                |                     |
|----------------------------------------------------------------|---------------------|
| Model #                                                        | SX1-CL5940-BK       |
| SKU                                                            | 91208               |
| Description                                                    | 1-Light Coach Light |
| Finish                                                         | Black               |
| Glass                                                          | White               |
| Dimensions- HxW<br><small>(Dimensions shown in inches)</small> | 8" x 3.5"           |
| Listed                                                         | Wet Location Listed |

Finish/Glass Shown: Black/White



\*Lamps not included



**ELECTRICAL REQUIREMENTS:** Fixture requires a grounded electrical supply line of 120 volts AC.

**INSTALLATION REQUIREMENTS:** Fixture attaches to electrical junction box securely anchored in wall or ceiling.

All mounting hardware included.

*Product specifications subject to change without notice.*

HOME enhancements/ 1505-A Kelly Blvd., Carrollton, TX. 75006

| REFERENCE | QTY. | REMARKS | Project                                  |
|-----------|------|---------|------------------------------------------|
|           |      |         | Location/Type                            |
|           |      |         | Architect                                |
|           |      |         | Engineer                                 |
|           |      |         | Contractor                               |
|           |      |         | Submitted By:                      Date: |