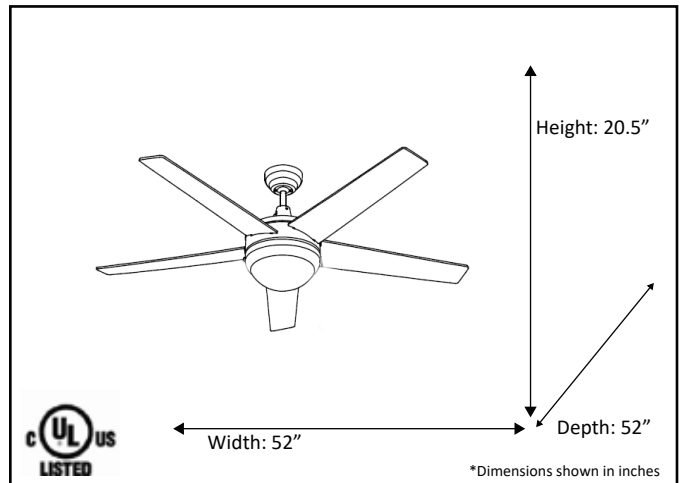


<b>Model #</b>	<b>SUN505 NK5SV(2xLED3K)</b>
Finish	Brushed Nickel
Blade Finish	Silver
Glass Finish	White
Size	52"
Motor Specs	153mm X 18mm Housing
Wire Length (Shown in inches)	84"
Down Rod Included (Shown in inches)	4"
Blade Pitch	12 Degree
Speeds	3
Forward/Reverse	YES
CFM High	5700
Light Kit Included	YES
Lamp Info	2 x 19W (LED 3000K) (Lamps INCLUDED)
Location Use	INDOOR ONLY
Energy Star Qualified	YES
Warranty	Limited Lifetime

Finish/Glass Shown: Brushed Nickel-Silver/White



\*Lamps included



**ELECTRICAL REQUIREMENTS:** Fixture requires a grounded electrical supply line of 120 volts AC.

**INSTALLATION REQUIREMENTS:** Fixture attaches to electrical junction box securely anchored in wall or ceiling.  
**All mounting hardware included.**

HOMEnhancements.com / 1505-A Kelly Blvd., Carrollton, TX. 75006

*Product specifications subject to change without notice.*

REFERENCE	QTY.	REMARKS	Project
		Energy Star Equivalent	Location/Type
			Architect
			Engineer
			Contractor
			Submitted By: _____ Date: _____