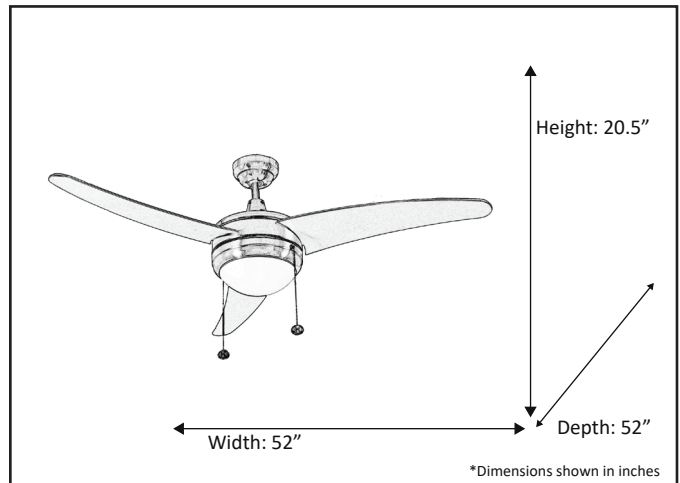




<b>Model #</b>	<b>SUN503 NK3SV(2xLED3K)</b>
SKU	19040
Finish	Brushed Nickel
Blade Finish	Silver
Glass Finish	White
Size	52"
Motor Specs	153mm X 15mm Housing
Wire Length (Shown in inches)	84"
Down Rod Included (Shown in inches)	4"
Blade Pitch	12 Degree
Speeds	3
Forward/Reverse	YES
CFM High	5500
Light Kit Included	YES
Lamp Info	2 x 9.5W A19 LED (Lamps INCLUDED)
Color	3000K
Location Use	INDOOR ONLY
Warranty	Limited Lifetime
Wall Control	WC-6-WH



**ELECTRICAL REQUIREMENTS:** Fixture requires a grounded electrical supply line of 120 volts AC.

**INSTALLATION REQUIREMENTS:** Fixture attaches to electrical junction box securely anchored in wall or ceiling.  
**All mounting hardware included.**

HOMEnhancements.com / 1505-A Kelly Blvd., Carrollton, TX. 75006

*Product specifications subject to change without notice.*

REFERENCE	QTY.	REMARKS	Project
		Energy Star Equivalent	Location/Type
			Architect
			Engineer
			Contractor
			Submitted By: _____ Date: _____