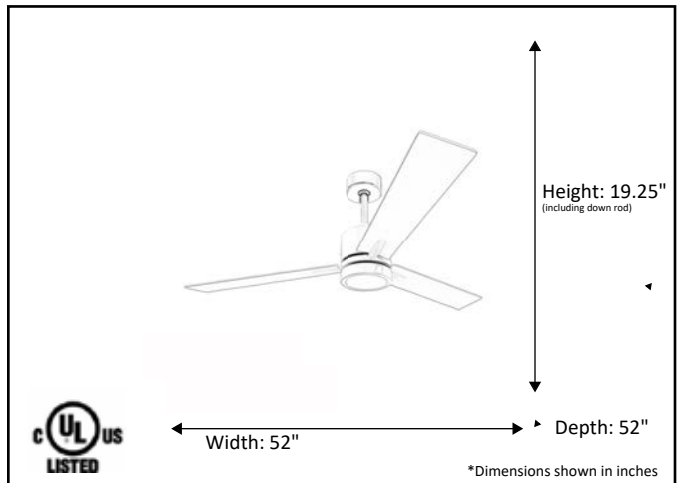


Model #	SUN352 WH3WH (WC-1-WH)
Metal Finish	White
Blade Finish	White
Glass Finish	Frosted
Blade Span	52"
Motor Specs	153mm X 12mm
Wire Length (Shown in inches)	80"
Down Rod Included (Shown in inches)	4"
Blade Pitch	12 Degrees
Speed	3
Forward/Reverse	Yes
Airflow Average	4,758
Power Use (Watts)	59.4
Airflow Efficiency (CFM/Watt)	90
Light Kit Included	Yes
Lamp Info	Integrated LED
Location Use	Indoor Only
Wall Control	WC-1-WH



WC-1-WH Wall Control Included

- Fan Control Switch
- Simple Slide Fan Switch
- 4 Speed Fan Control
- Easy 2 Wire Connection (Requires 2 Hot Leads)
- Available in White (WH) Only

ELECTRICAL REQUIREMENTS: Fixture requires a grounded electrical supply line of 120 volts AC.

INSTALLATION REQUIREMENTS: Fixture attaches to electrical junction box securely anchored in wall or ceiling.
All mounting hardware included.

HOMEnhancements / 1505-A Kelly Blvd., Carrollton, TX. 75006

Product specifications subject to change without notice.

REFERENCE	QTY.	REMARKS	Project
			Location/Type
			Architect
			Engineer
			Contractor
			Submitted By: _____ Date: _____