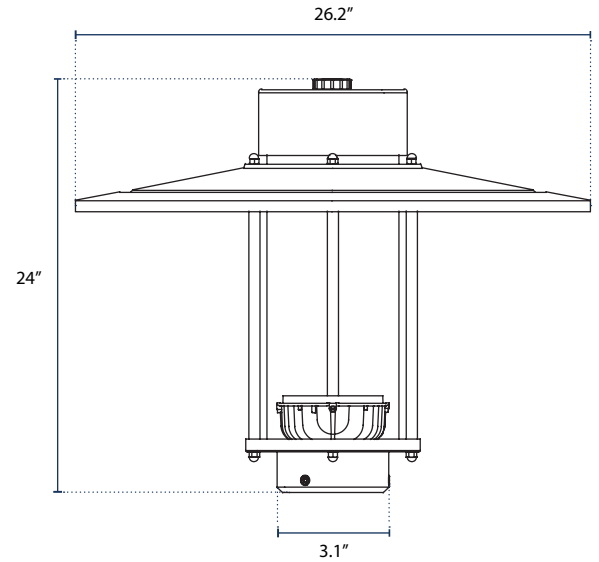


POST TOP



SPECIFICATIONS

Casting

Die Cast Aluminum

Driver

Meanwell

LED's

Available Upon Request

Finish

Polyester Powder-Coat
Electrostatically
Applied & Thermocured

Mounting

3" Inside Diameter

Post Top

LED
Height: 24"
Width: 26.2"

Voltage

120-277V

CRI

>70

Distribution

120°

Efficiency

90-110 lm/W

ORDERING

POST TOP	LAMP TYPE	CCT	WATTAGE	VOLTAGE	OPTICS	MOUNTING	FINISH
	INTEGRATED LED BOARD		35W	100-277V	120°	POLE/TENON	
		3000K 4000K 5000K					BK Semi Gloss Black DB Textured Dark Bronze