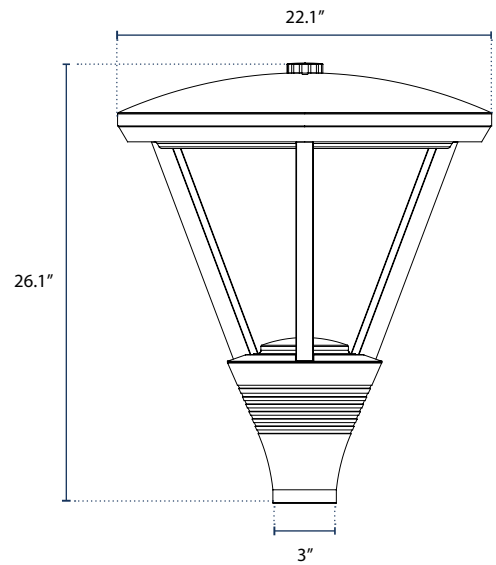


POST TOP



SPECIFICATIONS

Casting

Die Cast Aluminum

Driver

Meanwell

LED's

Available Upon Request

Finish

Polyester Powder-Coat
Electrostatically
Applied & Thermocured

Mounting

3" Inside Diameter

Post Top

LED
Height: 26.1"
Width: 22.1"

Voltage

120-240/277V

CRI

>70

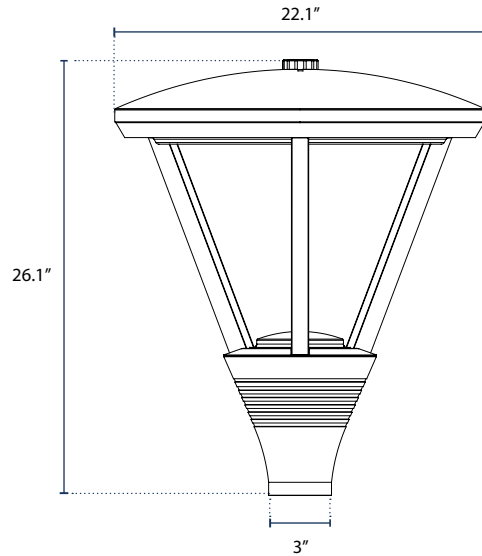
Distribution

120°

ORDERING

POST TOP	LAMP TYPE	CCT	WATTAGE	VOLTAGE	OPTICS	MOUNTING	FINISH
	INTEGRATED LED BOARD			100-277V	120°	POLE/TENON	
		3000K	45W				BK Semi Gloss Black
		4000K	60W				DB Textured Dark Bronze
		5000K					

POST TOP



SPECIFICATIONS

Casting

Die Cast Aluminum

Driver

Meanwell

LED's

Available Upon Request

Finish

Polyester Powder-Coat
Electrostatically
Applied & Thermocured

Mounting

3" Inside Diameter

Post Top

LED
Height: 26.1"
Width: 22.1"

Voltage

120-240/277V

CRI

>70

Distribution

120°

ORDERING

POST TOP	LAMP TYPE	CCT	WATTAGE	VOLTAGE	OPTICS	MOUNTING	FINISH
	INTEGRATED LED BOARD			100-277V	120°	POLE/TENON	
		3000K	70W				BK Semi Gloss Black
		4000K	100W				DB Textured Dark Bronze
		5000K	120W				