

Catalog Number

Project

Type

FEATURES & SPECIFICATIONS

APPLICATION — The Katen Series of high output LED luminaires are designed for new outdoor lighting and to be a replacement for HID area lights. A compact, one-piece die cast housing, saving costs versus models that are extruded or cast and require additional parts. The heat sink is included in the actual casting, further minimizing the need for additional parts. Standard Arm Mount features an integral arm, increasing strength and simplifying installation. Each fixture can accommodate an optional twist-lock photocontrol which allows for further energy savings and an optional PIR sensor allows for security. They are optimal for lighting applications where long life, low maintenance, and consistent color rendering is required. The high lumen output allows the fixture to be used for parking, restaurant, quick service, shopping centers, or general area lighting applications. The new KTN LED Area Light delivers maximum value by providing significant energy savings, long life and outstanding photometric performance at an affordable price. The KTN delivers 10,000 to 39,000 lumens allowing it to replace up to (2) 1000W HID luminaires.

FINISH — Standard color available: Bronze. Heavy-duty housing is constructed of cast aluminum with corrosion resistant powder coat finish.

MOUNTING — Available with several or multiple unique mountings, specifically designed to provide one-for-one, and in some cases two-for-one, solutions for replacing existing metal halide or high pressure sodium lighting. Features an integral universal mounting mechanism that allows the luminaire to be mounted on most existing drill hole patterns. This "no-drill" solution provides significant labor savings. An easy-access door on the bottom of mounting arm allows for wiring without opening the electrical compartment. A mast arm adaptor, adjustable integral slipfitter and other mounting configurations are available.

LED Area Light



| SERIES | LENGTH / WIDTH / HEIGHT |
|-------------------|-------------------------|
| 13L ~ 19L: | 10.4" x 2.3" x 17.6" |
| 31L ~ 39L: | 13.6" x 2.5" x 22" |

ELECTRICAL SYSTEM — Available in up to a 39,000 nominal lumens in most optical distributions with either 3000K Warm White, 4000K Neutral White or 5000K Cool White color temperatures. Universal input voltage 120-277Vac, 50/60Hz; 347/480Vac. Operating temperature range -40°C to 40°C.

WARRANTY — The complete luminaire is covered by a 5-year limited warranty.

ORDERING INFORMATION

Choose the bold options for the appropriate luminaire configuration for your application and enter on the line above each fixture attribute. Accessories may be factory installed, depending on the particular accessory chosen, but still be ordered as a separate line item.

EXAMPLE:

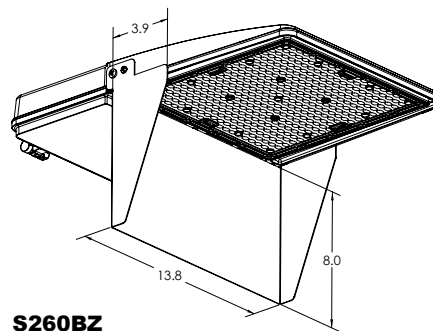
C 13L T3 1 BZ

| SERIES | CCT | WATTAGE/NOMINAL LUMENS | OPTIC | VOLTAGE | FINISH | OPTIONS |
|--------|--|--|--|---|--------------------|--|
| | W = 3000K N = 4000K C = 5000K | 13L = 100 watt, 13,000 lumens 19L = 150 watt, 19,500 lumens 31L = 240 watt, 31,200 lumens 39L = 300 watt, 39,000 lumens | T3 = Type 3 T4 = Type 4 T5 = Type 5 | 1 = 120-277V ¹ 2 = 347 - 480V | BZ = Bronze | PCR7 = 7-Pin Twist-Lock Photocell receptacle ANSIC136.41 with Shorting Cap WOC = High/Low/Off PIR Photo/Motion Sensor WOCPC = Sensor with Photocell |

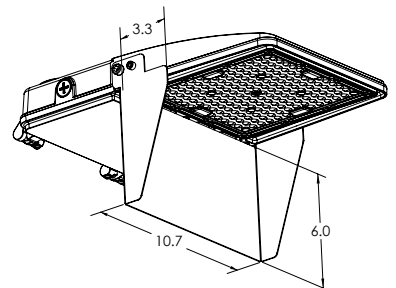
ACCESSORIES (Order as separate line items)

- TLWFSIR-100** Remote Handheld Sensor Configuration Tool
- TLWFSFP-L2** 360° lens, maximum coverage 48' diameter from 8' height
- TLWFSFP-L3** 360° lens, maximum coverage 40' diameter from 20' height
- TLWFSFP-L7** 360° lens, maximum coverage 100' diameter from 40' height
- PC2** 347-480V Twist-Lock Photocell
- PC7** Multip-Tap (105-285V) Twist Lock Photocell
- KTN 4RA** 4" Round Pole Adapter
- KTN 5RA** 5" Round Pole Adapter
- KTN 2AF** Slip Fitter
- KTN ARM** Arm
- KTN B25** Adjustable Arm
- KTN B15** Trunnion Mount
- S265BZ** House Side Shield for 13L - 19L
- S260BZ** House Side Shield for 31L - 39L
- VBWM** Wall Mount Adaptor

DIMENSIONS



S260BZ
House Side Shield for
13L - 19L



S265BZ
House Side Shield for
31L - 39L

NOTES

1 = Built-in 10kA Surge Protection. Different ratings are available.