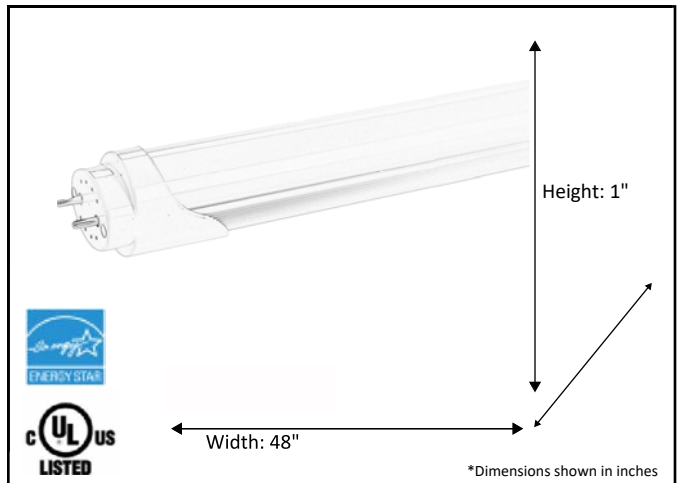


Model #	LED-T8-4K
SKU	18863
Description	48" LED T8 Lamp
Socket Base	BI-Pin
Bulb Type	LED-T8
Dimensions- HxW <small>(Dimensions shown in inches)</small>	1" x 48"
Lumens	2000 Lm
Wattage	18W
CCT	4,000K
Incandescent Equivalent	N/A
Dimmable	No

Finish: White



ELECTRICAL REQUIREMENTS: Fixture requires a grounded electrical supply line of 120 volts AC.

All mounting hardware included.

HOMEnhancements / 1505-A Kelly Blvd., Carrollton, TX. 75006

Product specifications subject to change without notice.

REFERENCE	QTY.	REMARKS	Project
			Location/Type
			Architect
			Engineer
			Contractor
			Submitted By: Date: