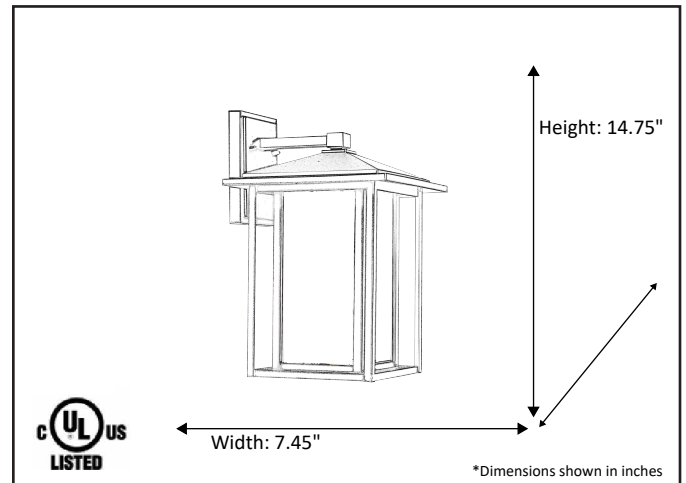


<b>Model #</b>	<b>CL-2879-TBK</b>
SKU	19085
Description	Small Coach Light
Finish	Textured Black
Glass	Clear
Dimensions- HxW (Dimensions shown in inches)	14.75" x 7.45"
Lamp Info	1X60W (M)

Finish/Glass Shown: Textured Black/Clear



\*Lamps not included



**ELECTRICAL REQUIREMENTS:** Fixture requires a grounded electrical supply line of 120 volts AC.

**INSTALLATION REQUIREMENTS:** Fixture attaches to electrical junction box securely anchored in wall or ceiling.  
**All mounting hardware included.**

HOMEnhancements/ 1505-A Kelly Blvd., Carrollton, TX. 75006

*Product specifications subject to change without notice.*

REFERENCE	QTY.	REMARKS	Project
			Location/Type
			Architect
			Engineer
			Contractor
			Submitted By: <span style="float: right;">Date:</span>