

30" Pro-Style Dual Fuel Range

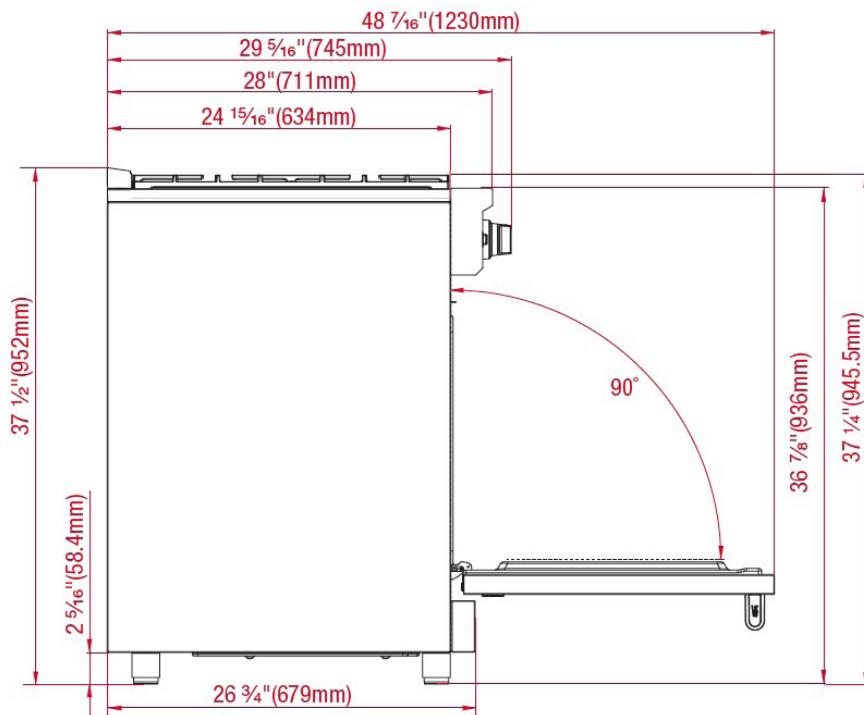
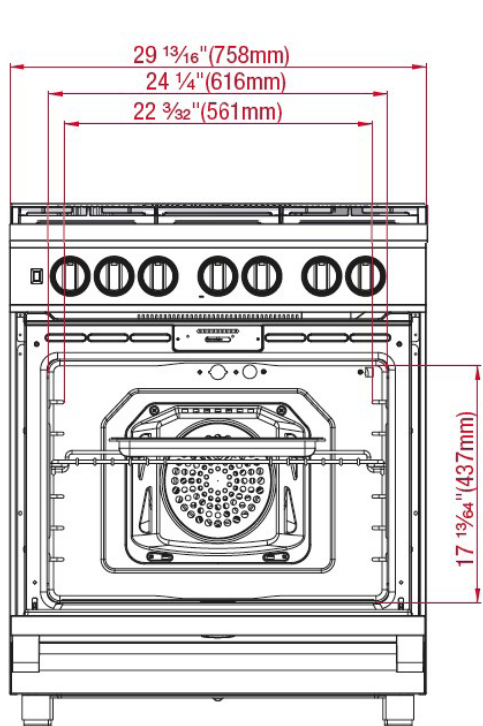
PRDF34550SS



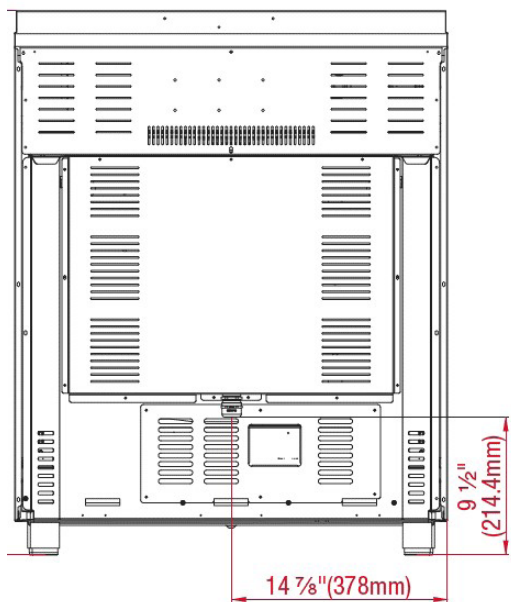
KEY FEATURES

- 5 Gas Burners
 - Dual 20,000 BTU Power Burners
 - Central Oval Burner 10,000 BTU
- Surf Convection
- 5.7 cu. ft. Oven Space
- Full Lower Extension Telescopic Rack
- 3 Wire Heavy Duty Racks with Wrap Around Tines
- XL Cooktop Surface
- Auto Reignition

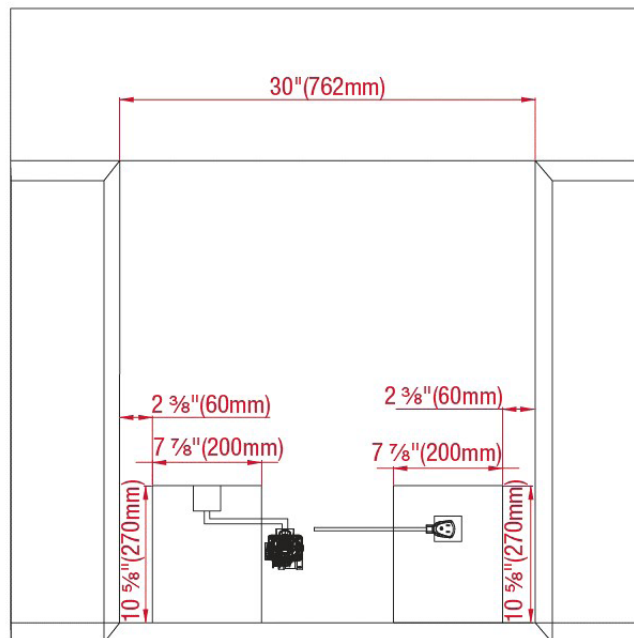
GENERAL	
Type	Freestanding
Size	30"
Finish	Stainless Steel
Side Walls	Black
Control Type	Knob Control with Multifunctions
Illuminated Knobs	Yes
FUNCTIONS	
Cooking Functions	5
Surf Convection	Yes
Multi-dimensional Cooking	Yes
Bottom Heater	Yes
Broiler	Yes
Broil	Electric
Convection Broiler	Yes
Convection Roast	Yes
True European Convection	Yes
SPECIAL FEATURES	
Cooling Fan	Yes
Simmering	Yes
Cavity Enameling Color	Black
Interior Oven Lights	1x Round Halogen(rear), 1 Square Halogen (right)
Sabbath Mode	Yes
Adjustable Feet	Yes
Anti-Tip (Tilting) Bracket	Yes
Auto Re-Ignition	Yes
Fuel Type	NG + Electric
OVEN DOOR	
Oven Glass Window	"O" Shaped Metal + Glass
Door Cooling System	Cool Door 4 Pane Heat-Resistant Glass (Fixed)
ACCESSORIES/ OVEN CAVITY	
Rack Positions	Stay In Self-clean—6 Levels
Telescopic Pull-out Shelf System	1 Level (Full Lower Extension)
Net Capacity cu. ft.	5.7 cu. ft.
Self-cleaning	Yes
Broiler Pan	Included
Chromed Racks	3
Side Trim Kit	Optional
LPG Conversion Kit	Yes
Backguard	Optional
Griddle	Optional
COOKTOP	
Burner Configuration	5- Gas Burners
Front Left	20,000 BTU
Rear Left	4,000 BTU
Front Right	20,000 BTU
Rear Right	8,000 BTU
Central	10,000 BTU
Pan Support Type	Cast Iron Continuous Pan Supports
POWER/RATINGS	
KW/Amps rating	220-240 V 60 Hz 40 A
DIMENSIONS	
Required cutout dim (H x W x D)	36" x 30" x 25 1/2"
Product Dim (H x W x D)	36" x 29 13/16" x 29 1/2" (91.4 x 75.7 x 75 cm)
Product Weight	275.57 lbs. (125 kg)
Packed HxWxD	45 1/4" x 32 3/4" x 30 9/16" (114.94 x 83.19 x 77.63 cm)
Packed Weight	330.69 lbs. (150 kg)



Electrical



Cabinet



NOTE TO THE INSTALLER: All height, width, and depth dimensions are shown in inches (as well as metric). Beko U.S., Inc. reserves the absolute and unrestricted right to change product materials and specifications, at any time, without notice. Please visit our website, www.BekoAppliances.com, or call 888.352.2356 to verify the latest specifications with final dimensional data and other details prior to installation and making a cutout. Applicable product limited warranty information may be found in accompanying product materials, or you may contact your account manager for further details. Proper installation is the responsibility of the installer. Product failure due to improper installation is not covered under the Limited Warranty.