

Sola

Bar stool with wooden legs

Design — Antti Kotilainen



The wooden legs of the Sola bar stool create a warm atmosphere and the stool is available in two different seat and backrest heights. The finished, easily approachable shape of the stool and its several frame options allow it to be used naturally in many spaces.



MATERIAL DESCRIPTION:

Seat material: oak, ash or stained ash

Upholstery alternatives: without upholstery, seat upholstered, seat and backrest upholstered, fully upholstered

Base: oak, ash, stained ash

Chromed footrest

Felt glides

PRODUCT CODE NUMBER:

377PEKK (PEKKC/PEKKBC/PEKKD) = high wooden base, without upholstery, non-stackable, standard backrest

377PEKM (PEKMC/PEKMD) = high wooden base, without upholstery, non-stackable, low backrest

BC = upholstered seat and backrest

C = upholstered seat

D = fully upholstered

377PEMK (PEMKC/PEMKBC/PEMKD) = medium high wooden base, without upholstery, non-stackable, standard backrest

377PEMM (PEMMC/PEMMD) = medium high wooden base, without upholstery, non-stackable, low backrest

BC = upholstered seat and backrest

C = upholstered seat

D = fully upholstered

FABRIC CONSUMPTION:

Seat: 0.5 m / 2 pcs

Seat and backrest: 0.85 m / 2 pcs

Fully upholstered: 0.9 m

CARBON FOOTPRINT:

Sola 377PEKK: 7.5 kg CO₂e

Sola 377PEKKBC: 9.4 kg CO₂e

Sola 377PEKKC: 10.2 kg CO₂e

Sola 377PEKKD: 9.9 kg CO₂e

Sola 377PEKM: 6.9 kg CO₂e

Sola 377PEKMC: 7.8 kg CO₂e

Sola 377PEKMD: 10.3 kg CO₂e

Sola 377PEMK: 7.5 kg CO₂e

Sola 377PEMKBC: 9.3 kg CO₂e

Sola 377PEMKC: 10.1 kg CO₂e

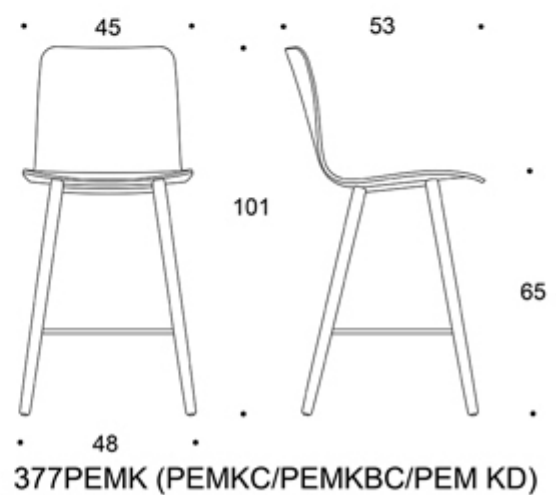
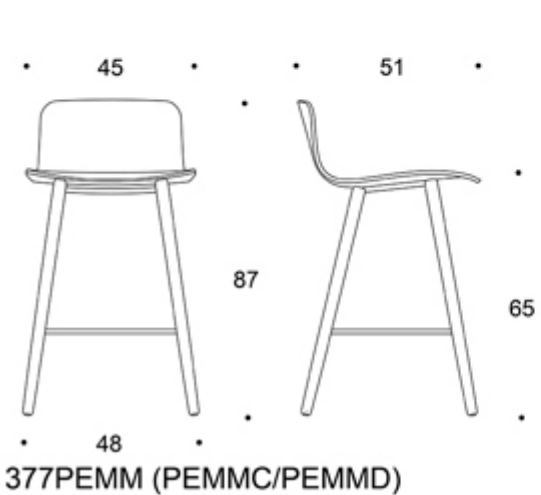
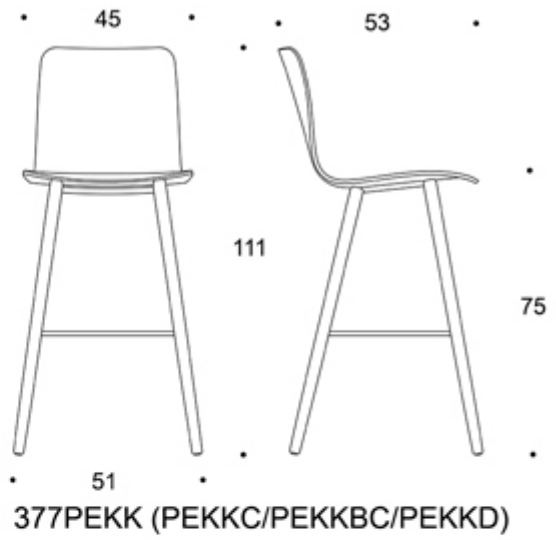
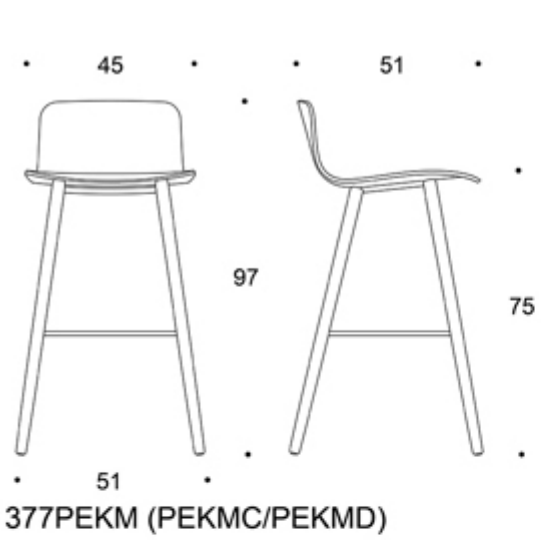
Sola 377PEMKD: 9.9 kg CO₂e

Sola 377PEMM: 6.7 kg CO₂e

Sola 377PEMMC: 7.3 kg CO₂e

Sola 377PEMMD: 9.0 kg CO₂e

Dimensional drawing:



Sola

Bar stool with sled base

Design — Antti Kotilainen



The high Sola bar stool is compatible with various standing height tables. The non-stackable base of the bar stool gives a lighter visual impression compared to the stackable version. Available in two different seat and backrest heights and with several upholstery options.



MATERIAL DESCRIPTION:

Seat material: oak, ash or stained ash

Upholstery alternatives: without upholstery, seat upholstered, seat and backrest upholstered, fully upholstered

Base: white, black, chrome or Inspiring Colours
Felt glides

PRODUCT CODE NUMBER:

377DEPM (DEPMC/DEPMBC/DEPMD) = medium high sled base, without upholstery, non-stackable, standard backrest

377DEPMM (DEPMMC/DEPMMD) = medium high sled base, without upholstery, non-stackable, low backrest

377DEPK (DEPKC/DEPKBC/DEPKD) = high sled base, without upholstery, non-stackable, standard backrest

377DEPKM (DEPKMC/DEPKMD) = high sled base, without upholstery, non-stackable, low backrest

BC = upholstered seat and backrest

C = upholstered seat

D = fully upholstered

FABRIC CONSUMPTION:

Seat: 0.5 m / 2 pcs

Seat and backrest: 0.85 m / 2 pcs

Fully upholstered: 0.9 m

CARBON FOOTPRINT:

Sola 377DEPK: 8.1 kg CO₂e

Sola 377DEPKBC: 9.3 kg CO₂e

Sola 377DEPKC: 9.0 kg CO₂e

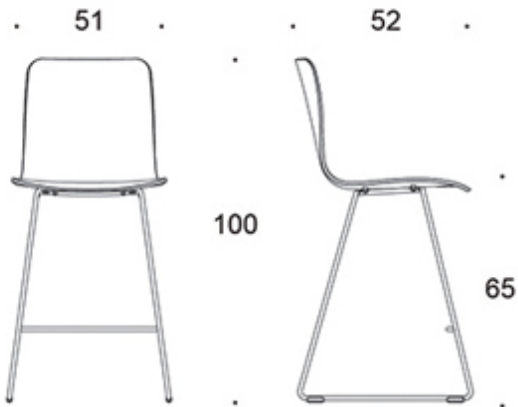
Sola 377DEPKD: 11.4 kg CO₂e

Sola 377DEPKM: 7.9 kg CO₂e

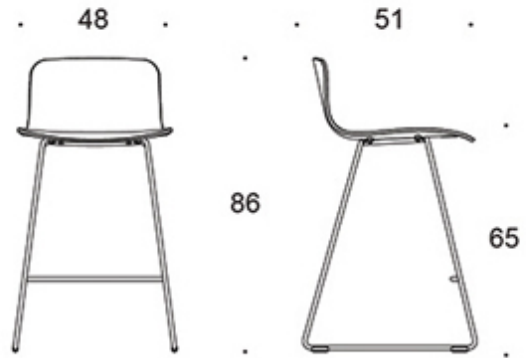
Sola 377DEPKMC: 8.5 kg CO₂e

Sola 377DEPKMD: 11.0 kg CO₂e

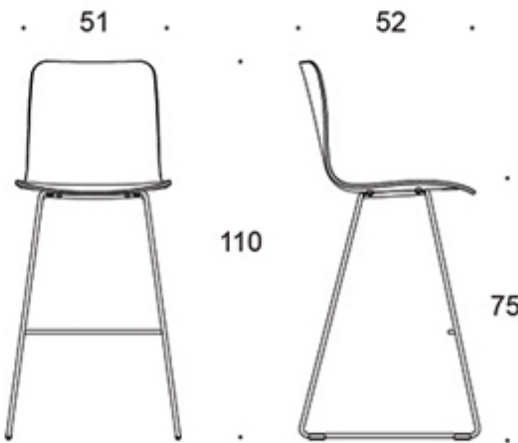
Dimensional drawing:



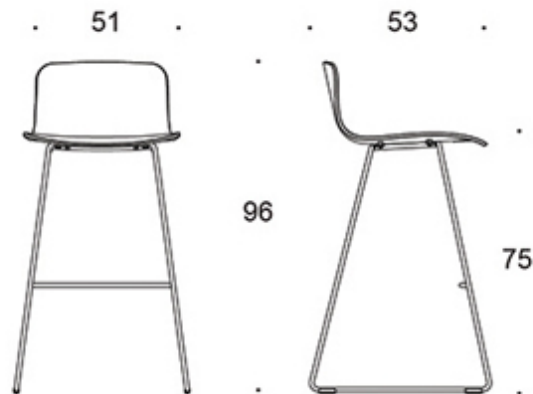
377DEPM (DEPMC/DEPMBC/DEPMD)



377DEPMM (DEPMMC/DEPMMD)



377DEPK (DEPKC/DEPKBC/DEPKD)



377DEPKM (DEPKMC/DEPKMD)

Sola

Stackable bar stool with sled base

Design — Antti Kotilainen



The stackable Sola bar stool is available in two different seat and backrest heights. The high bar stool goes well with standing height tables and is available unupholstered and with several upholstery and material options.



MATERIAL DESCRIPTION:

Seat material: oak, ash or stained ash

Upholstery alternatives: without upholstery, seat upholstered, seat and backrest upholstered, fully upholstered

Base: white, black, chrome or Inspiring Colours
Felt glides

PRODUCT CODE NUMBER:

377DEM (DEMC/DEMBC/DEMD) = medium high sled base, without upholstery, stackable, standard backrest

377DEMM (DEMMC/DEMMD) = medium high sled base, without upholstery, stackable, low backrest

377DEK (DEKC/DEKBC/DEKD) = high sled base, without upholstery, stackable, standard backrest

377DEKM (DEKMC/DEKMD) = high sled base, without upholstery, stackable, low backrest

BC = upholstered seat and backrest

C = upholstered seat

D = fully upholstered

FABRIC CONSUMPTION:

Seat: 0.5 m / 2 pcs

Seat and backrest: 0.85 m / 2 pcs

Fully upholstered: 0.9 m

STACKABILITY:

Stackability max 6 pcs

CARBON FOOTPRINT:

Sola 377DEK: 8.1 kg CO₂e

Sola 377DEKBC: 9.3 kg CO₂e

Sola 377DEKC: 9.0 kg CO₂e

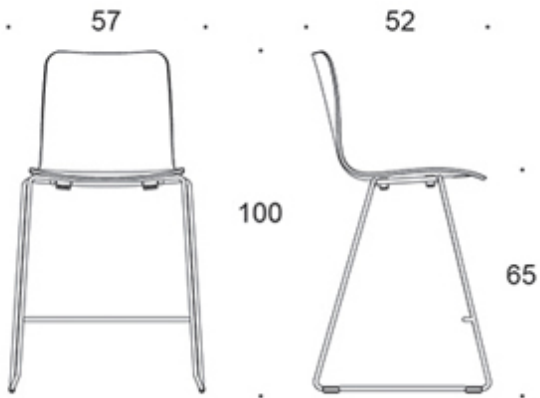
Sola 377DEKD: 11.4 kg CO₂e

Sola 377DEKM: 8.0 kg CO₂e

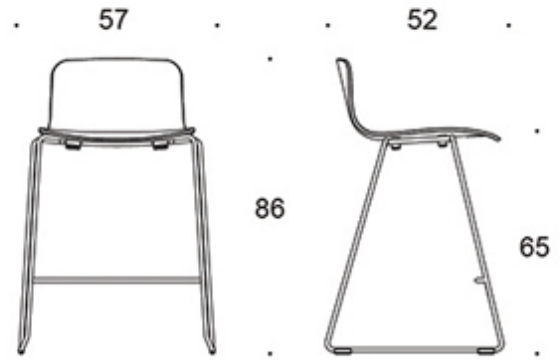
Sola 377DEKMC: 8.5 kg CO₂e

Sola 377DEKMD: 11.0 kg CO₂e

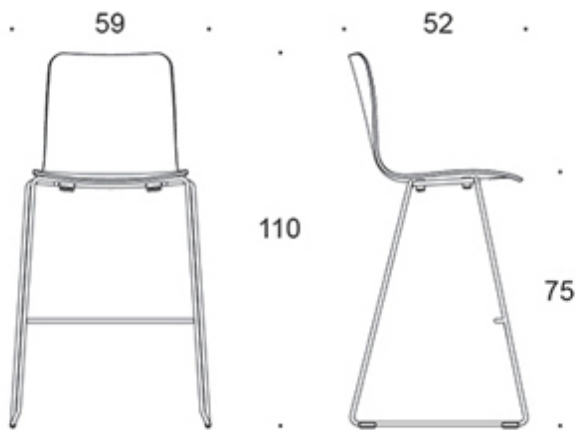
Dimensional drawing:



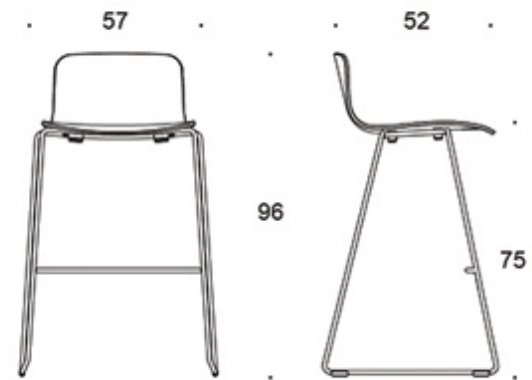
377DEM (DEMC/DEMCB/DEMD)



377DEMM (DEMMC/DEMMD)



377DEK (DEKC/DEKBC/DEKD)



377DEKM (DEKMC/DEKMD)