

Recline Tension

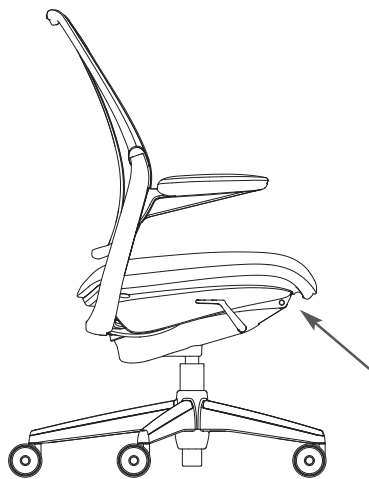
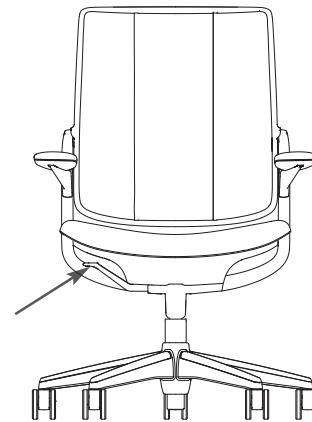
Diffrient Smart utilizes a sophisticated mechanism that automatically adjusts recline tension to match your body weight. To set recline tension, all you have to do is sit. For better health, minimize static postures by changing recline positions often.

Backrest/Lumbar Support

Diffrient Smart's revolutionary Form-Sensing Mesh Technology provides perfect support while automatically adjusting itself to your unique shape. To properly fit the backrest/lumbar support to your body, all you have to do is sit back in the chair and let Liberty do the rest.

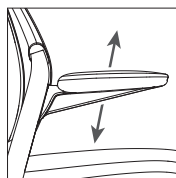
Seat Height

Lift up on lever under right side of seat cushion and position chair to a comfortable height with your thighs parallel to the floor and your feet fully supported by the floor or a footrest. Release lever.



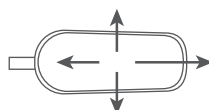
Seat Depth

Lift up on lever under forward edge of seat and slide seat to a position such that when you're sitting with your back fully against the backrest, there is at least 1" of clearance between the front edge of the seat and the back of your knee. Release lever.



To Raise or Lower

Depress button, move to desired height and release



To Slide Arms Front/Back and In/Out

Hold top of arm pads and pull-push to adjust as needed.