

DESIGNED FOR HUMAN PERFORMANCE



RH Logic 400/300



The RH Logic 400/300 is one of our most popular models. The RH Logic has been and continues to be the benchmark of high performing ergonomic seating. Its flexibility and outstanding durability sets this chair apart from others. This is a product that has been specifically created for use in any environment where ergonomic excellence and people performance are key to success. The fact that the RH Logic is also among the very best of environmentally sound chairs available makes this an even more compelling proposal.

OUR PHILOSOPHY OF ERGONOMICS

At RH Chairs we have our own philosophy of ergonomics based on the two important principles of upright posture and active sitting. These principles improve breathing and circulation and stimulate the muscles. The philosophy is evident in the RH Logic 400/300 through the unique "two-point principle" or 2PP™, which ensures that your body receives the variation and support it requires as you move. Because the chair's basic settings do not change, this helps you to do more and perform better.

DESIGNED FOR HUMAN PERFORMANCE

We engineer every RH chair for peak precision and performance. Your performance. An intelligently designed RH chair will optimise your posture and breathing, so you can always feel alert and perform at your best. Try an RH for yourself and experience the effects of over 30 years of precision engineering and ergonomic know how.

FUNCTIONAL DESIGN – Anatomical, innovative and functional performance

Precision ergonomics. Feature-rich functionality. Striking design deconstructed and reconstructed for performance. We engineer each RH Chair to targeted physiological and situational specifications. Our functions lead all our forms.

DYNAMIC ERGONOMICS – Proven human performance at the heart of our identity

Our rigorous research and testing methodology validates how an RH chair enhances individual and organisational performance. Our RH Performance Studies have demonstrated an increase in the baseline performance of all organisations who have taken part. Now, that's Return on Investment.

QUALITY – Performance and Quality are our Core

To increase customer performance we must consistently deliver products of unquestionable quality. We achieve this through the application of the exacting standards. Our 100% in-house concept to customer production flow, enables us to control every aspect from design and product development to assembly and logistics, in order to ensure a high performance quality.

ENVIRONMENT – Finding innovative ways for environmental performance

Our goal is the perpetual high performance of your people as well as the planet that we share. The result is long lasting recyclable products along with a low environmental impact upon our global home.

Seat height and depth can be adjusted quickly and simply. The controls can be accessed when seated and are marked with pictograms to make them easy to understand. The correct seat height & angle improves blood flow and provides better support.

The lumbar provides extra support for the lower back and, consequently, for the entire back. The pump adjusts the amount of air in a lumbar cushion, providing extra support.

The resistance of the tilt mechanism is simply adjusted according to body weight and height. This allows the chair to follow your movements without the need to exert muscular force to push the chair into new positions. The control wheel is located on the left side beneath the seat.



The neckrest can be adjusted by height and depth, providing support for the neck and comfort for the rest of the body.

The backrest has a generous adjustable lumbar support, providing comfort for the entire back. The height of the backrest is easily adjusted while sitting and its tapered design and "Tvedts" cushion allow your upper body to move freely.

Armrests are optional but are recommended since they provide relief for the shoulders. Two armrest variants are available. Both can be adjusted by height and width, while one can also be adjusted by depth and the other can be rotated 360 degrees.

The seat includes a layer of wool, providing improved ventilation and making it cooler than conventional pads. The waterfall edge reduces pressure on the underside of the thighs, enhancing circulation. Choose between two different seat sizes. The depth of the seat can be adjusted separately. Both the seat and backrest pads are easily exchanged. Should they become worn or stained or you want to change them for any other reason, you don't need to replace the entire chair, which is not only cost effective and practical but also great for the environment.



AN ENVIRONMENTALLY INTELLIGENT CHAIR

All chairs from RH are as kind to the environment as they are good for the body. Like all our chairs, the RH Logic 400/300 is recyclable. Many of its components are made from recycled materials, our manufacturing processes use low energy technology.

EXCHANGEABLE PADS

The seat and backrest pads are exchangeable – so you won't need to replace your chair just because the upholstery needs to be changed. This benefits both your wallet and the environment.

RH LOGIC 400 ESD

This is the same chair as the RH Logic 400 but specially adapted to ESD environments. Not available with neckrest.

RH LOGIC 400 24 HR

A chair that is used all day long naturally needs to be extra comfortable and durable. RH Logic 400 as a 24 hr chair is equipped with extra hard-wearing fabric, a backrest and seat pad in natural fibre to give the chair maximum ventilation. Logic 400 is tested and approved to EU standards (EN 1335:2009 for 24 hr chairs). As standard, the RH Logic 400 24 hr is equipped with a pump-adjusted lumbar support, castors for soft floors and a graphite aluminium base.

EPD (ENVIRONMENTAL PRODUCT DECLARATION)

For some time, RH Chairs has issued environmental product declarations for its products and was the first chair manufacturer to obtain this international certification. The EPD accounts for the materials included in a product and the extent of the burden imposed on the environment in producing that particular product. In order to achieve an EPD, RH Chairs' suppliers must also be assessed in the same way, so that the total environmental impact of the product is evident in the environmental declaration.

GREENGUARD

RH Logic 400/300 has been tested and certified in accordance with the GREENGUARD certification programme. This certification programme guarantees that all approved products intended for use in offices and other indoor environments meet strict chemical emissions limits, helping create healthy spaces.

TEN-YEAR GUARANTEE

We build chairs to withstand everyday use and to last for a long time. Before they leave our factory, they undergo rigorous quality control. This enables us to provide a full ten-year guarantee, so that you can feel completely secure with your purchase.



RH Logic

Different styles
for different users

The following versions of the RH Logic 400/300 are available: Standard, Comfort, Elegance and 24 hr. RH Logic 400 has a high back, RH Logic 300 a lower back. The Elegance and Comfort versions include additional options while the 24 hr has extra padding. All can be equipped with various accessories.



RH LOGIC 300

As standard, the RH Logic 300 is equipped with castors for soft floors and a graphite aluminium base. Lumbar support is available as an option.



RH LOGIC 300 COMFORT

As standard, the RH Logic 300 Comfort is equipped with extra padding and improved ventilation, castors for soft floors and a graphite aluminium base.



RH LOGIC 400

As standard, the RH Logic 400 is equipped with an adjustable lumbar support, castors for soft floors and a graphite aluminium base.



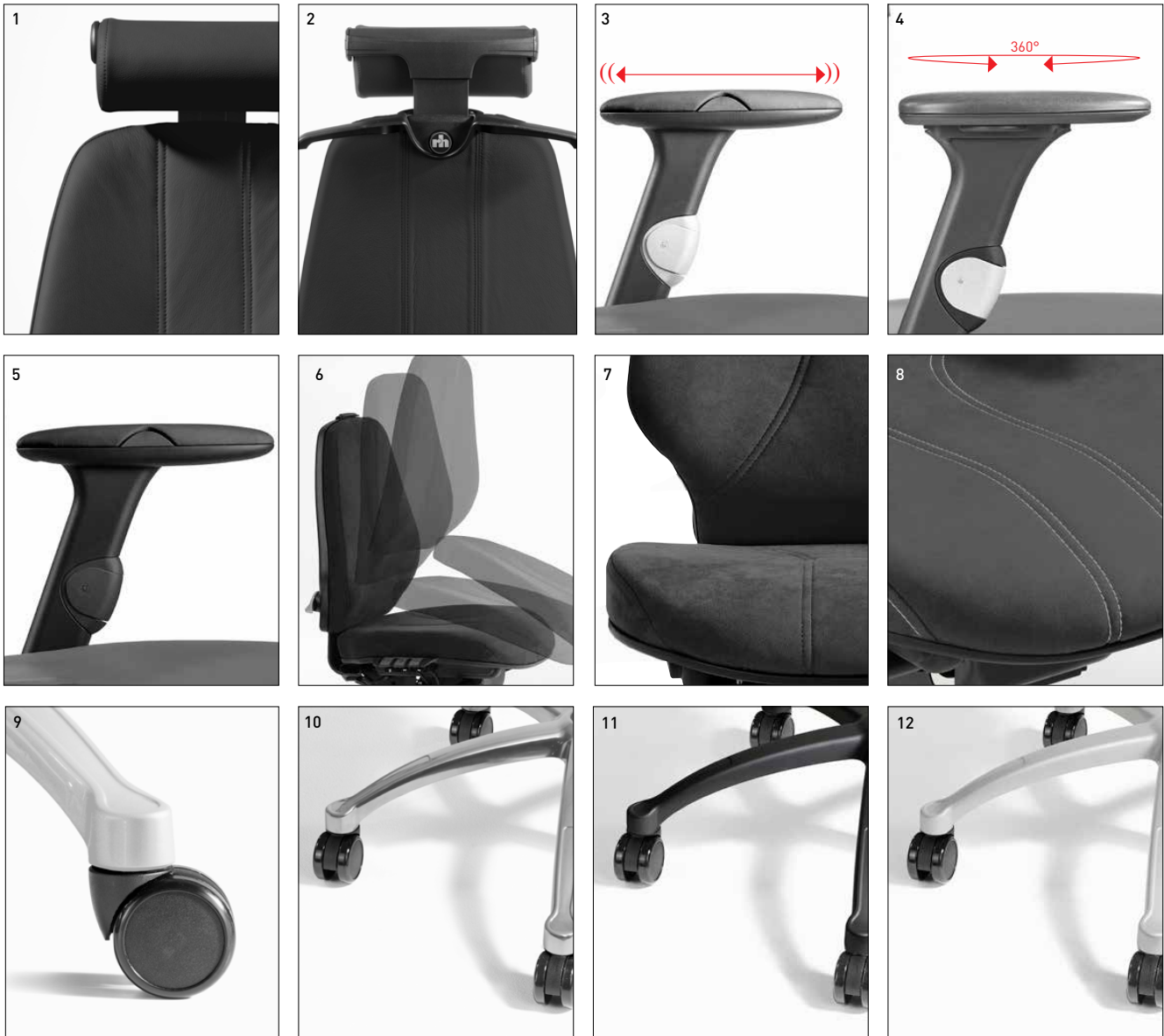
RH LOGIC 400 ELEGANCE

As standard, the RH Logic 400 Elegance is equipped with an adjustable lumbar support, upholstered back-shell, castors for soft floors and a graphite aluminium base.

Options

RH LOGIC 400/300

For your flexibility, the RH Logic 400/300 offers a highly generous range of accessories. Naturally, you can also buy the basic chair and add accessories as you need them.



- 1 Neckrest
- 2 Coat-hanger
- 3 Armrest 8E, depth, grey or black
- 4 Armrest 8S, rotating, grey or black
- 5 Armrest 8E, black/ESD, depth
- 6 Exchangeable pads

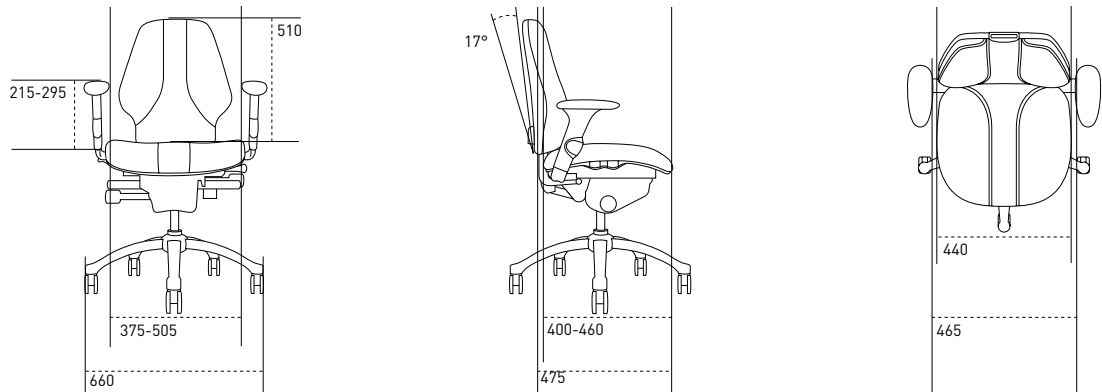
- 7 Extra large seat
- 8 Decorative stitching
- 9 Castors for hard floors
- 10 Base 5X, polished aluminium
- 11 Base 5X, black lacquered aluminium
- 12 Base 5X, grey lacquered aluminium

Gas stems

- 4Q, standard, approx. 410-530 mm
- B, approx. 480-610 mm

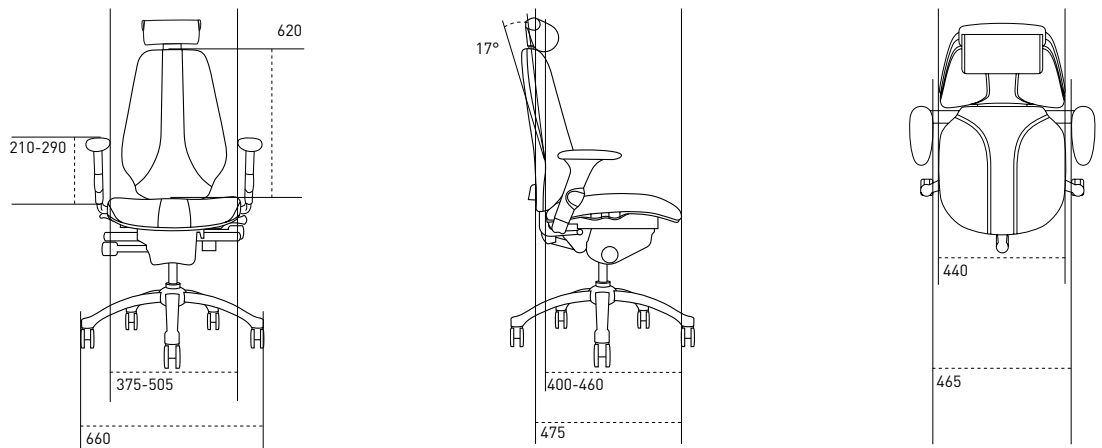
RH Logic 300

Measurements in mm



RH Logic 400

Measurements in mm



CHAIR MODEL	LOGIC 300	LOGIC 400
Seat depth with seat slide	400-460 mm	400-460 mm
Seat depth	475 mm	475 mm
Seat width	465 mm	465 mm
Seat height - standard gas stem	410-530 mm	410-530 mm
Seat angle adjustment	+7°-14°	+7°-14°
Height of lumbar support above the seat	160-235 mm	195-270 mm
Backrest height	510 mm	620 mm
Backrest height adjustment (from seat)	545-620 mm	650-725 mm
Backrest width	440 mm	440 mm
Back angle adjustment	17°	17°
Height of armrest above seat	215-295 mm	215-295 mm
Distance between armrests	375-505 mm	375-505 mm
Diameter of base	660 mm	660 mm

The design and specifications of RH Chairs' products are developed on an ongoing basis and the above formulations should not be perceived as completely final. All measurements according to BS/EN 1335 - 1.



Scandinavian Business Seating owns the brands HÅG, RH and RBM and is a Scandinavian market leader in the design and manufacturing of seating for private and public office environments. Together all employees work to realise the company's vision – To make the world a better place to sit.

Scandinavian Business Seating has its head office in Oslo and production units in Røros, Norway and Nässjö, Sweden. Additionally the company has sales companies in Denmark, Sweden, Germany, the Netherlands, UK, France, Singapore, Switzerland and China.

Scandinavian Business Seating Ltd
Upper Tulse Hill Trading Estate
5 Somers Place, London, SW2 2AL
Tel: 020-8683 9930, Fax: 020-8683 9940
info@sbseating.co.uk
www.rhchairs.co.uk

Showroom
63 Central Street, Clerkenwell,
London, EC1V 3AF

Head office
Scandinavian Business Seating AS
Fridtjof Nansens vei 12
P.O.Box 5055 Majorstuen
NO-0301 Oslo, Norway
www.sbseating.com

