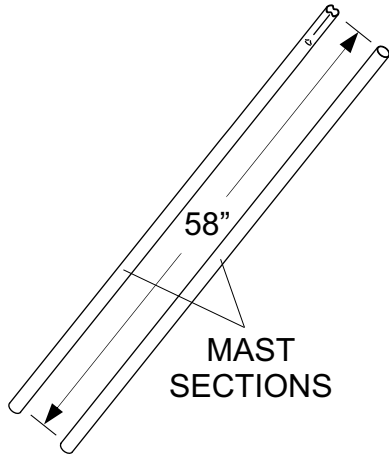
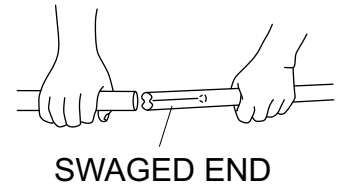


# MASTS AND BRACKETS

NOW AVAILABLE FROM MAXIMUM

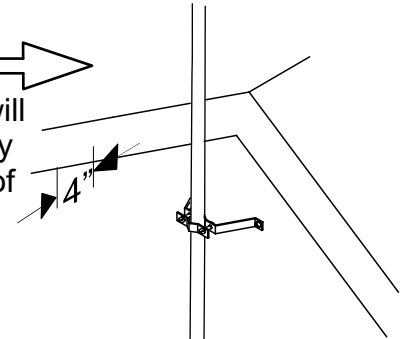
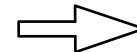
## MAST SECTIONS

Masts are available in Type 304, mill finish stainless steel or triple coated galvanized steel. Masts will arrive as two 58" long, 1.25" O.D. sections that join together to make a single 9' 4" mast. These masts are ideally suited for use with all Maximum, Inc. wind instruments.



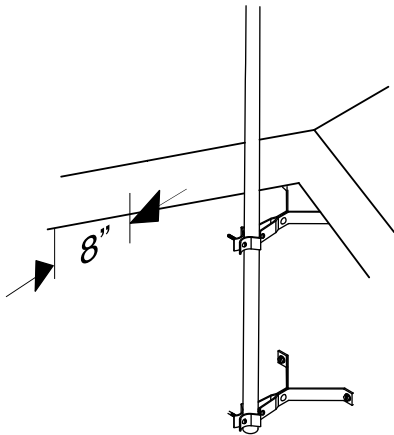
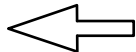
## 4 INCH WALL MOUNT

The 4 inch wall bracket mounting assembly will handle obstructions of up to 4 inches that may be in the way of the sensor mast (such as roof overhang).



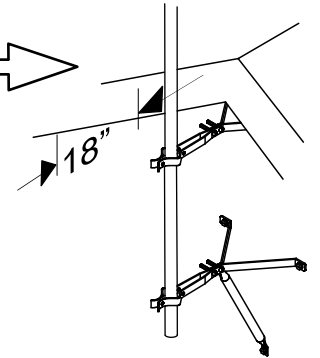
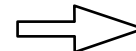
## 8 INCH WALL MOUNT

The 8 inch wall bracket mounting assembly will handle obstructions of up to 8 inches that may be in the way of the sensor mast (such as roof overhang).



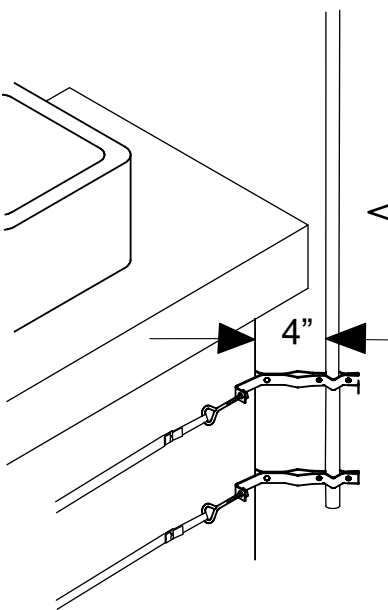
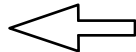
## 18 INCH WALL MOUNT

The 18 inch wall bracket mounting assembly will handle obstructions of up to 18 inches that may be in the way of the sensor mast (such as roof overhang). Includes third leg on bottom bracket for added support.



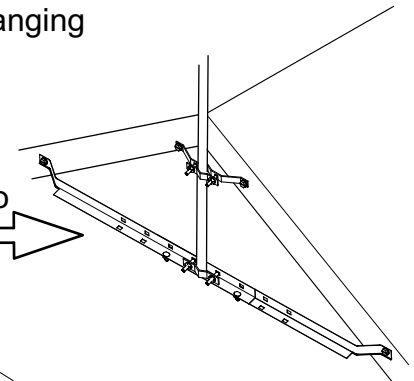
## CHIMNEY MOUNT

The hardware includes 18 feet of stainless steel strap to handle most any size chimney. The brackets will provide clearance for an overhanging chimney cap, or other obstruction up to 4".

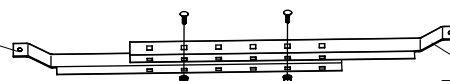


## ADJUSTABLE EAVE MOUNT

Lower bracket adjusts from 45" to 60" to accommodate most any roof pitch.



BRACKET  
HALF



BRACKET  
HALF

MAXIMUM INC

30 Samuel Barnet Blvd.  
New Bedford, MA 02745  
(508) 995-2200