

## Step 162:

Congratulations, this completes the assembly of the Two Story House.



# 2 Story House OWNER'S MANUAL & ASSEMBLY INSTRUCTIONS

ITEM: 657931C3 Little Tikes® • 2180 Barlow Road, Hudson, Ohio 44236 • 1-800-321-0183

**THIS PRODUCT IS INTENDED FOR USE BY CHILDREN FROM AGES 3 TO 10.  
CAPACITY: 4 USERS MAXIMUM - WEIGHT LIMIT: 110 lbs. (50 kg) PER CHILD  
FOR OUTDOOR USE.**



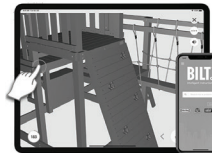
At minimum, two people are required to lift the boxes that contain the parts for this unit and to assemble this unit.



For the latest instruction manual, to register your product, or to order replacement parts, please visit:

[www.littletikes.com](http://www.littletikes.com)

Before you begin



3D-GUIDED INTERACTIVE ASSEMBLY  
INSTRUCTIONS CAN BE FOUND IN BILT®  
DOWNLOAD THE **FREE APP**



Please keep this manual as it contains important information.



© The Little Tikes Company, an MGA Entertainment company.  
LITTLE TIKES® is a trademark of Little Tikes in the U.S. and other countries. All logos, names, characters, likenesses, images, slogans, and packaging appearance are the property of Little Tikes.  
Printed in U.S.A. • 0821-0-C3

Little Tikes Consumer Service  
2180 Barlow Road  
Hudson, Ohio 44236 U.S.A.  
1-800-321-0183



**STOP!**

If any parts are damaged or missing, please contact  
consumer service before returning the item.

**LITTLE TIKES®**  
1-800-321-0183  
8 a.m. - 8 p.m. EST · 7 DAYS A WEEK

1. Have your receipt handy.
2. Locate the item number on the front of this manual.
3. Reference the parts list in this manual.

**READ THIS ENTIRE MANUAL THOROUGHLY BEFORE ASSEMBLY AND USE.**

- To reduce the risk of serious injury or death, you **MUST** read and follow these instructions before assembly and before use. Pay close attention to the important information, warnings and safety information. Keep and refer to these instructions often. Give them to any future owner of this unit.
- The boxes containing the parts for this unit are very heavy. Do not attempt to lift by yourself. To prevent possible injury, at least two people are required to lift these boxes.
- After reviewing the entire manual, decide if you will need professional assistance assembling this unit.
- Before beginning assembly, separate and identify the contents of this unit to ensure you have all parts listed in this manual.
- If you cannot find a part, check the packing materials thoroughly, as loose parts and small pieces may have shifted in transit.
- If any part is missing or damaged, contact Little Tikes Consumer Service: [www.littletikes.com](http://www.littletikes.com) or 1-800-321-0183.

Please retain these instructions for future reference, and take a moment to write down this information for efficient service.

**ITEM NUMBER:** \_\_\_\_\_

**PURCHASE LOCATION:** \_\_\_\_\_

**DATE OF PURCHASE:** \_\_\_\_\_

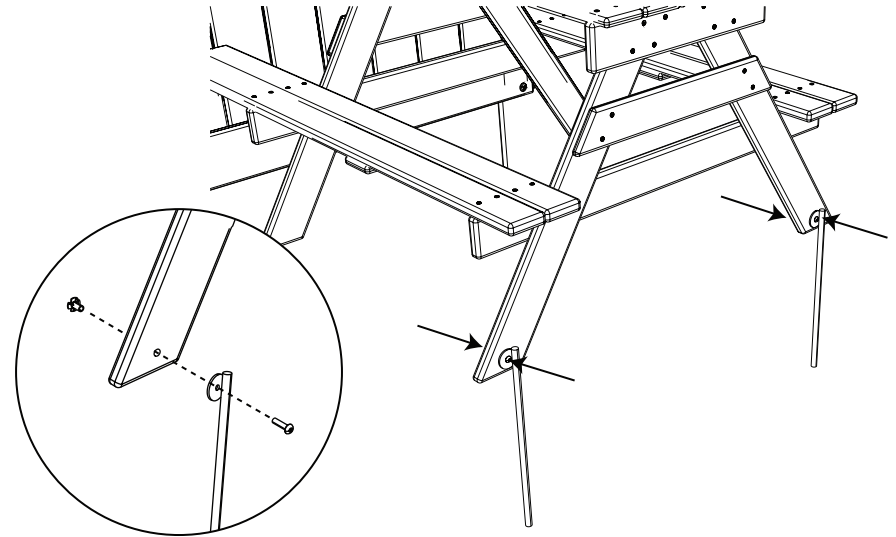
**INSTALLATION DATE:** \_\_\_\_\_

**INSTALLED BY:** \_\_\_\_\_

It is recommended you attach your dated sales receipt to this page for future reference.

**Step 160:**

Insert (1) Ground Anchor Nut (HD24) into each Table Leg (072). Hammer (1) Ground Anchor (HD24) into the ground next to each Table Leg (072) as shown. Secure each Ground Anchor using (1) Ground Anchor Bolt (HD24).



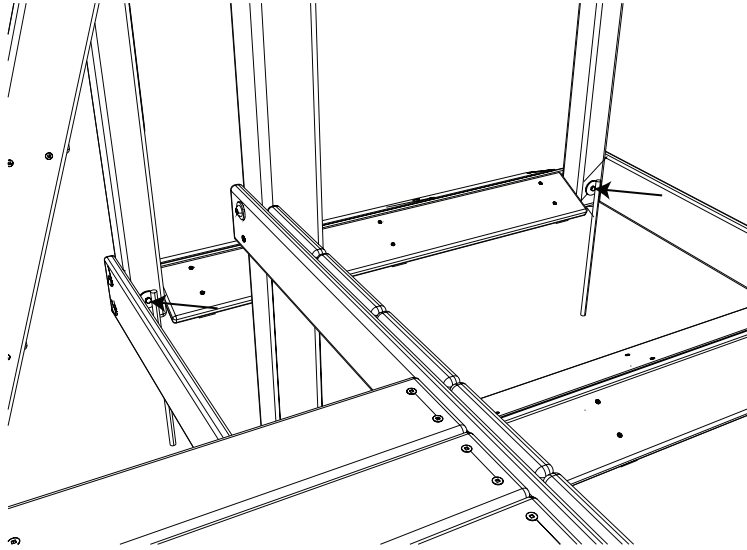
**Step 161:**

Double check to ensure all hardware is fully tightened.



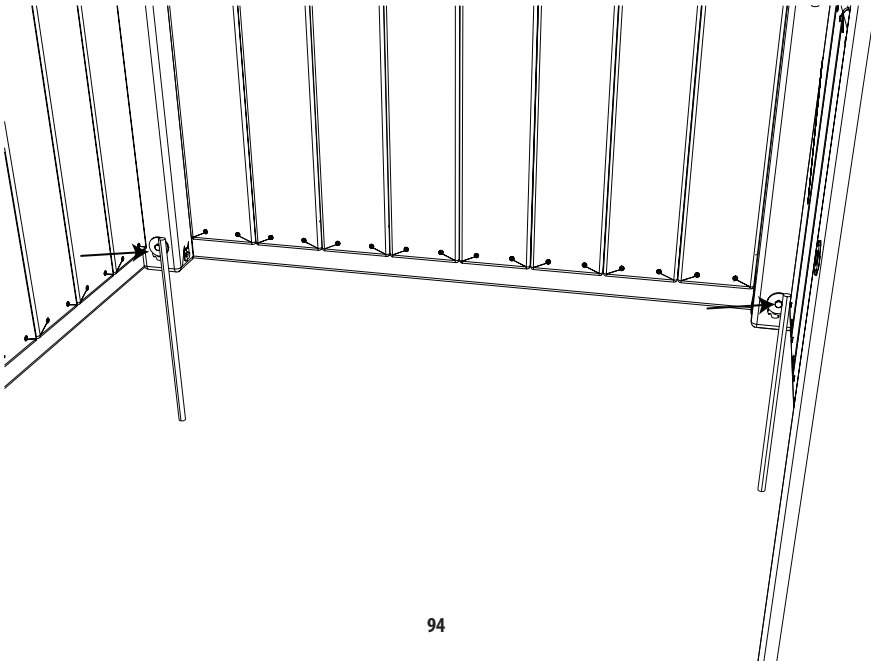
## Step 158:

Hammer (1) Ground Anchor (HD23) into the ground next to each Tower Leg (003) as shown. Secure each Ground Anchor using (1) Ground Anchor Screw.



## Step 159:

Hammer (1) Ground Anchor (HD23) into the ground next to each Tower Leg (001) as shown. Secure each Ground Anchor using (1) Ground Anchor Screw (HD23).



## IMPORTANT SAFETY INFORMATION

### **⚠ WARNING:**

- To reduce the risk of serious injury or death, you **MUST** read and follow these instructions before assembly and before use.
- CONTINUOUS ADULT SUPERVISION IS REQUIRED.
- This unit is recommended for use by children 3-10 years of age.
- Not suitable for children under 3 due to their inability to use safely.
- **WARNING: ONLY FOR DOMESTIC USE.**
- **RESIDENTIAL HOME USE ONLY.** This unit is not intended for public use. The manufacturer does not warranty this product if it is used for commercial purposes like daycare, schools, churches, nurseries or parks.
- Children must not use this product prior to complete assembly and inspection by a competent adult. The unit must be fully assembled, properly installed and anchored prior to use.

### **SERIOUS HEAD INJURY HAZARD:**

Installation over concrete, asphalt, dirt, grass, carpet and other hard surfaces creates a risk of serious injury or death from falls to the ground. Install and maintain shock absorbing material under and around this unit as recommended in this manual.

### **COLLISION HAZARD:**

Place this unit on level ground at least 6 ft. (2m) from any obstruction such as a garage or house, fences, poles, trees, sidewalks, walls, landscape timbers, rocks, pavement, planters, garden borders, overhanging branches, laundry lines, and electrical wires.

### **CHOKING HAZARD/ SHARP EDGES & POINTS:**

**ADULT ASSEMBLY REQUIRED.** This product contains small parts and parts with sharp edges and points. Keep parts away from children until fully assembled.

### **STRANGULATION HAZARD:**

- NEVER allow children to play with ropes, clotheslines, pet leashes, cables, chains, cord-like items, or items with a cord or strap when playing on this unit. DO NOT attach these items or similar items to this unit.
- NEVER allow children to wear loose-fitting clothing, such as, but not limited to: ponchos, hoods, scarves, capes, necklaces, items with draw-strings, cords or ties when playing on this unit. Open-toe/open-heel footwear is not permitted. Children should wear well-fitting clothing and closed-toe shoes.
- NEVER allow children to wear bike or sports helmets when playing on this unit. Instruct them to remove these items before playing on this unit.

### **TIP OVER HAZARD:**

Choose a level surface for this equipment. This can reduce the likelihood of the unit tipping over and loose-fill materials from washing away during heavy rains. Stakes must be installed straight up and not at an angle. Ensure soil conditions are adequate to firmly hold the stakes. DO NOT allow children to play on this unit until assembly is complete and the unit is properly anchored.

### **WARNING LABEL:**

Owners are responsible for maintaining legibility of the warning labels. Please remove the protective film on the signage and logo plate before use.

## INSTRUCTIONS FOR SAFE USE

### **⚠ WARNING:**

- User safety is our top concern. Read and understand the following statements and warnings to reduce the likelihood of serious or fatal injury. Review this information with your child and any other users.
1. **ON-SITE, CONTINUOUS ADULT SUPERVISION IS REQUIRED FOR CHILDREN OF ALL AGES.** Most serious injuries and deaths on playground equipment result when children are playing unsupervised. This product meets all applicable safety standards. Complying with all warnings and important information in this manual will reduce the risk of serious or fatal injury to children playing on this unit. Review all warnings and play information regularly with any child using this unit. Ensure children fully understand and follow these instructions.
  2. This unit is designed for a specific number of users whose combined weight should not exceed the capacity limitations of 110 lbs. per child with a maximum of 4 children.
  3. DO NOT allow children to use the equipment in a manner other than intended.
  4. DO NOT climb or use the unit when it is wet. Wipe dry before use.
  5. DO NOT jump from the deck or any part of the unit. Always use ladders and ramps. Standing on or jumping from elevated surfaces can be dangerous.
  6. DO NOT crawl or climb on the roof.
  7. Verify that any suspended climbing rope, chain, or cable is secured at both ends and that it cannot be looped back on itself and create an entanglement hazard.
  8. DO NOT attach items to the unit that are not specifically designed for use with the unit, such as, but not limited to: jump ropes, clotheslines, pet leashes, cables and chains, as they may cause a strangulation hazard.
  9. Any modifications made to this product must be carried out according to these instructions. Installation of included ropes, nets and other attached accessories must be fixed on all ends according to these instructions.
  10. Never add extra length to chain or rope. The chains or ropes provided are the maximum length designed for the swinging elements.

# IMPORTANT SAFETY INFORMATION

## RECOMMENDED SURFACING

### ⚠️ WARNING:

To reduce the likelihood of serious head injuries, install shock-absorbing protective surfacing under and around this unit. The protective surfacing should be applied to a depth suitable for the unit height in accordance with ASTM F1292. Follow the guidelines below for each type of surfacing:

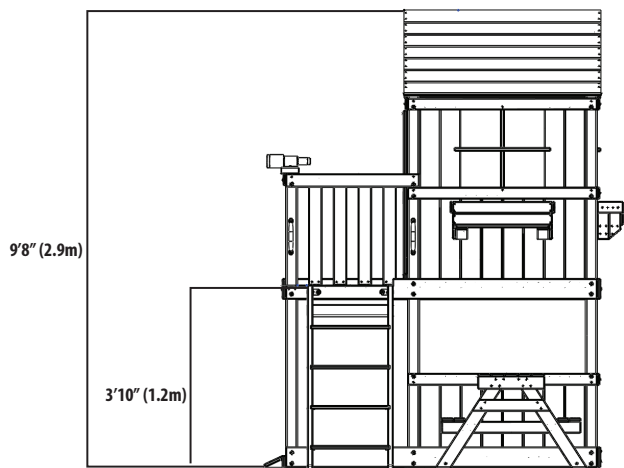
**NOTE:**

- DO NOT install this unit over concrete, asphalt, packed earth, grass, carpet, or any other hard surface. A fall onto a hard surface can result in serious injury to the user. Grass and dirt are not considered protective surfacing because wear and environmental factors can reduce their shock-absorbing effectiveness. Carpeting and thin mats are not adequate protective surfacing.
- \*Ground level equipment, such as a sandbox, activity wall, playhouse or other equipment that has no elevated play surface, does not need any protective surfacing.
- DO NOT install loose fill surfacing over hard surfaces like concrete or asphalt.
- Shredded bark mulch, wood chips, fine sand and fine gravel are added as shock-absorbing materials after assembly. If used properly, these materials can absorb some of the impact of a child's fall.
- All surface material should extend a minimum of 6 ft. (2m) in all directions around the play area.
- DO NOT apply surfacing materials until after the unit is completely assembled and anchored.

### UNIT POSITIONING

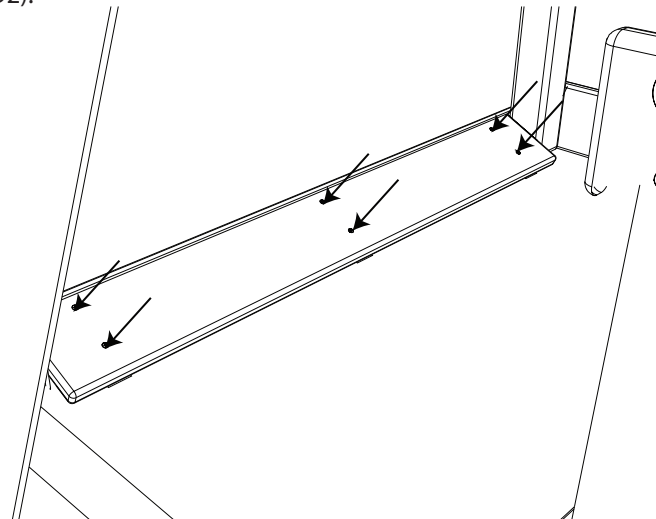
- PLEASE REFER TO CRITICAL FALL HEIGHT INFORMATION.
- This unit should be installed on a level surface by an ADULT with an ADULT ASSISTANT. Place the unit on a flat area to minimize ground preparation.
- Choose a level location for this unit to reduce the likelihood of the play set tipping over and loose-fill surfacing material washing away during heavy rains.
- Place this unit no less than 6 feet (2 meters) from any structure or obstruction, such as a fence, garage, house, overhang, branches, laundry lines, or electrical wires.
- Provide enough room so that children may play on this unit safely. For example, for structures with multiple play activities, a slide should not exit in front of a swing.
- Place this unit where adults are easily able to watch children at play.
- Create a play area free of obstacles that could cause injuries - such as low-hanging tree branches, overhead wires, tree stumps or roots, large rocks, bricks, and concrete.
- Do not build this unit on top of surfacing material.

### VERTICAL HEIGHT



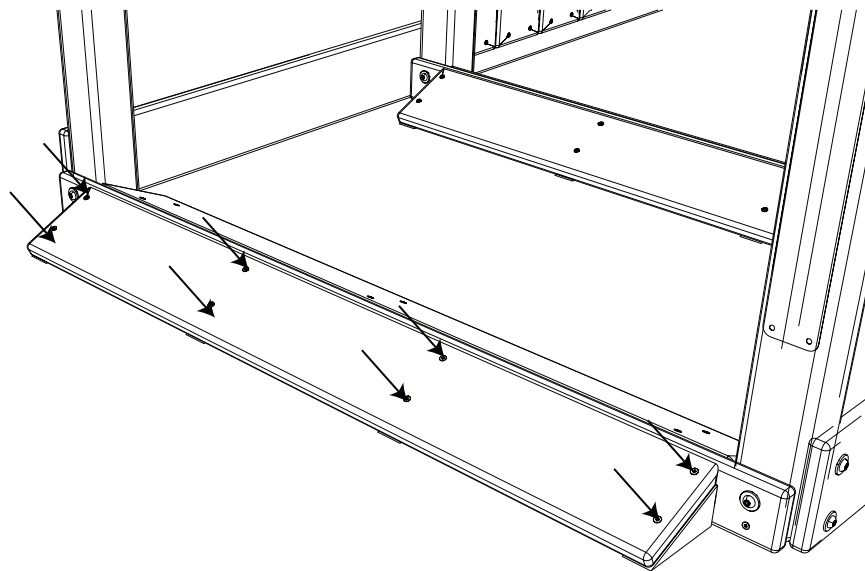
### Step 156:

Align and attach (1) Ground Connect Board (012) to the (3) Brace Boards using (6) Screws (S92).



### Step 157:

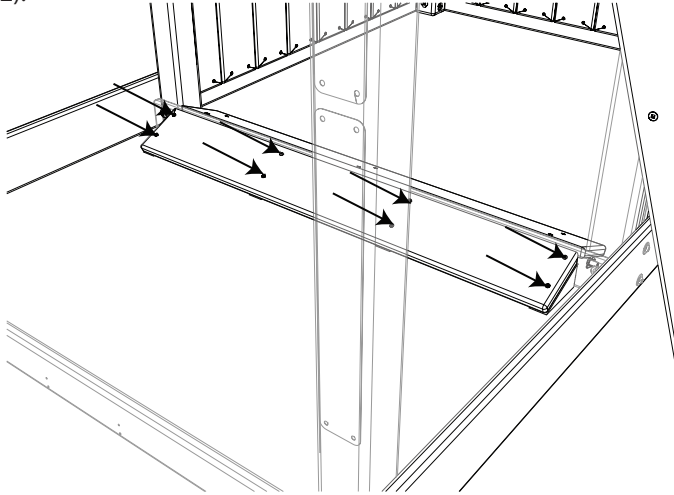
Align and attach (1) Ground Connect Board (024) to the (4) Brace Boards using (8) Screws (S92).





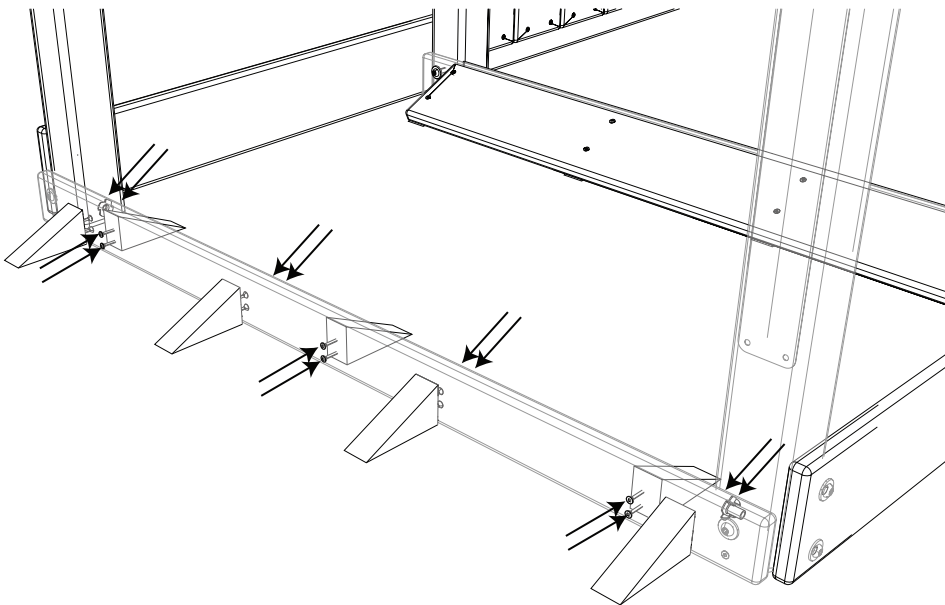
## Step 154:

Align and attach (1) Ground Connect Board (024) to the (4) Brace Boards using (8) Screws (S92).



## Step 155:

Attach (7) Brace Boards (025) to the Baseboard (023) using (14) Screws (S92) as shown.



## IMPORTANT SAFETY INFORMATION

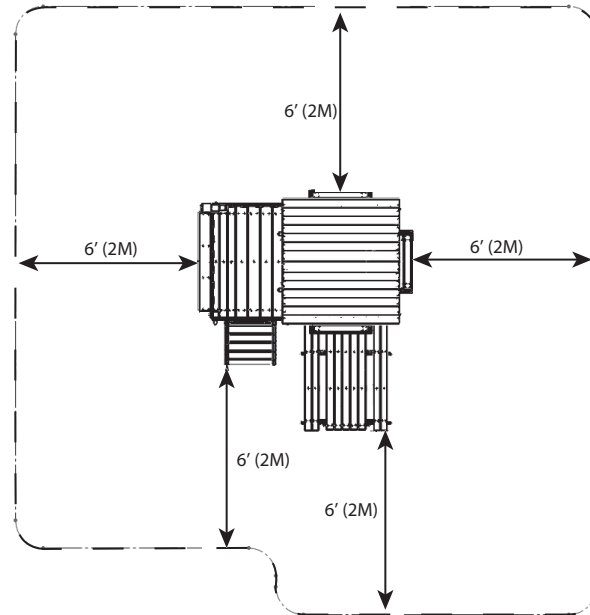
### CRITICAL FALL HEIGHT

Maximum critical fall height is 6 feet (2m). The obstacle-free safety zone which requires safety surfacing is a perimeter that extends 6 feet (2 meters) out from the unit and at least 12 feet (3.7 meters) in front and back of to-fro swings.

Material	Uncompressed Depth			Compressed Depth
	6" (152mm)	9" (228mm)	12" (304mm)	
Wood Chips	7' (2.13m)	10' (3.05m)	11' (3.35m)	10' (3.05m)
Double-Shredded Bark Mulch	6' (2m)	10' (3.05m)	11' (3.35m)	7' (2.13m)
Engineered Wood Fibers (EWF)	6' (2m)	7' (2.13m)	> 12' (3.66m)	6' (2m)
Fine Sand	5' (1.52m)	5' (1.52m)	9' (2.74m)	5' (1.52m)
Coarse Sand	5' (1.52m)	5' (1.52m)	6' (2m)	4' (1.22m)
Fine Gravel	5' (1.52m)	7' (2.13m)	10' (3.05m)	6' (2m)
Medium Gravel	5' (1.52m)	5' (1.52m)	6' (2m)	5' (1.52m)
Shredded Tires*	10-12' (3.0-3.6m)	N/A	N/A	N/A

\* This data is from tests conducted by independent testing laboratories on a 6-inch depth of uncompressed shredded tire samples produced by four manufacturers. The tests reported critical heights, which varied from 10 feet to greater than 12 feet. It is recommended that persons seeking to install shredded tires as a protective surface request test data from the supplier showing the critical height of the material when it was tested in accordance with ASTM F1292.

### SAFETY SURFACING REQUIREMENTS



# INFORMATION ON PLAYGROUND SURFACING MATERIALS

The following information is from the United States Consumer Product Safety Commission's Information Sheet for playground surfacing material. Additional information can be found here: <https://www.cpsc.gov/s3fs-public/324.pdf>

## SECTION 4 OF THE CONSUMER PRODUCT SAFETY COMMISSION'S OUTDOOR HOME PLAYGROUND SAFETY HANDBOOK<sup>9</sup>

### Select Protective Surfacing

One of the most important things you can do to reduce the likelihood of serious head injuries is to install shock-absorbing protective surfacing under and around your play equipment. The protective surfacing should be applied to a depth that is suitable for the equipment height in accordance with ASTM F 1292. There are different types of surfacing to choose from; whichever product you select, follow these guidelines:

**NOTE:** Do not install home playground equipment over concrete, asphalt, or any other hard surface. A fall onto a hard surface can result in serious injury to the equipment user. Grass and dirt are not considered protective surfacing because wear and environmental factors can reduce their shock absorbing effectiveness. Carpeting and thin mats are generally not adequate protective surfacing. Ground level equipment such as a sandbox, activity wall, playhouse or other equipment that has no elevated play surface – does not need any protective surfacing.

### Loose-Fill Materials:

- Maintain a **minimum depth** of 9 inches of loose-fill materials such as wood mulch/chips, engineered wood fiber (EWF), or shredded/recycled rubber mulch for equipment up to 8 feet high; and 9 inches of sand or pea gravel for equipment up to 5 feet high.

**NOTE:** An initial fill level of 12 inches will compress to about a 9-inch depth of surfacing overtime. The surfacing will also compact, displace, and settle, and should be periodically refilled to maintain at least a 9-inch depth.

- Use a minimum of 6 inches of protective surfacing for play equipment less than 4 feet in height. If maintained properly, this should be adequate. (At depths less than 6 inches, the protective material is too easily displaced or compacted.)

- Use containment, such as digging out around the perimeter and/or lining the perimeter with landscape edging. Don't forget to account for water drainage.

- Check and maintain the depth of the loose-fill surfacing material. To maintain the right amount of loose-fill materials, mark the correct level on play equipment support posts. That way you can easily see when to replenish and/or redistribute the surfacing.

- **Do not** install loose-fill surfacing over hard surfaces such as concrete or asphalt.

### Poured-In-Place Surfaces or Pre-Manufactured Rubber Tiles

You may be interested in using surfacing other than loose-fill materials – like rubber tiles or poured-in-place surfaces.

- Installations of these surfaces generally require a professional and are not “do-it-yourself” projects.

- Review surface specification before purchasing this type of surfacing. Ask the installer/manufacturer for a report showing that the

product has been tested to the following safety standard: ASTM F 1292 *Standard Specification for Impact Attenuation of Surfacing*

*Materials within the Use Zone of Playground Equipment*. This report should show the specific height for which the surface is intended to

protect against serious head injury. This height should be equal to or greater than the *fall height* – vertical distance between a designated

play surface (*elevated surface for standing, sitting, or climbing*) and the protective surfacing below – of your play equipment.

- Check the protective surfacing frequently for wear.

### Placement:

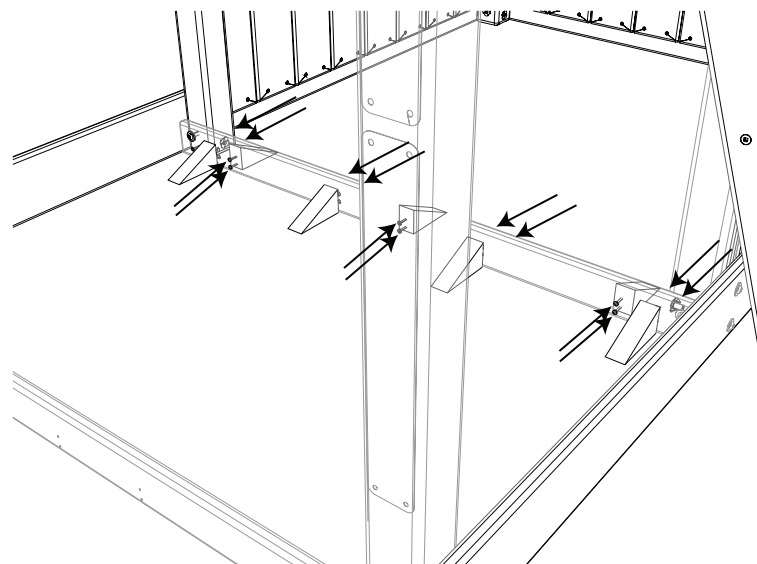
Proper placement and maintenance of protective surfacing is essential. Be sure to:

- Extend surfacing at least 6 feet from the equipment in all directions.

<sup>9</sup> This information has been extracted from the CPSC publications “Playground Surfacing — Technical Information Guide” and “Handbook for Public Playground Safety.” Copies of these reports can be obtained by sending a postcard to the: Office of Public Affairs, U.S. Consumer Product Safety Commission, Washington, D.C., 20207 or call the toll-free hotline: 1-800-638-2772.

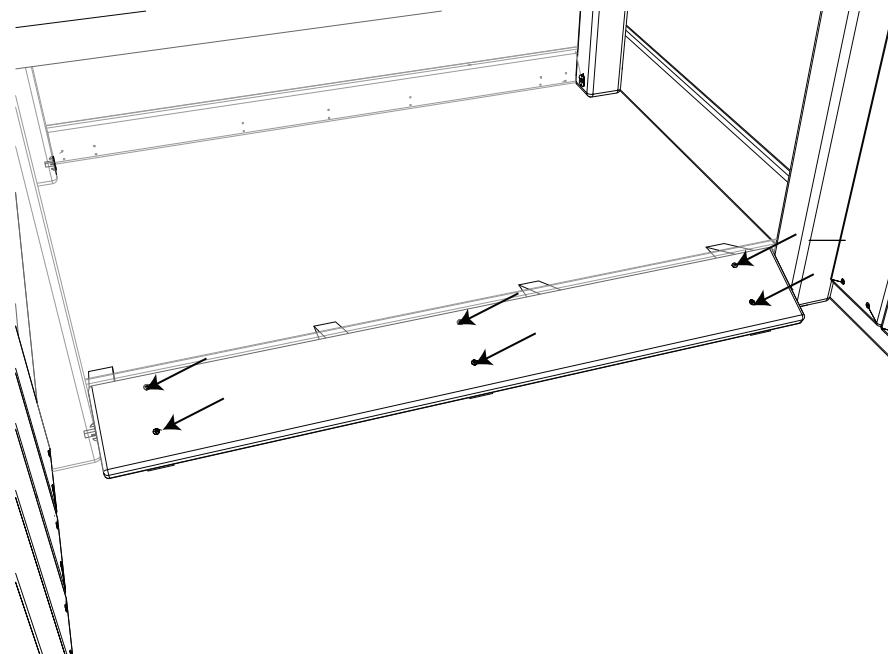
## Step 152:

Attach (7) Brace Boards (025) to the Baseboard (023) using (14) Screws (S92) as shown.



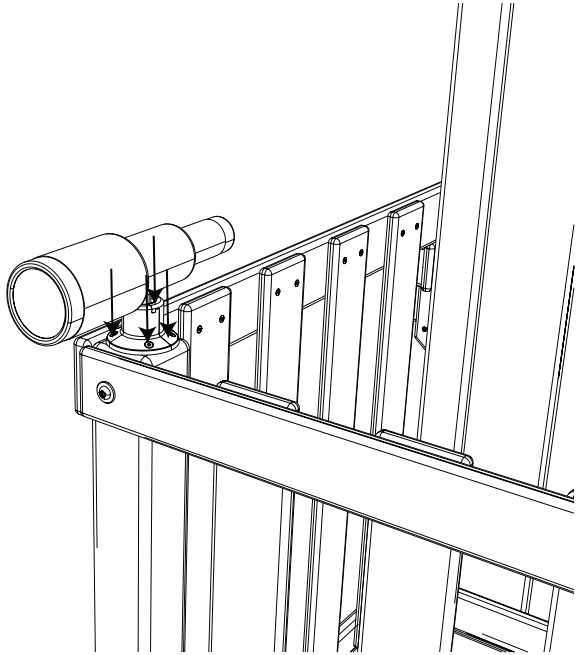
## Step 153:

Align and attach (1) Ground Connect Board (012) to the (3) Brace Boards using (6) Screws (S92).



## Step 150:

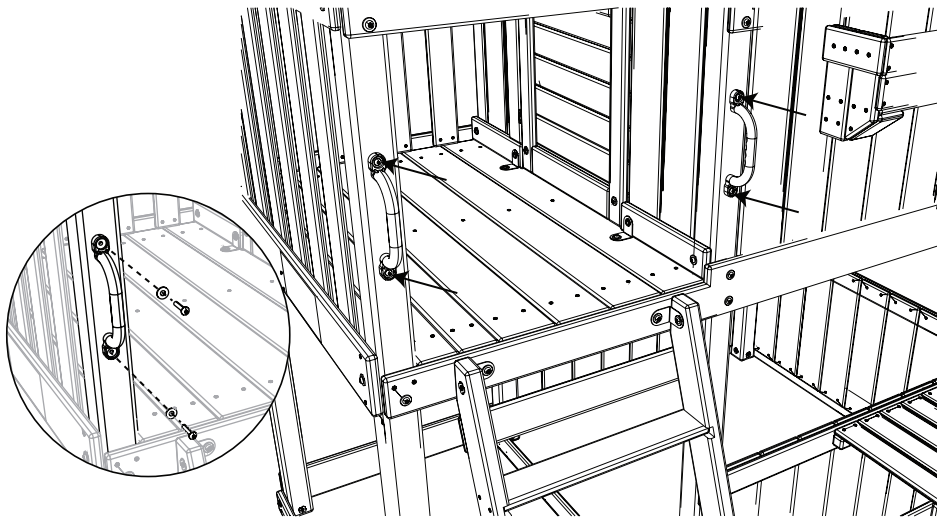
Attach the Telescope Assembly to the Tower Leg (003) using (4) Telescope Screws.



## Step 151:

Attach (1) Handle (AC17) to Tower Leg (003) using (2) Handle Washers (AC17) and (2) Handle Screws (AC17). Attach (1) Handle (AC17) to Tower Leg (002) using (2) Handle Washers (AC17) and (2) Handle Screws (AC17).

Note: You may need a Rubber Mallet.



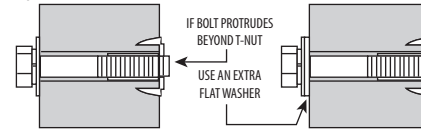
## IMPORTANT SAFETY INFORMATION

ONLY REPLACE DAMAGED OR DEFECTIVE PRODUCT PARTS ACCORDING TO THE MANUFACTURER'S INSTRUCTIONS.

### MAINTENANCE

#### At the beginning of each play season:

- Tighten all hardware, but do not over-tighten to prevent splintering.
- Lubricate all metallic moving parts per manufacturer's instructions.
- Check that swing hanger bolts are secure and tight. Quick clips should be completely closed and threaded clips screwed tight. Ropes should be secure at both ends so they cannot loop back and create an entrapment.
- Check all protective coverings on bolts, pipes, edges and corners. Replace if they are loose, cracked or missing.
- Check for sharp edges or protruding screw threads. Add washers if required.



- Check ground stakes for looseness, damage or deterioration. Ensure soil conditions are adequate to firmly hold the stakes. Firmly anchor unit to the ground during use. Re-secure or replace if necessary.
- Check all moving parts including swing seats, ropes, cables, and chains for wear, rust or other deterioration. Replace as needed.
- Check metal parts for rust. If found, sand and repaint using a non-lead based paint which complies with 16 CFR 1303.
- Check all wood pieces for deterioration and splinters. Sand down splinters and replace deteriorating wood.
- Reinstall any plastic parts, such as swing seats or any other items that were removed for the cold season.
- Rake and check depth of loose fill protective surfacing materials to prevent compaction and to maintain appropriate depth. Replace as necessary.

#### At the end of each play season:

\* Or when the temperature falls below 32° F

- Remove plastic swing seats and other items as specified by the manufacturer and take indoors. Plastic components may become more brittle in cold conditions.
- Rake and check depth of loose fill protective surfacing materials to prevent compaction and to maintain appropriate depth. Replace as necessary.

Owners MUST maintain the legibility of the warning labels.

### THIRD PARTY ASSEMBLY

Should you elect to use a third party person or service to assemble this product, the manufacturer assumes no responsibility or liability for any charge incurred for any assembly services. Please see our warranty for more information about damaged and missing part replacement coverage. Little Tikes will not reimburse the customer for the price of parts purchased.

### WOOD WEATHERING

Although the manufacturer has taken great care in selecting premium lumber, wood is a product of nature and is susceptible to weathering. As the climate changes, moisture moves in and out of the wood, causing tension which can result in checking and warping.

- Checking: Surface cracks in the wood along the grain.
- Warping: Distortion from the original plane of the board. This usually happens from wetting and drying of the wood.
- Fading: A natural change in the wood color as it is exposed to sunlight. Wood may turn gray over time.

The factory-applied coating will decrease over time due to water absorption and sunlight. Apply a water repellent or stain on a yearly basis. Most weathering is a normal result of nature and will not affect safe and enjoyable play on this unit. If you have any concerns about weathering, contact consumer service.

#### Twice a month during play season:

- Tighten all hardware, but do not over-tighten to prevent splintering.
- Check all protective coverings on bolts, pipes, edges and corners. Replace if they are loose, cracked or missing. Check bolt covers for sharp edges. Replace as needed.
- Check for sharp edges or protruding screw threads. Add washers if required.
- Rake and check depth of loose fill protective surfacing materials to prevent compaction and to maintain appropriate depth. Replace as necessary.
- Check all moving parts including swing seats, ropes, cables, and chains for wear, rust or other deterioration. Replace as needed.
- Lubricate all metallic moving parts per manufacturer's instructions.

#### Additional Maintenance:

- Check the swing beam and hardware every two weeks due to wood expansion and contraction. It is particularly important that this procedure be followed at the beginning of each season.
- Inspect wood parts monthly. The grain of the wood sometimes will lift in the dry season causing splinters to appear. Light sanding may be necessary to maintain a safe play environment. Treat your unit with stain regularly to help prevent severe splitting and other damage.
- A waterborne transparent stain has been applied to your unit. This is done for color only. Once or twice a year, depending on your climate conditions, you must apply some protection (sealant) on your unit. Prior to the application of the sealant, lightly sand any rough spots on your unit. **Please note this is a requirement of your warranty.**
- Assembling and maintaining the unit on a level surface is very important. As your children play, your unit will slowly dig its way into the soil, and it is very important that it settles evenly. Make sure the unit is level once each year or at the beginning of each play season.

### DISPOSAL



Once you no longer desire to play with or keep the unit, it should be disassembled and disposed of in such a way that no unreasonable hazards exist at the time the unit is discarded. Follow local waste ordinances.

## LIMITED WARRANTY

The Little Tikes Company makes fun, high quality toys. We warrant to the original purchaser that this product is free of defects in materials or workmanship for one year from the date of purchase (dated sales receipt is required for proof of purchase). In addition, all wood carries a pro-rated 5 year warranty against rot and decay. Please contact consumer service for any charges associated with replacement parts under this warranty. All other parts, such as hardware, swings, rides, accessories, and slides carry a one year warranty. The Little Tikes Company will replace any parts within the first 90 days from the date of purchase if they are found to be missing from the original packaging or damaged upon receipt.

This warranty applies to the original owner and registrant and is non-transferable. Regular maintenance is required to assure maximum life and performance of this product, and failure by the owner to maintain the product according to the maintenance requirements may void this warranty. Maintenance guidelines are provided in this manual.

### This limited warranty does not cover:

- Labor for any inspection
- Labor for replacement of any defective item(s)
- Incidental or consequential damage
- Cosmetic defects which do not affect performance or integrity of a part or the entire product
- Vandalism, improper use, failure due to loading or use beyond the capacities stated in this manual
- Acts of nature including but not limited to wind, storms, hail, floods or excessive water exposure
- Improper installation including but not limited to installation on uneven, unlevel or soft ground
- Minor twisting, warping, checking or any other natural occurring properties of wood that do not affect performance or integrity

This warranty is valid only if the product has been assembled and maintained per the instructions. Any modifications made to the original product could damage the structural integrity of the unit, leading to failure and possible injury. Making modifications to this unit voids the warranty. The Little Tikes Company disclaims all other representations and warranties of any kind, express or implied.

**RESIDENTIAL HOME USE ONLY.** This unit is not intended for public use. The manufacturer does not warranty this product if it is used for commercial purposes like daycare, schools, churches, nurseries or parks.

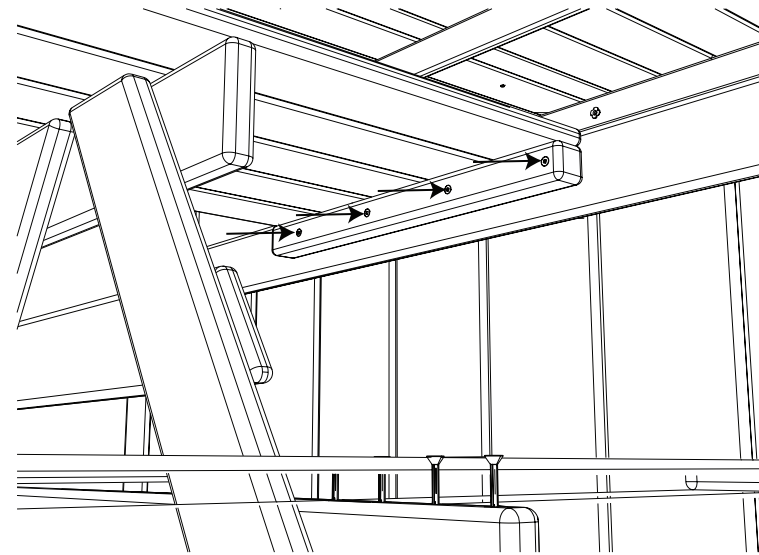
**U.S.A and Canada:** For warranty service or replacement part information, please visit our website at [www.littletikes.com](http://www.littletikes.com), call 1-800-321-0183 or write to: Consumer Service, The Little Tikes Company, 2180 Barlow Road, Hudson OH 44236, U.S.A. Some replacement parts may be available for purchase after warranty expires—contact us for details.

**Outside U.S.A and Canada:** Contact place of purchase for warranty service.

This warranty gives you specific legal rights, and you may also have other rights, which vary from country/state to country/state. Some countries/states do not allow the exclusion or limitation of incidental or consequential damages, so the above limitation or exclusion may not apply to you.

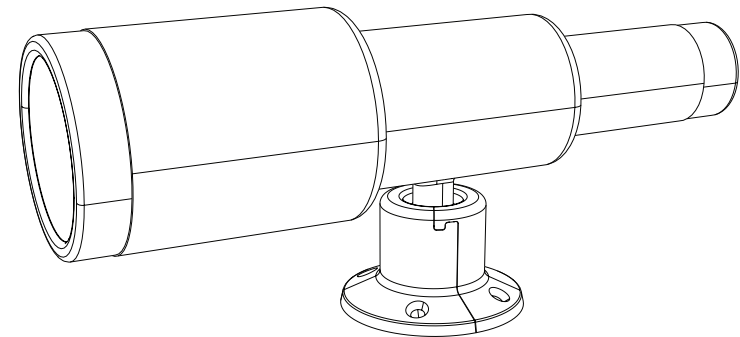
## Step 148:

Secure the Picnic Table to the Rail Board (030) using (4) Screws (S96).



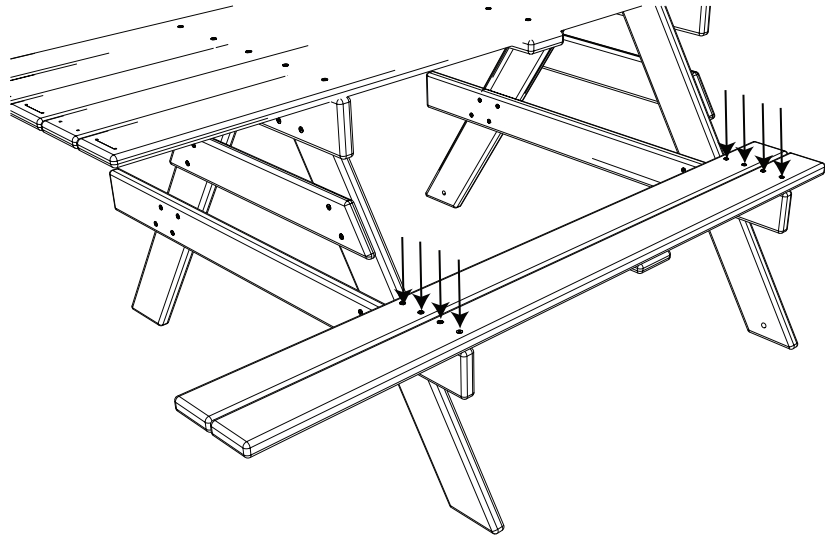
## Step 149:

Secure the (2) Telescope Bases to the Telescope.



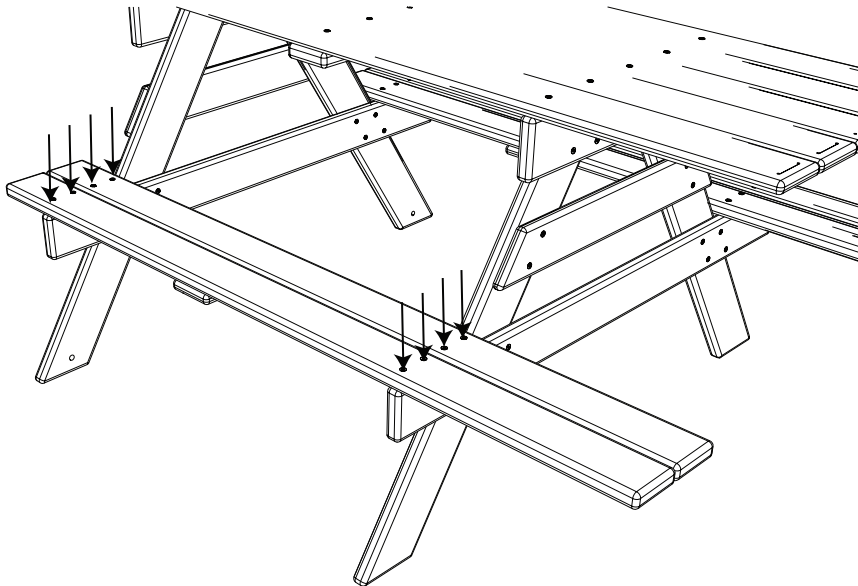
## Step 146:

Align and attach (1) Bench Top Assembly to the Table Supports using (8) Screws (S92).



## Step 147:

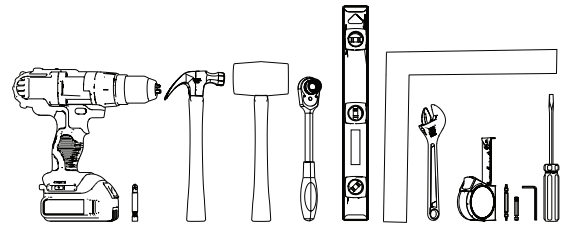
Align and attach (1) Bench Top Assembly to the Table Supports using (8) Screws (S92).



## TOOLS

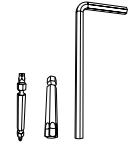
### TOOLS YOU WILL NEED (NOT INCLUDED)

To complete this procedure, you will need a Power Drill, a #2 Phillips Bit, a Hammer, a Rubber Mallet, a Metric Socket Wrench Set, a Level, a Square, an Adjustable Wrench, a Tape Measure, a Ladder (not pictured). Optionally, you may need a Flat-Head Screwdriver and a 3/16in Drill Bit.



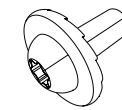
### INCLUDED TOOLS

Double Square Bit (MSC01), Torx Bit (MSC02), and Allen Wrench (MSC03)

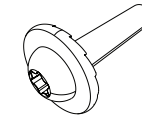


## HARDWARE

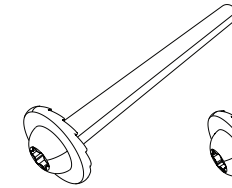
Hardware listed is the quantity needed to build the unit. Extra hardware is included.



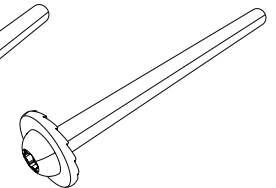
(2) Bolt (B159)



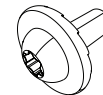
(6) Bolt (B160)



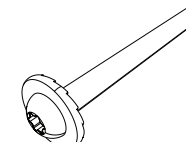
(18) Bolt (B161)



(6) Bolt (B164)



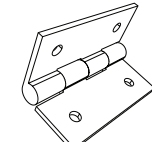
(2) Bolt (B193)



(18) Bolt (B198)



(12) Hinge Screw (HD49)



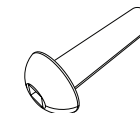
(3) Hinge (HD49)



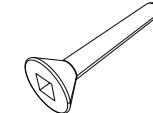
(50) Nut (N02)



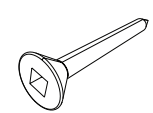
(2) Nut (N21)



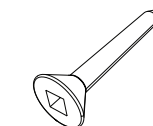
(2) Screw (S80)



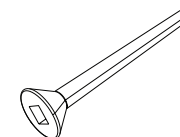
(410) Screw (S91)



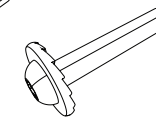
(282) Screw (S92)



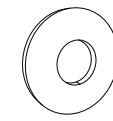
(148) Screw (S95)



(100) Screw (S96)



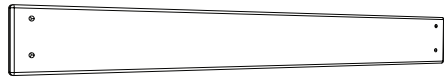
(25) Screw (S119)



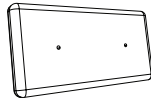
(2) Washer (W07)



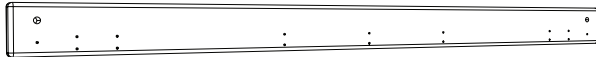
## PARTS LIST



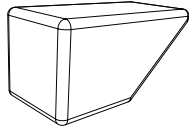
(1) Baseboard - 320004



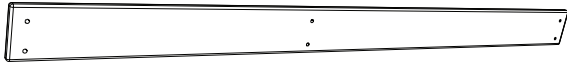
(2) Bench Rib - 320053



(2) Baseboard - 320023



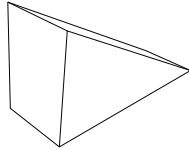
(6) Box Support - 320063



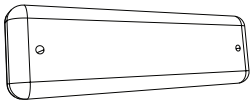
(2) Baseboard - 320057



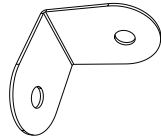
(4) Bench Top Board - 320051



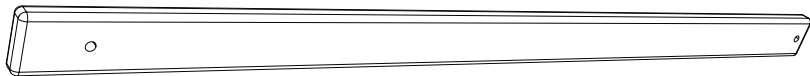
(14) Brace Board - 320025



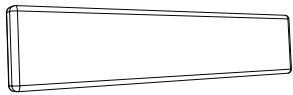
(1) Door Block - 320054



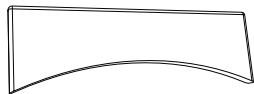
(4) Bracket - HD52



(1) Door Board - 320032



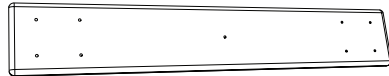
(2) Door Brace - 320033



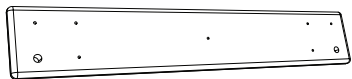
(1) Door Brace - 320034



(5) Door Connect Board - 320058



(1) Door Connect Board - 320059



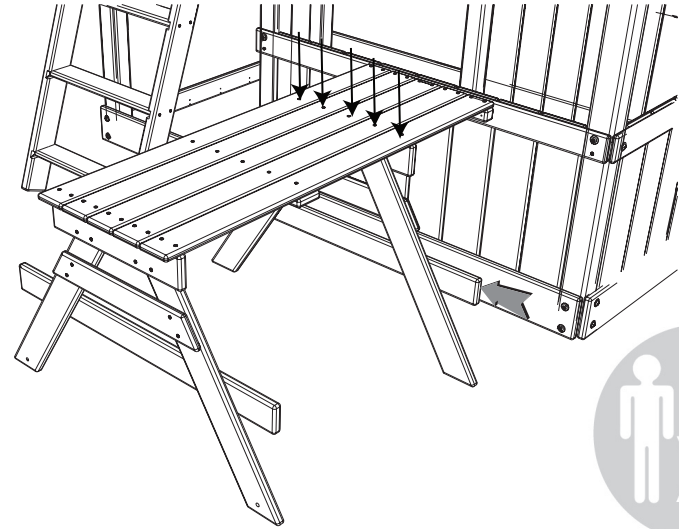
(2) Door Support - 320031



(1) Door Support Board - 320040

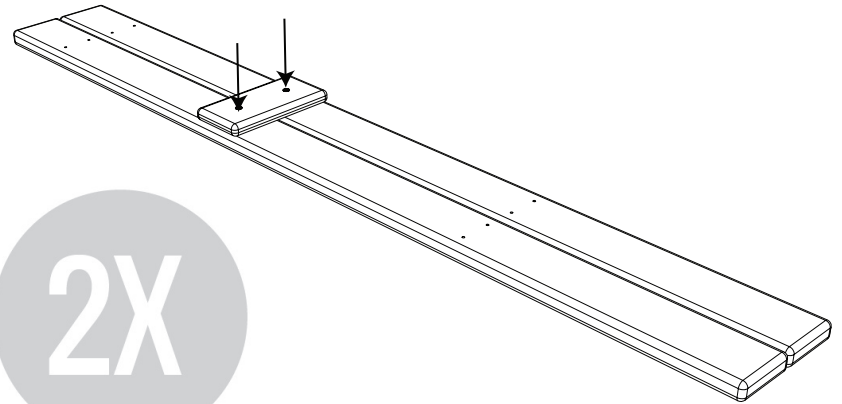
### Step 144:

With the help of another adult, carefully lift the Picnic Table Assembly off the Fort Assembly. Attach the Table Leg (049) Assembly to the Tabletop using (5) Screws (S91). Ensure that the Table Support (050) is facing the Fort Assembly.



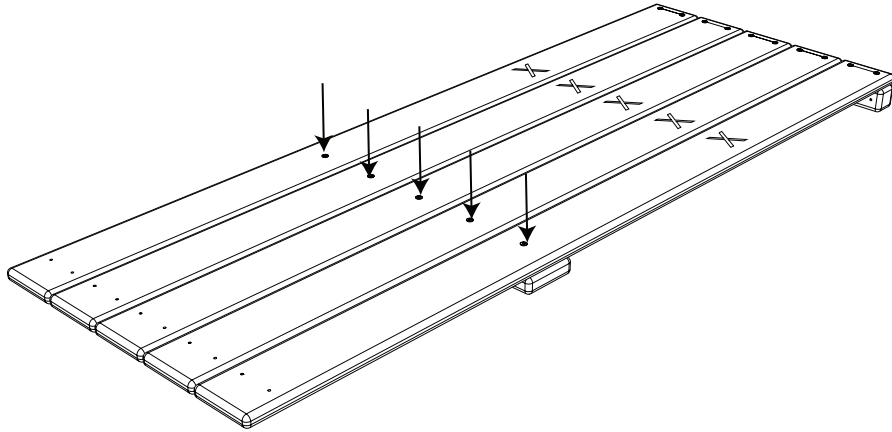
### Step 145:

Align and center (1) Bench Rib (053) between the predrilled holes on (2) Bench Top Boards (051). Attach the Bench Rib (053) to the Bench Top Boards using (2) Screws (S91). Complete this step 2 times for 2 Bench Top Assemblies.



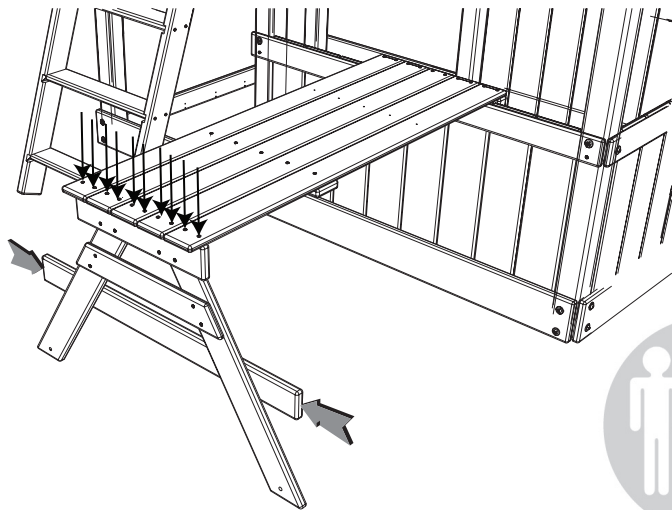
## Step 142:

Attach (1) Table Rib (052) to the Tabletop Assembly using (5) Screws (S91). Ensure that the Table Rib is attached using the predrilled holes further from the previously installed Table Rib Support. Do not use the closest predrilled holes.



## Step 143:

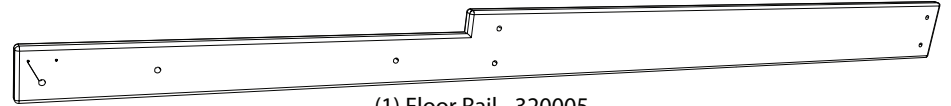
With the help of another adult, place the Tabletop Assembly on the Rail Board (030) for support. Attach the Table Leg (072) Assembly to the Tabletop using (10) Screws (S91). Ensure that the Table Support (050) is facing the inside of the Picnic Table.



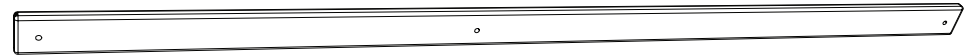
## PARTS LIST CONTINUED



(1) Door Support Board - 320060



(1) Floor Rail - 320005



(2) Floor Rail Support - 320016



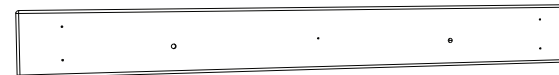
(1) Floor Support - 320037



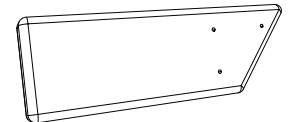
(2) Floorboard - 320013



(3) Floorboard - 320015



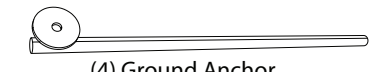
(1) Floorboard - 320020



(6) Front Box Support - 320064



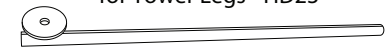
(11) Floorboard - 320011



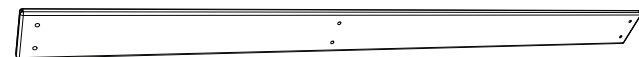
(4) Ground Anchor for Tower Legs - HD23



(2) Floor Rail - 320007

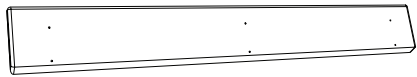


(2) Ground Anchor for Table- HD24

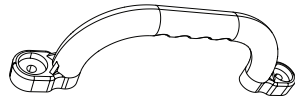


(1) Floor Rail - 320008

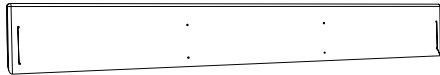
## PARTS LIST CONTINUED



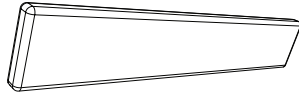
(2) Ground Connect Board - 320012



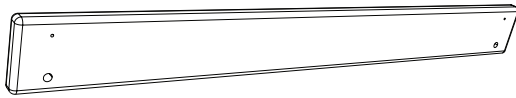
(2) Handle - AC17



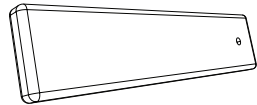
(2) Ground Connect Board - 320024



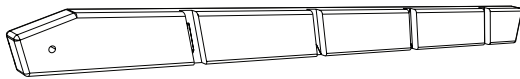
(4) Ladder Rung - 320026



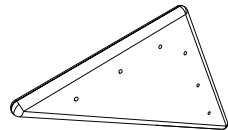
(2) Handrail Board - 320070



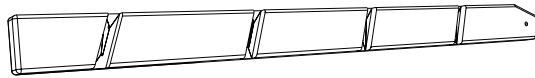
(2) Rail Board - 320021



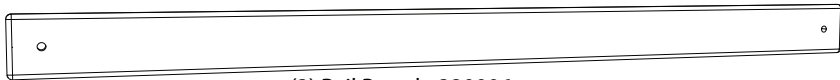
(1) Left Upright - 320027



(2) Roof Support - 320055



(1) Right Upright - 320028



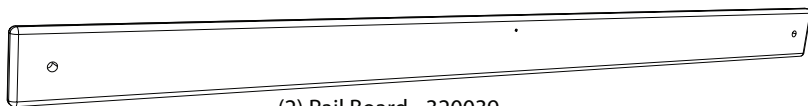
(3) Rail Board - 320006



(2) Rail Board - 320009



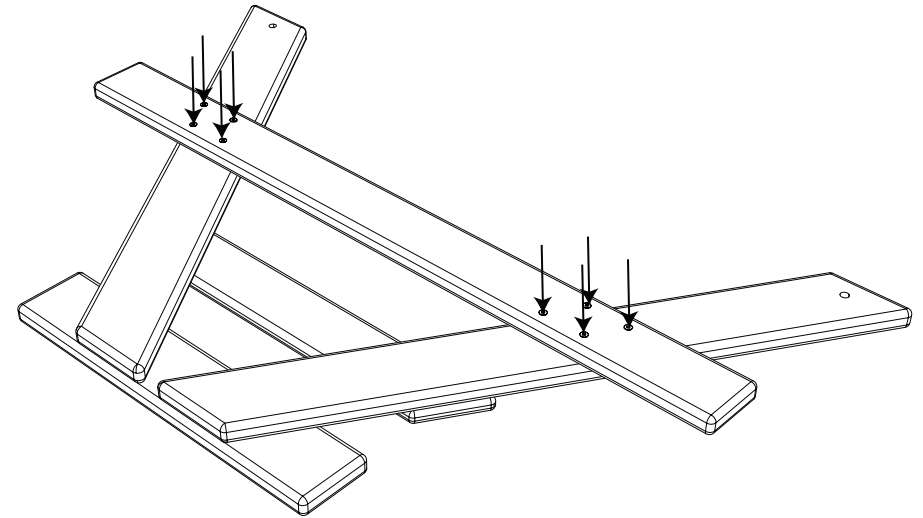
(2) Rail Board - 320030



(2) Rail Board - 320039

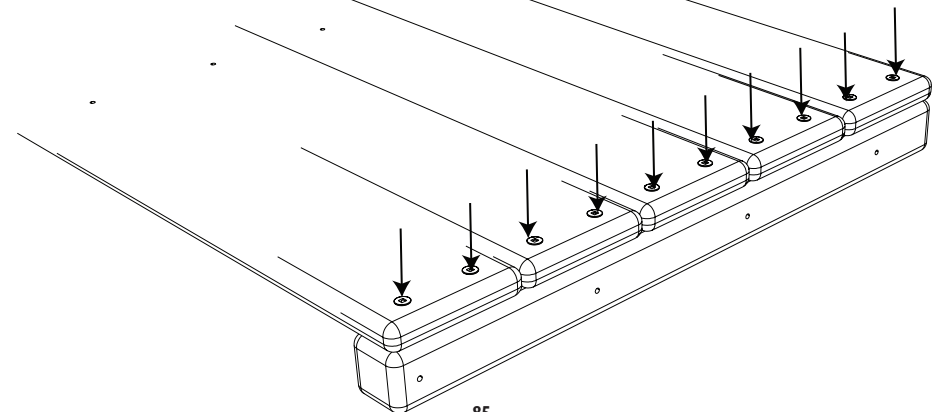
### Step 140:

Using the predrilled holes, align and center (1) Table Support (050) to the Table Legs. Attach the Table Support to the Table Legs using (8) Screws (S92).



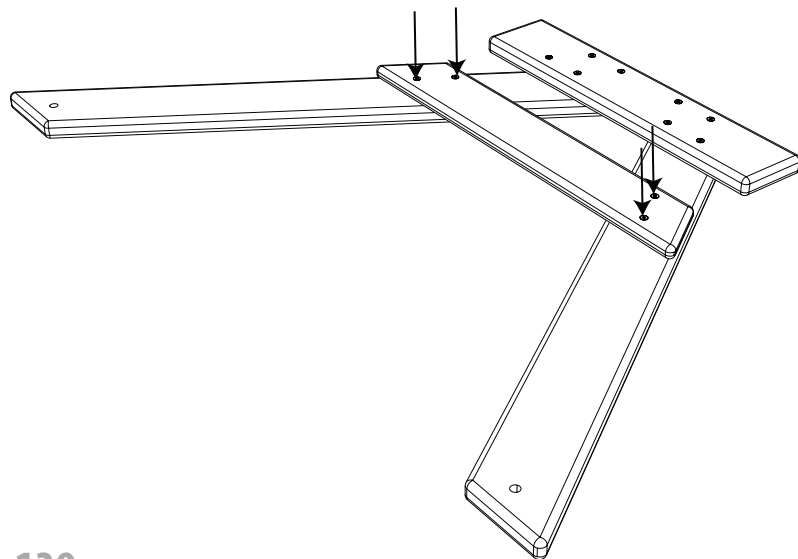
### Step 141:

Attach (1) Table Rib Support (048) to (5) Tabletop Boards (047) using (10) Screws (S91). Ensure that the Table Rib is flush against the edges of the Tabletop Boards and that the (4) predrilled holes in the Table Rib are placed as shown.



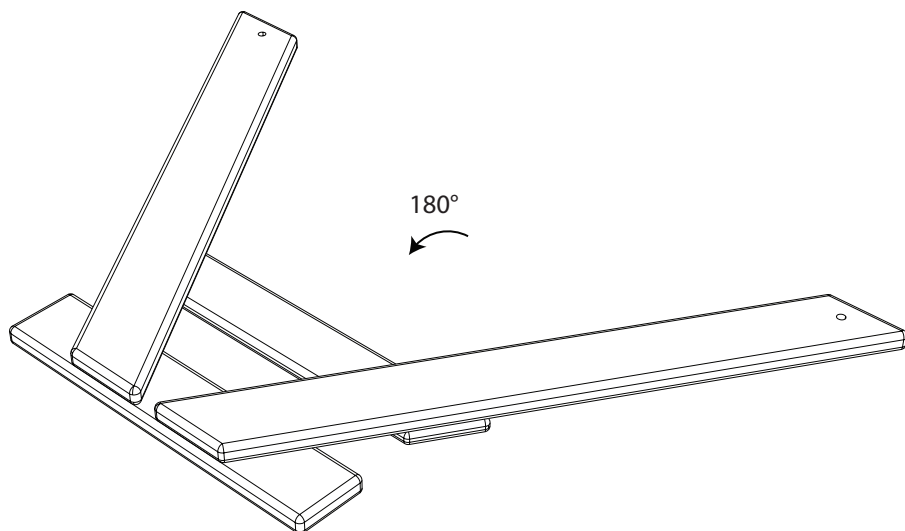
## Step 138:

Lay out (2) Table Legs (072) as shown. Attach (1) Table Support (045) to the Table Legs using (4) Screws (S91). Ensure that the edges of the Table Support are flush with the outside edges of the Table Legs.

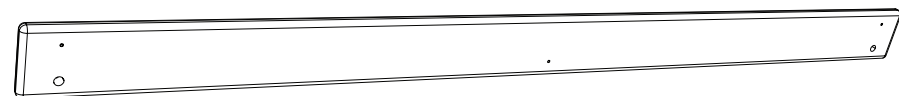


## Step 139:

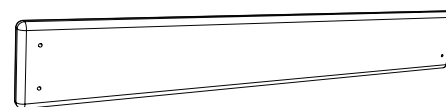
Carefully turn the Table Legs over.



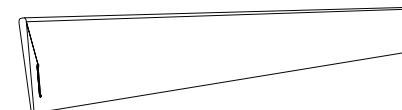
## PARTS LIST CONTINUED



(2) Rail Board - 320056



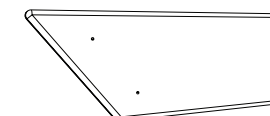
(1) Rear Support - 320029



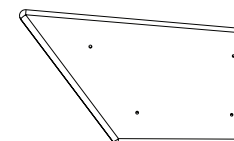
(2) Roof Board - 320036



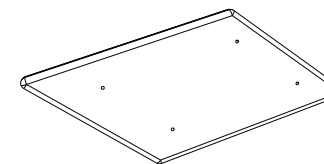
(12) Roof Board - 320038



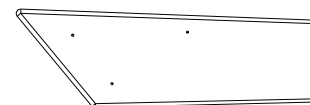
(4) Roof Panel Board - 320041



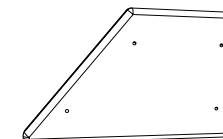
(4) Roof Panel Board - 320042



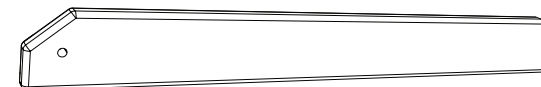
(4) Roof Panel Board - 320043



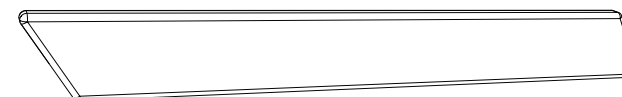
(4) Roof Panel Board - 320044



(4) Roof Panel Board - 320075



(4) Roof Rail Board - 320035

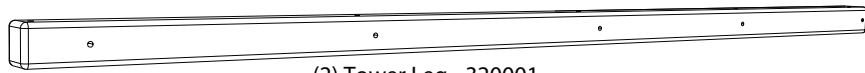


(2) Table Leg - 320049

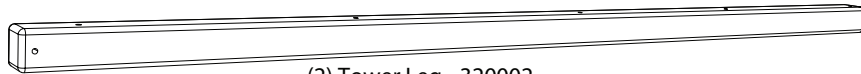


(2) Table Leg - 320072

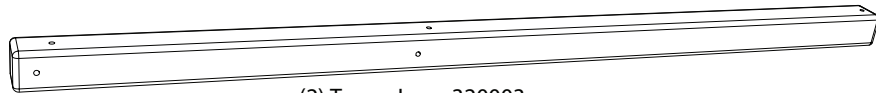
## PARTS LIST CONTINUED



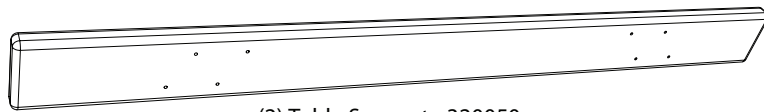
(2) Tower Leg - 320001



(2) Tower Leg - 320002



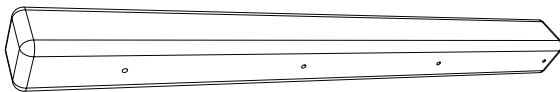
(2) Tower Leg - 320003



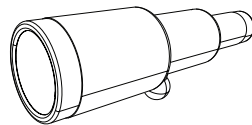
(2) Table Support - 320050



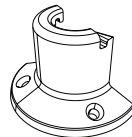
(5) Tabletop Board - 320047



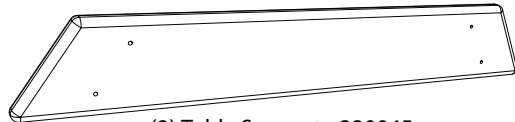
(1) Table Rib Support - 320048



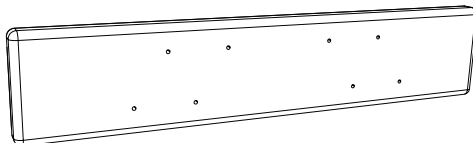
(1) Telescope



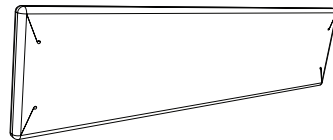
(2) Telescope Base



(2) Table Support - 320045



(2) Table Support - 320046



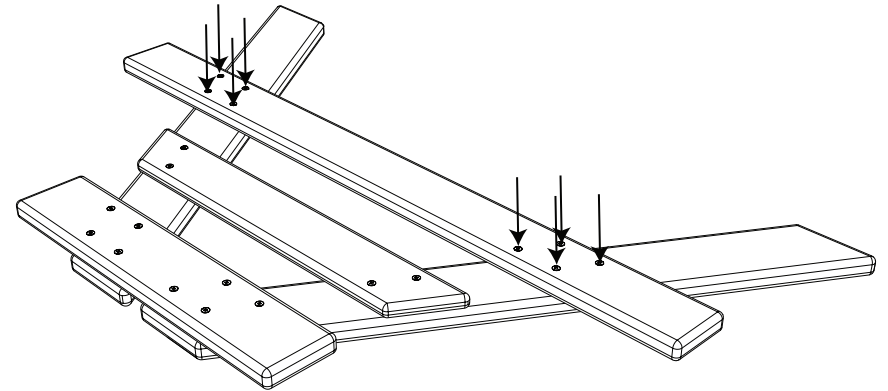
(24) Wall Board - 320010



(1) Table Rib - 320052

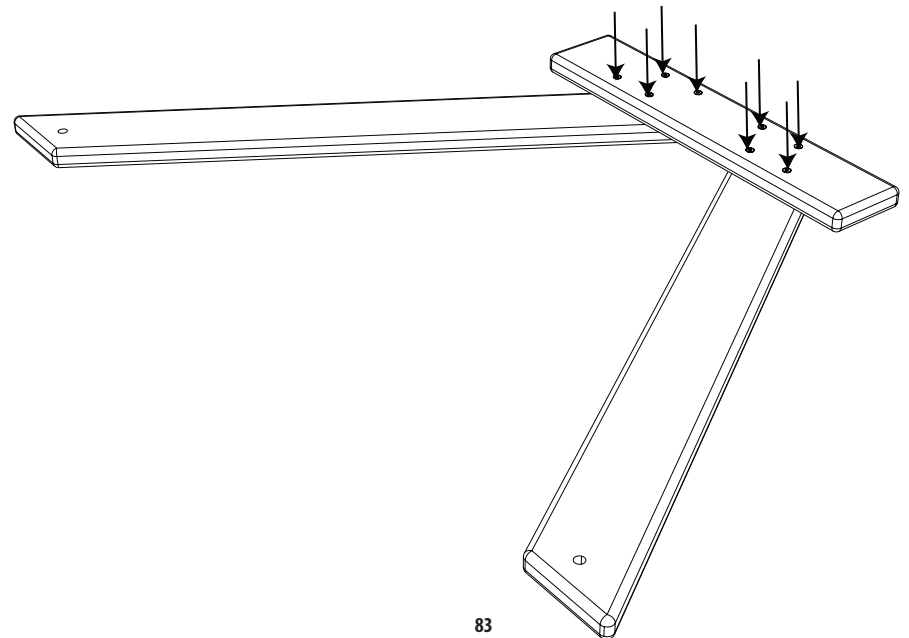
### Step 136:

Using the predrilled holes, align and center (1) Table Support (050) to the Table Legs. Attach the Table Support to the Table Legs using (8) Screws (S92).



### Step 137:

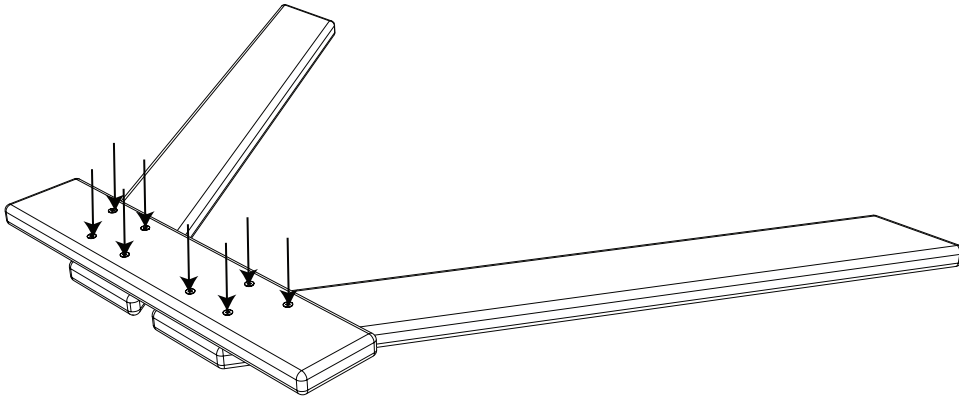
Using the predrilled holes, align and center (1) Table Support (046) to the top edges of the Table Legs. Attach the Table Support to the Table Legs using (8) Screws (S92).





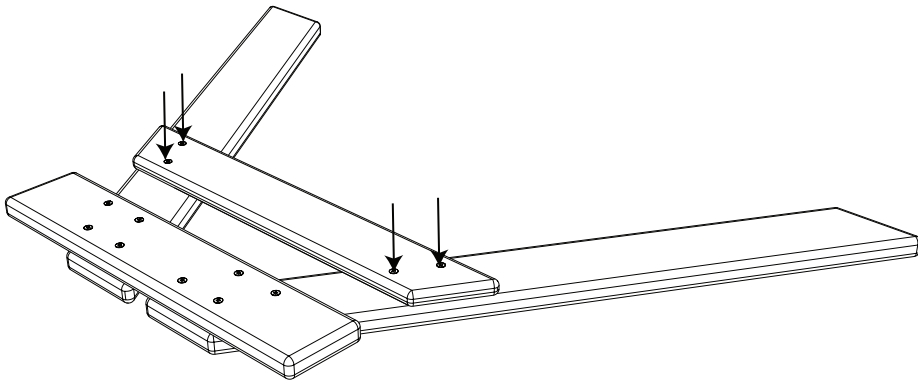
### Step 134:

Using the predrilled holes, align and center (1) Table Support (046) to the top edges of the Table Legs. Attach the Table Support to the Table Legs using (8) Screws (S92).

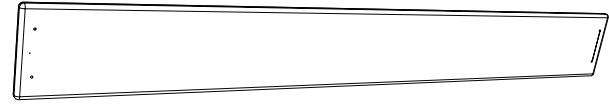


### Step 135:

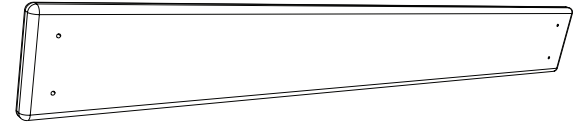
Lay out (2) Table Legs (049) as shown. Attach (1) Table Support (045) to the Table Legs using (4) Screws (S91). Ensure that the edges of the Table Support are flush with the outside edges of the Table Legs.



## PARTS LIST CONTINUED



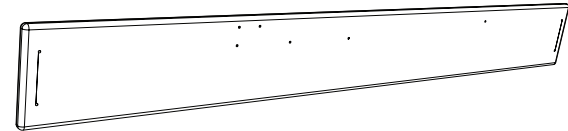
(9) Wall Board - 320017



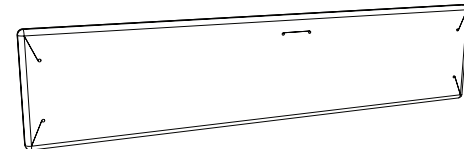
(10) Wall Board - 320022



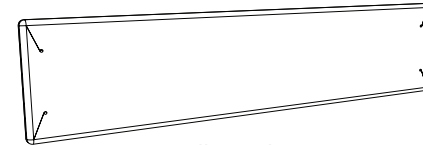
(1) Wall Board - 320061



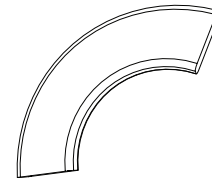
(6) Wall Board - 320067



(6) Wall Board - 320068



(6) Wall Board - 320071



(6) Window Board - 320014

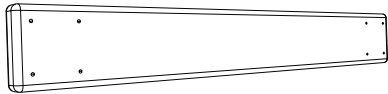
## PARTS LIST CONTINUED



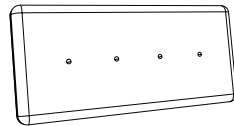
(3) Window Board - 320018



(3) Window Board - 320019



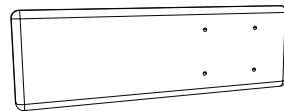
(6) Window Box Board - 320062



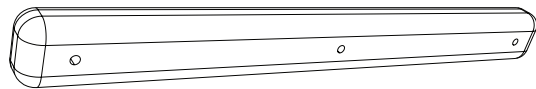
(6) Window Box Board - 320069



(6) Window Box Front - 320065



(6) Window Box Support - 320066



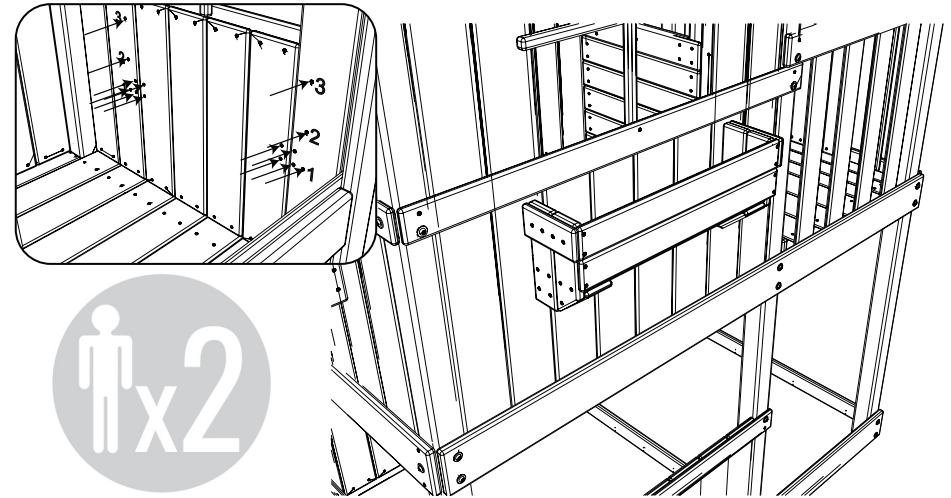
(2) Window Pane - 320073



(2) Window Pane - 320074

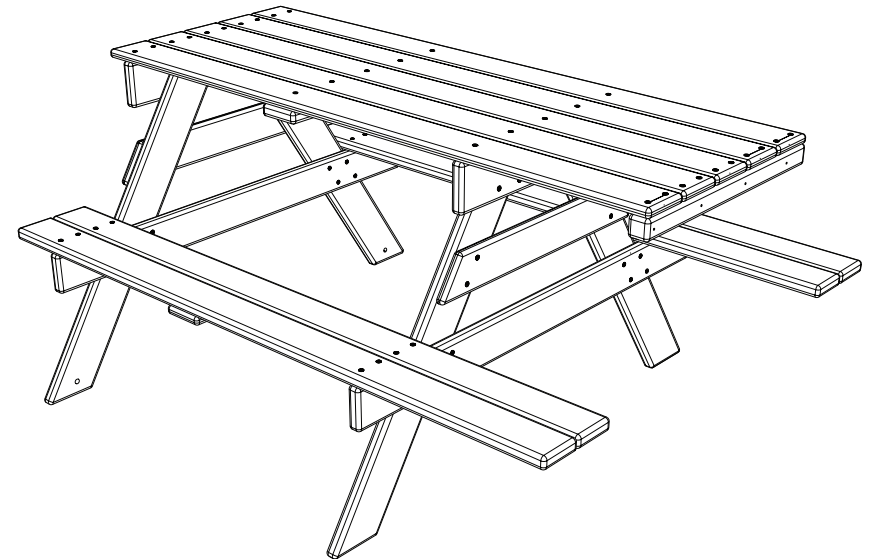
### Step 132:

Align and attach (1) Window Box Assembly with the predrilled holes on the Wall Boards using (14) Screws (S92).



### Step 133:

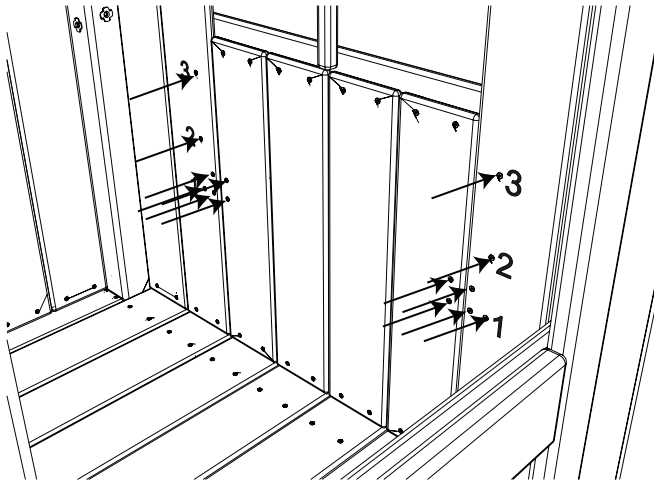
The following steps will guide you through the Picnic Table Assembly.



## Step 130:

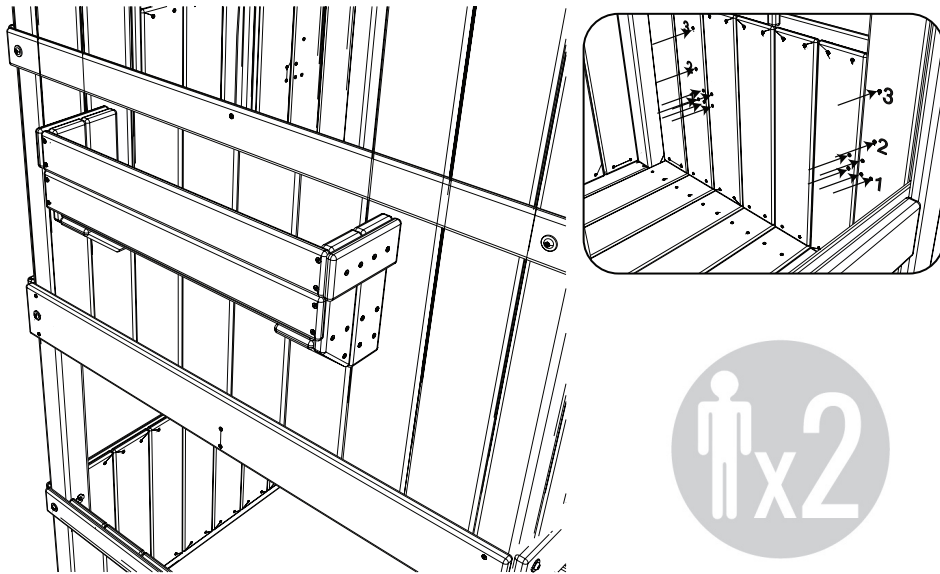
With the help of another adult, attach (1) Window Box Assembly to the Wall Boards using (14) Screws (S92).

Note: To securely attach the Window Box Assembly, firmly press the Window Box against the Wall Boards. Start with the bottom outside Screws, then move up, and finally secure with the remaining (8) Screws. Ensure that the Screws do not bite into the Wall Boards.



## Step 131:

Align and attach (1) Window Box Assembly with the predrilled holes on the Wall Boards using (14) Screws (S92).



## ASSEMBLY INSTRUCTIONS



### Step 1:

This procedure will assist you with assembling the Two Story House.

### Step 2:

To complete this procedure, you will need a Power Drill, a #2 Phillips Bit, a Hammer, a Rubber Mallet, a Metric Socket Wrench Set, a Level, a Square, an Adjustable Wrench, a Tape Measure, a Ladder, and the included Double Square Bit (MSC01), Torx Bit (MSC02), and Allen Wrench (MSC03). Optionally, you may need a Flat-Head Screwdriver and a 3/16in Drill Bit.

### Step 3:

This Unit is intended for children 3-10 years of age.

Maximum Weight: 110lbs (50kg) per child.

Maximum Occupancy: 4.

Note: Prior to assembly, this package contains small parts: hardware which is a choking hazard and may contain sharp edges and sharp points. Keep away from children until assembled. Do not allow children to play on this Unit until assembly is complete and the Unit is properly anchored.

### Step 4:

The obstacle-free safety zone extends 6ft or 2m out from the Unit and at least 12ft (3.7m) in front and back of to-fro swings from any obstruction such as a garage or house, fences, poles, trees, sidewalks, walls, landscape timbers, rocks, pavement, planters, garden borders, overhanging branches, laundry lines, and electrical wires. Note: Locate bare metal Platforms and Slides out of direct sunlight to reduce the likelihood of serious burns. A Slide that faces north will receive the least direct sunlight.

### Step 5:

Maximum critical fall height for this Unit is 6ft (2m). Place this Unit on level ground with protective surfacing applied to a depth that is suitable for the equipment height. Check and maintain the depth of the loose-fill surfacing material by marking the correct level on play equipment support posts. This will allow you to easily see when to replenish and/or redistribute the surfacing. Refer to the Important Safety Instructions for additional information.

Note: Do not install loose-fill surfacing over hard surfaces such as concrete, asphalt, or any other hard surface. A fall onto a hard surface can result in serious injury to the equipment user.

### WARNING

#### CONTINUOUS ADULT SUPERVISION REQUIRED!

**SERIOUS HEAD INJURY HAZARD**  
MAINTAIN SHOCK ABSORBING MATERIAL UNDER AND AROUND PLAY-SET AS RECOMMENDED IN THE INSTALLATION & OPERATING INSTRUCTIONS. INSTALLATION OVER CONCRETE, ASPHALT, DIRT, GRASS, CARPET AND OTHER HARD SURFACES CREATES A RISK OF SERIOUS INJURY OR DEATH FROM FALLS TO THE GROUND.

**STRANGULATION HAZARDS**  
NEVER ALLOW CHILDREN TO PLAY WITH ROPES, CLOTHESLINES, PET LEASHES, CABLES, CHAINS OR CORD-LIKE ITEMS WHEN USING THIS PLAY-SET OR TO ATTACH THESE ITEMS TO PLAY-SET.

NEVER ALLOW CHILDREN TO WEAR LOOSE FITTING CLOTHING, PONCHOS, HOODS, SCARVES, CAPES, NECKLACES, OR ITEMS WITH DRAW-STRINGS, CORDS OR TIES WHEN USING THIS PLAY-SET.

NEVER ALLOW CHILDREN TO WEAR BIKE OR SPORT HELMETS WHEN USING THIS PLAY-SET.

FAILURE TO PROHIBIT THESE ITEMS INCREASES THE RISK OF SERIOUS INJURY AND DEATH TO CHILDREN FROM ENTANGLEMENT AND STRANGULATION.

FOR CHILDREN 3 TO 10 YEARS OF AGE, MAXIMUM NUMBER OF USERS, INSTALLATION & OPERATING INSTRUCTIONS: OTHER INFORMATION IS AVAILABLE AT:

**www.littletikes.com**  
Little Tikes Consumer Service  
2180 Barkow Road,  
Hudson, Ohio 44236 U.S.A.  
1-800-321-0183

Tracking Number:

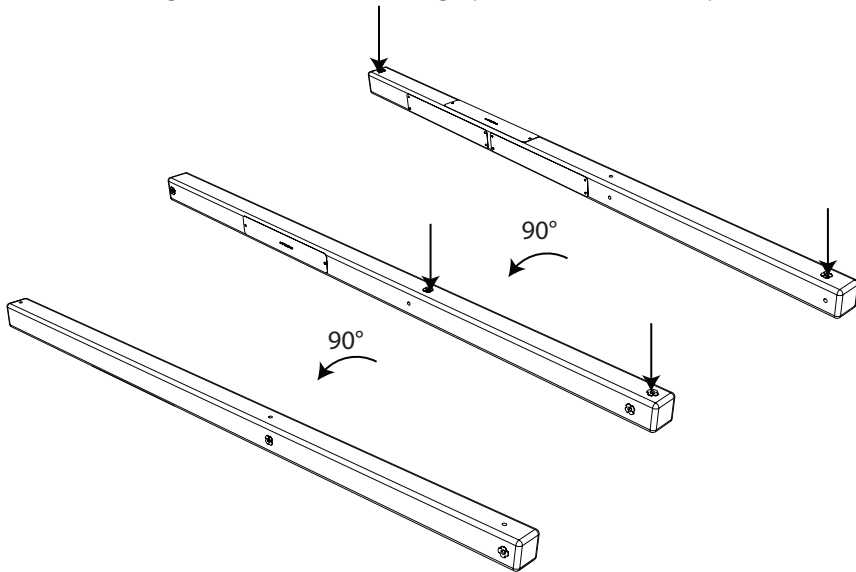
## Step 6:

The following steps will guide you through the Fort Assembly.



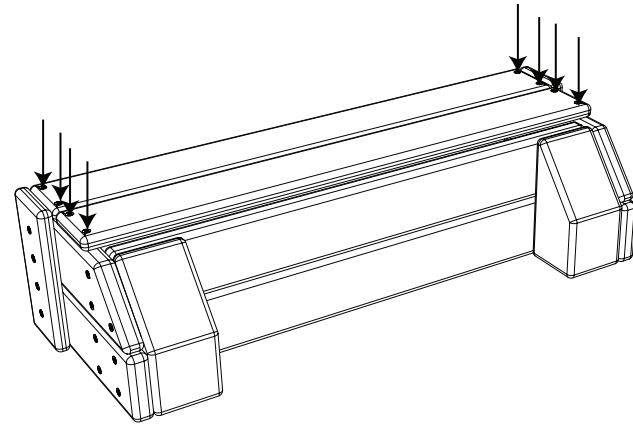
## Step 7:

Insert (4) Nuts (N02) into Tower Leg (003) with the metal warning plates as shown. Orient the Tower Leg with the (3) holes facing up for use in a later step.



## Step 128:

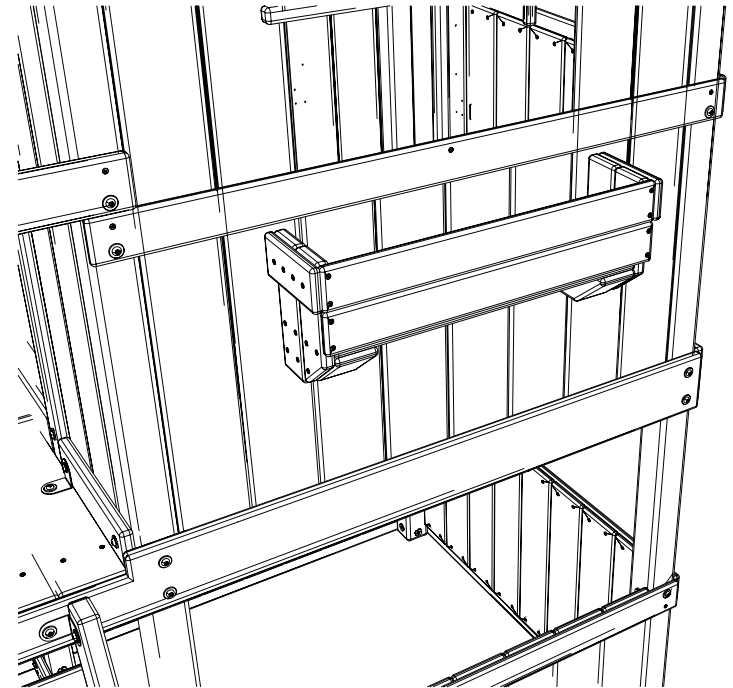
Attach (2) Window Box Fronts (065) to the Front Box Supports using (8) Screws (S91). Complete this step 3 times.



3X

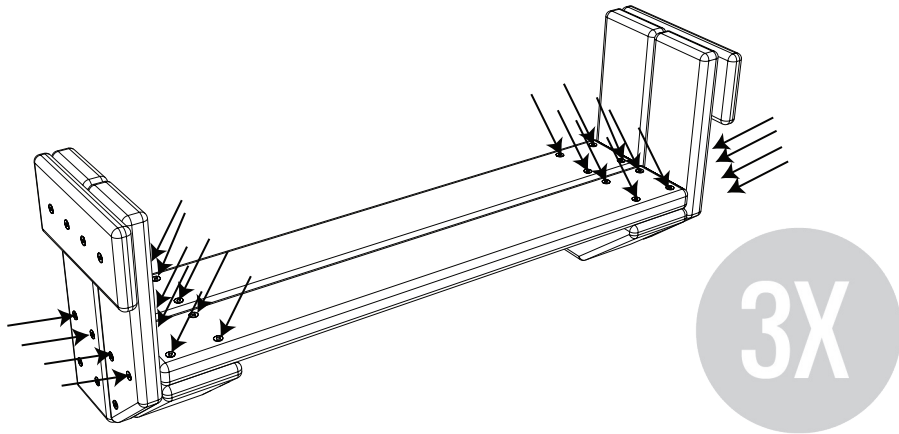
## Step 129:

Align (1) Window Box Assembly with the predrilled holes on the Wall Boards (067).



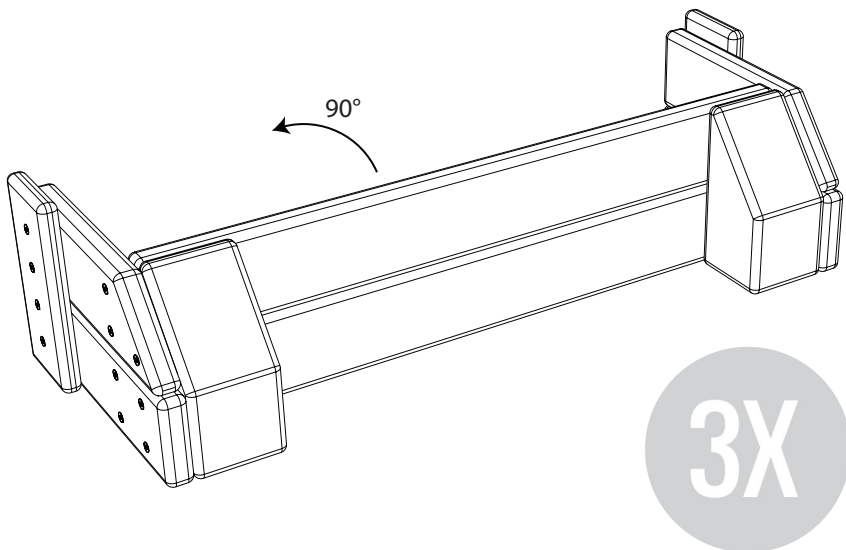
### Step 126:

Attach (2) Window Box Boards (062) to the Box Supports using (16) Screws (S92). Secure the Window Box Boards using (8) Screws (S96). Complete this step 3 times for 3 sets of Window Box Supports.



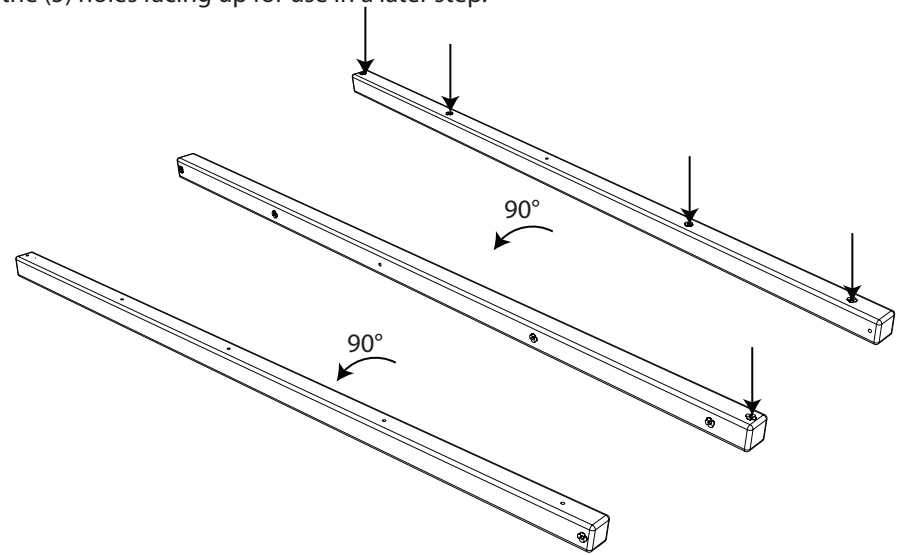
### Step 127:

Carefully rotate the Window Box onto its back. Complete this step 3 times.



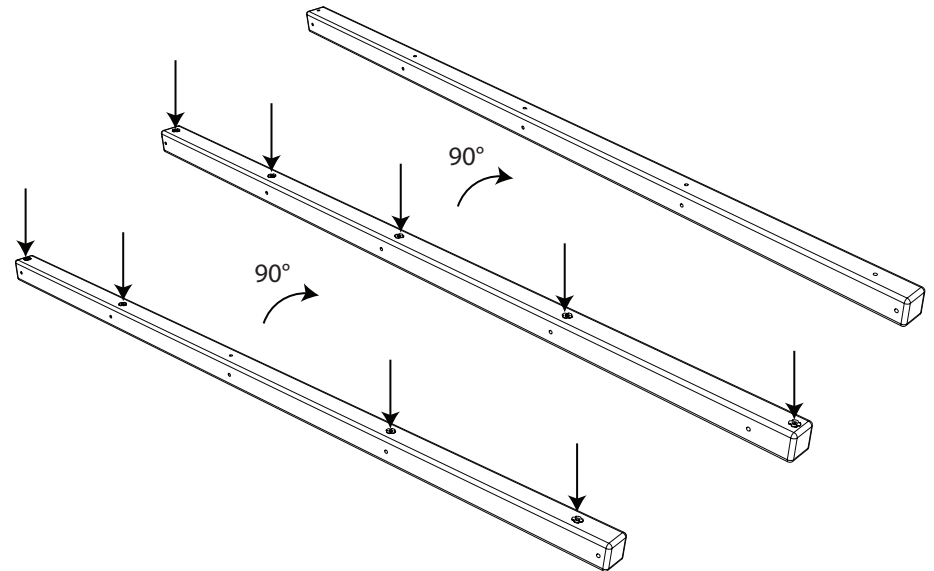
### Step 8:

Insert (5) Nuts (N02) into (1) Tower Leg (002) as shown. Orient the Tower Leg with the (5) holes facing up for use in a later step.



### Step 9:

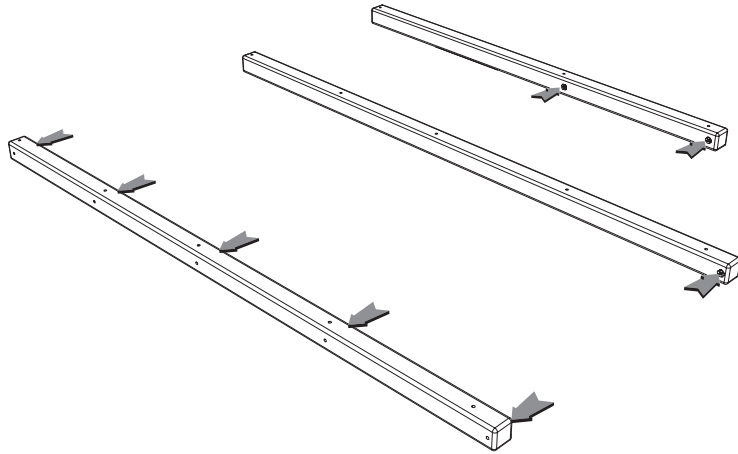
Insert (9) Nuts (N02) into (1) Tower Leg (001) as shown. Orient the Tower Leg with the (4) Nuts on the ground for use in a later step.





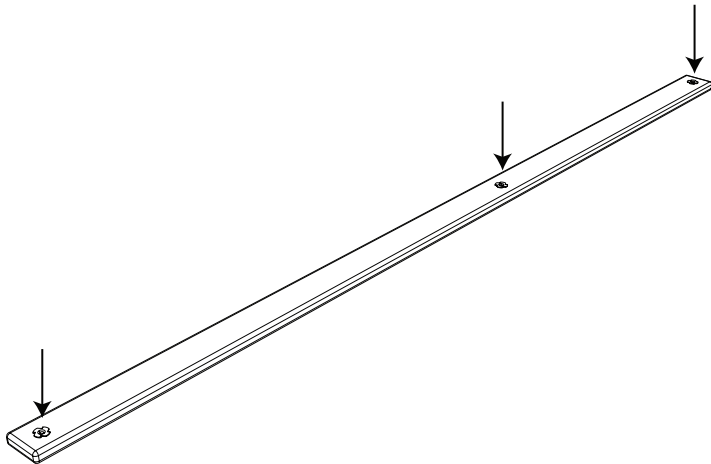
### Step 10:

Lay out Tower Legs (001), (002), and (003) as shown. Note the orientation of the Nuts on each Tower Leg.



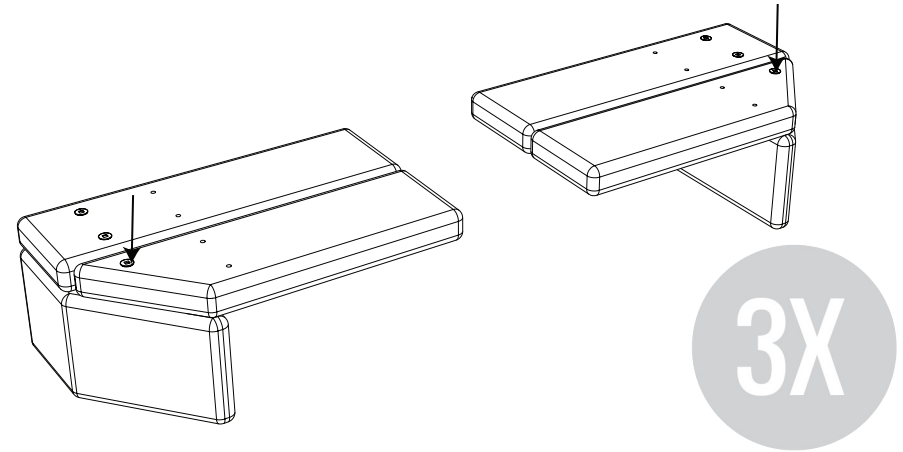
### Step 11:

Insert (3) Nuts (N02) into (1) Floor Rail Support (016).



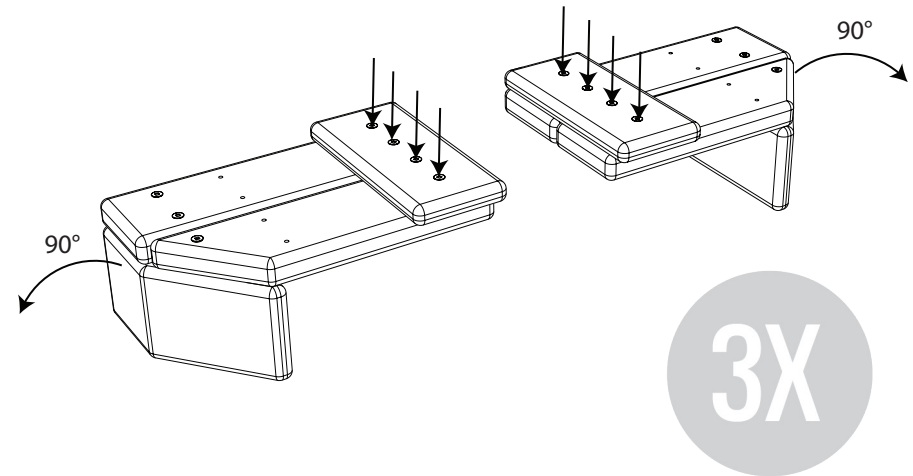
### Step 124:

Attach (1) Front Box Support (064) to the Box Support using (1) Screw (S96). Ensure that the top edges of the Front Box Supports are flush against the top edges of the Window Box Supports. Complete this step 3 times for 3 sets of Window Box Supports.



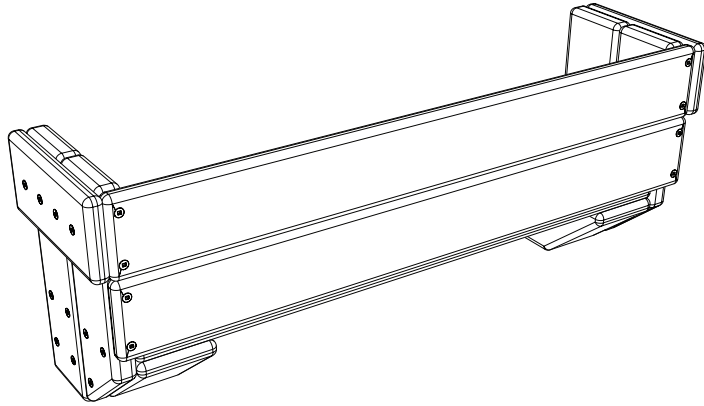
### Step 125:

Attach (1) Window Box Board (069) to each Assembly using (4) Screws (S91). Ensure that the top and back edges of the Window Box Boards are flush with the Window Box Supports (066). Carefully rotate the Window Side Supports upright. Complete this step 3 times for 3 sets of Window Box Supports.



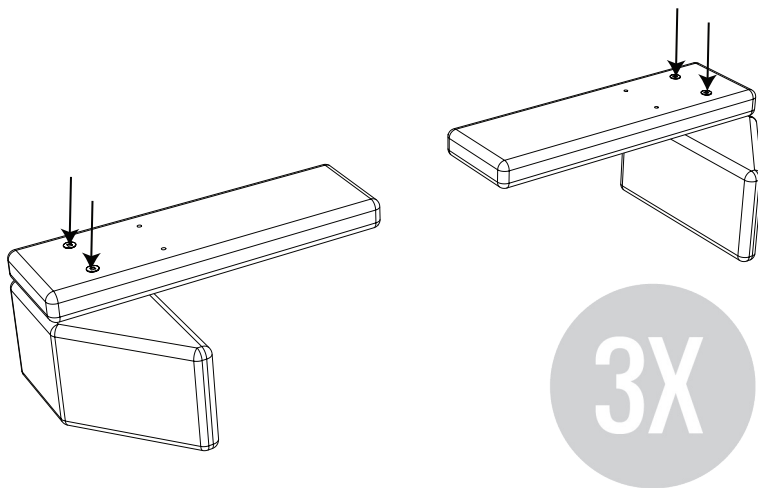
## Step 122:

The following steps will guide you through the Window Box Assembly.



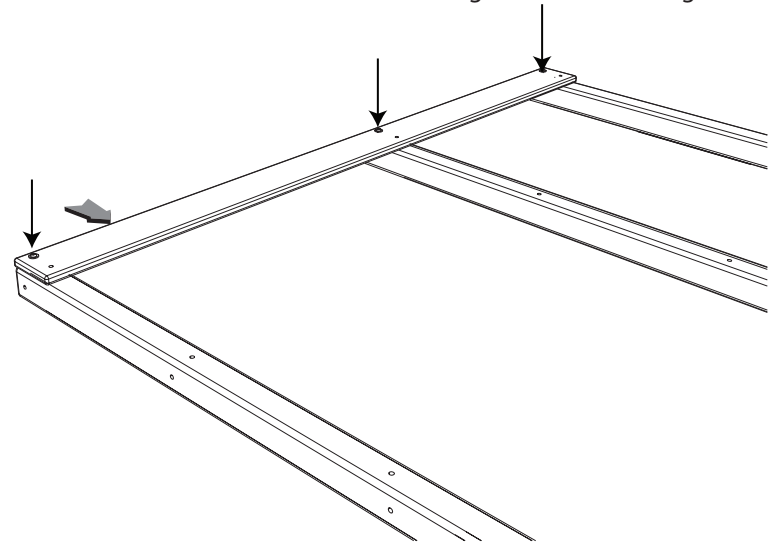
## Step 123:

Attach (1) Window Box Support (066) to each Box Support (063) using (2) Screws (S96). Ensure that the bottom and side edges of the Window Box Supports are flush with the edges of the Box Supports. Note the orientation of the Box Supports. Complete this step 3 times to create 3 sets of Window Box Supports.



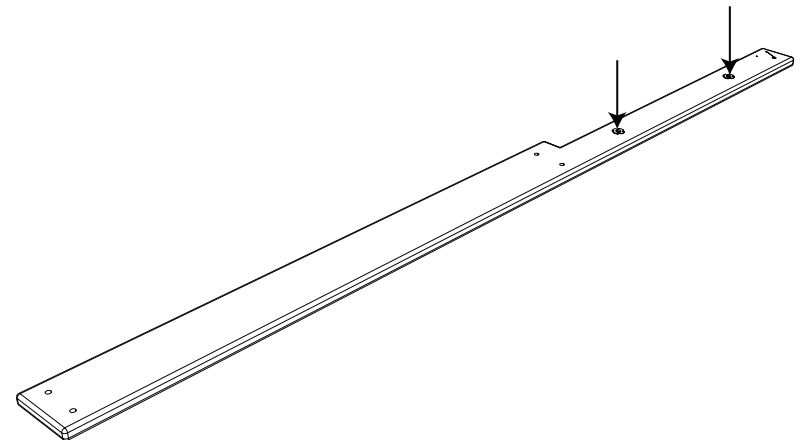
## Step 12:

Attach (1) Baseboard (057) to Tower Legs (001), (002), and (003) using (3) Bolts (B161). Ensure that the Baseboard is flush with the edges of the Tower Legs.



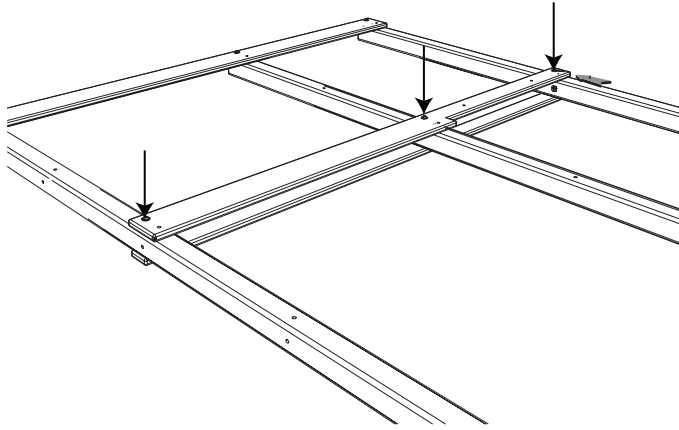
## Step 13:

Insert (2) Nuts (N02) into (1) Floor Rail (005) as shown.



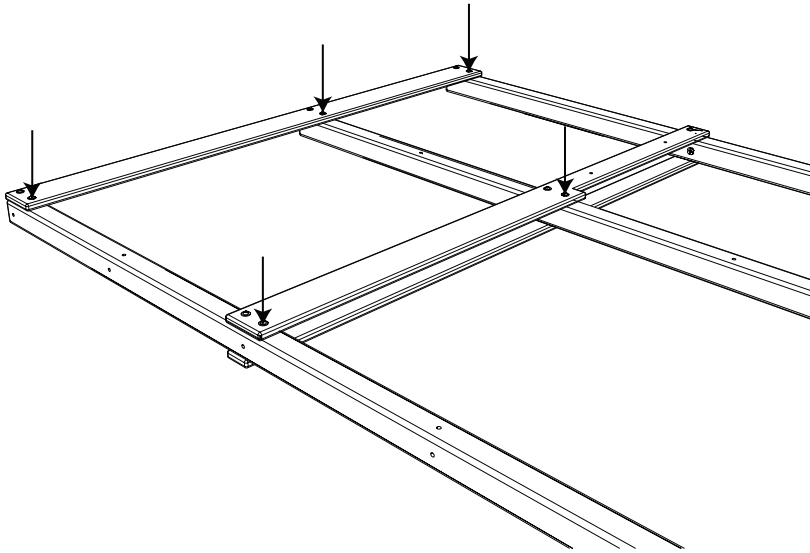
## Step 14:

Attach (1) Floor Rail (005) and (1) Floor Rail Support (016) to Tower Legs (001), (002), and (003) using (3) Bolts (B164). Note the orientation of the previously installed Nuts on the Floor Rail and Floor Rail Support. Ensure that the Floor Rail is attached with the Bolts toward the Baseboard (057).



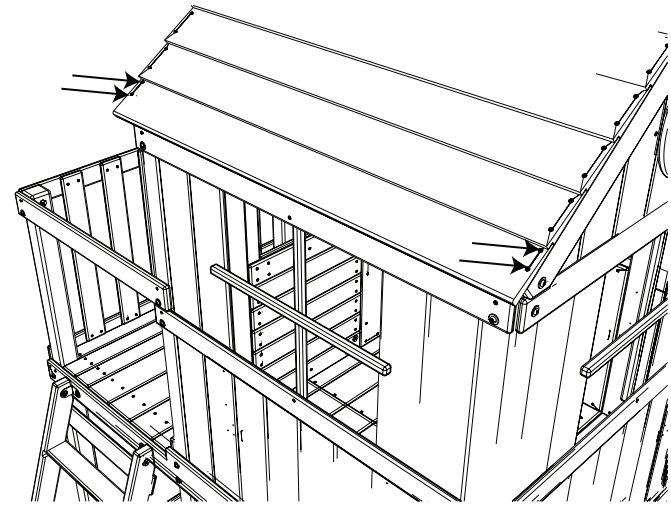
## Step 15:

Secure the Floor Rail and Baseboard to the Tower Legs using (5) Screws (S119).



## Step 120:

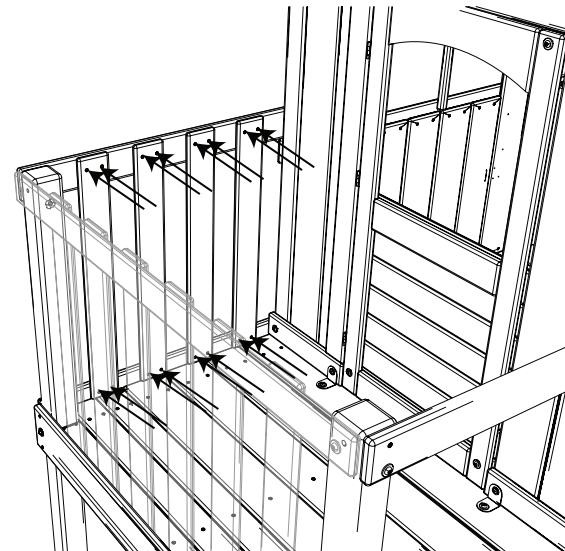
Attach (1) Roof Board (036) to the Roof Rail Boards using (4) Screws (S91).



## Step 121:

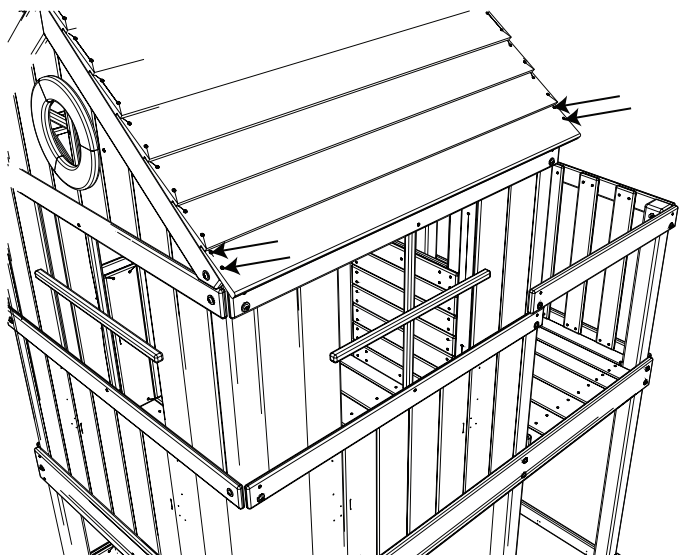
Evenly space and attach (4) Wall Boards (022) to the Handrail Board (070) and Floor Rail (008) using (16) Screws (S91).

**WARNING:** To avoid head or torso entrapment, the Wall Boards should never be placed between 3 1/2in to 9in (8.75cm to 22.75cm) apart. To avoid finger entrapment, the Wall Boards should never be positioned 1/2in (1.25cm) or closer. Even spacing of the Wall Boards will minimize these concerns.



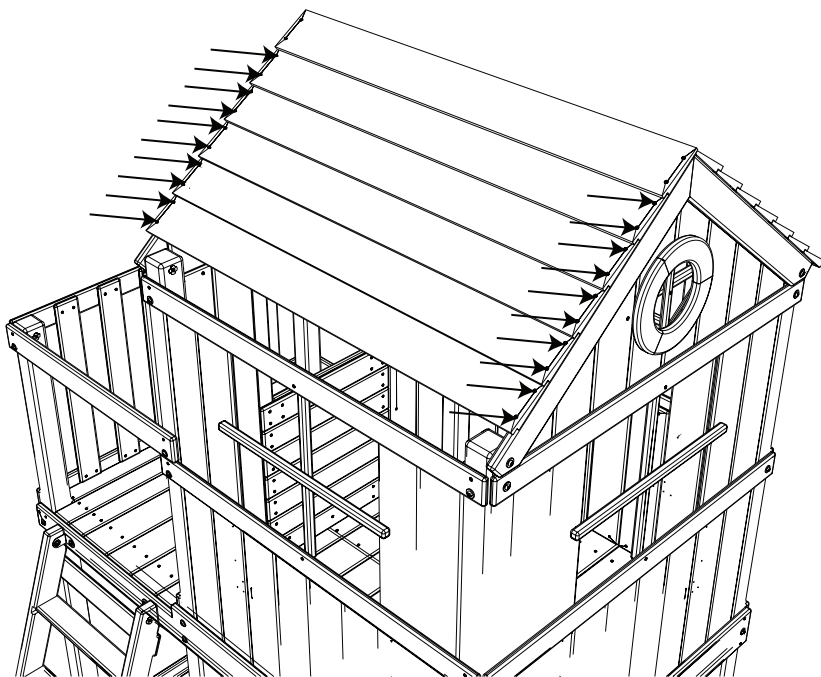
### Step 118:

Align and attach (1) Roof Board (036) to the Roof Rail Boards using (4) Screws (S91).



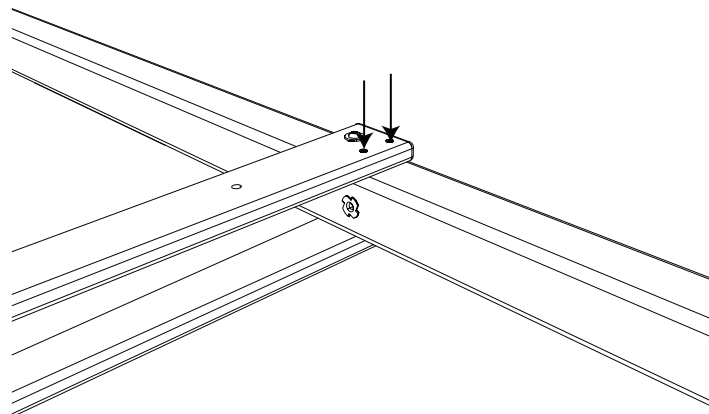
### Step 119:

Align and attach (5) Roof Boards (038) to the Roof Rail Boards using (20) Screws (S91).



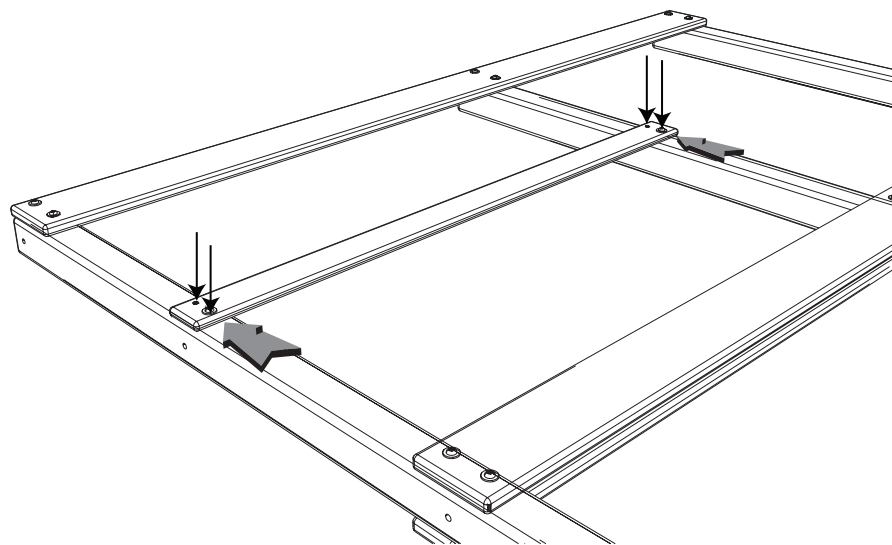
### Step 16:

Secure the Floor Rail to the Tower Leg (003) using (2) Screws (S96).



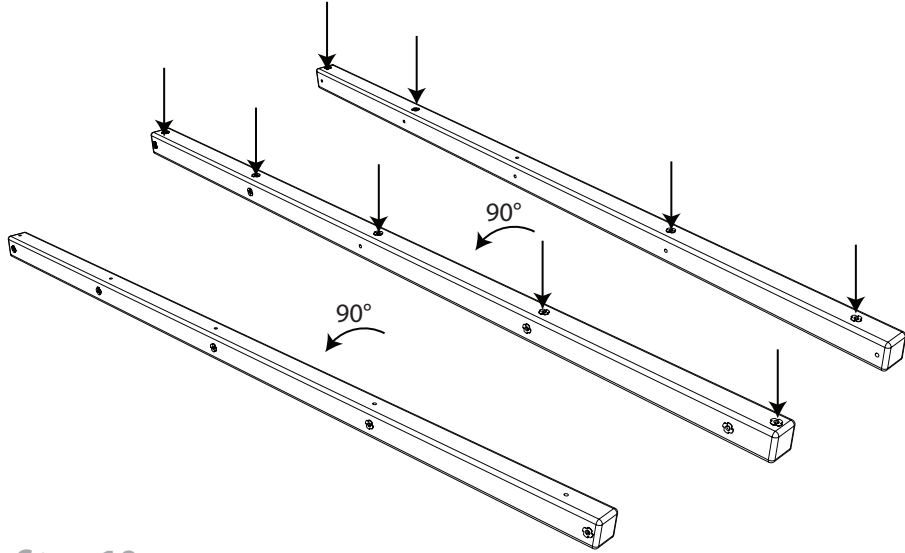
### Step 17:

Attach (1) Rail Board (030) to Tower Legs (001) and (002) using (2) Bolts (B198) and (2) Screws (S96). Ensure that the Rail Board is attached with the Bolts toward the Floor Rail (005).



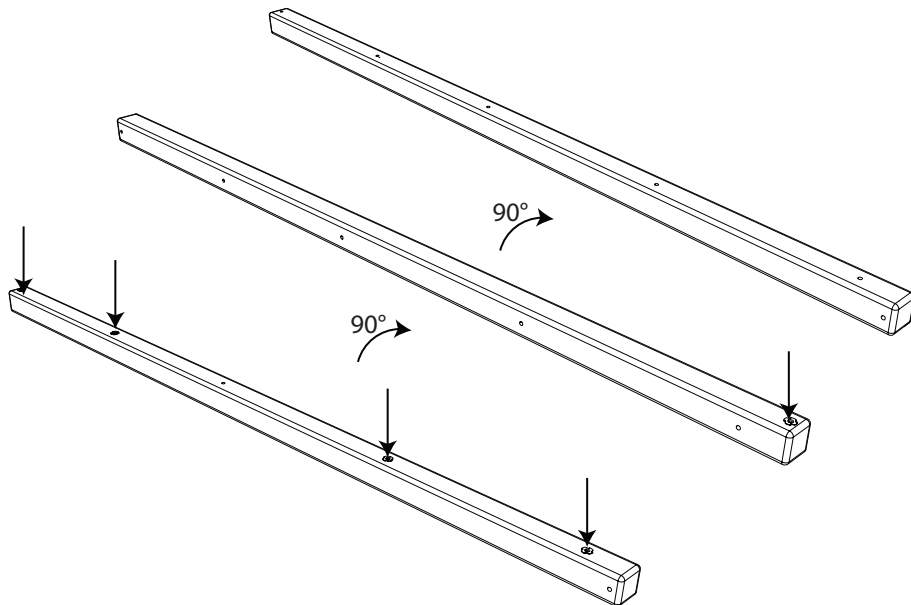
### Step 18:

Insert (9) Nuts (N02) into (1) Tower Leg (001) as shown. Orient the Tower Leg with the (4) Nuts on the ground for use in a later step.



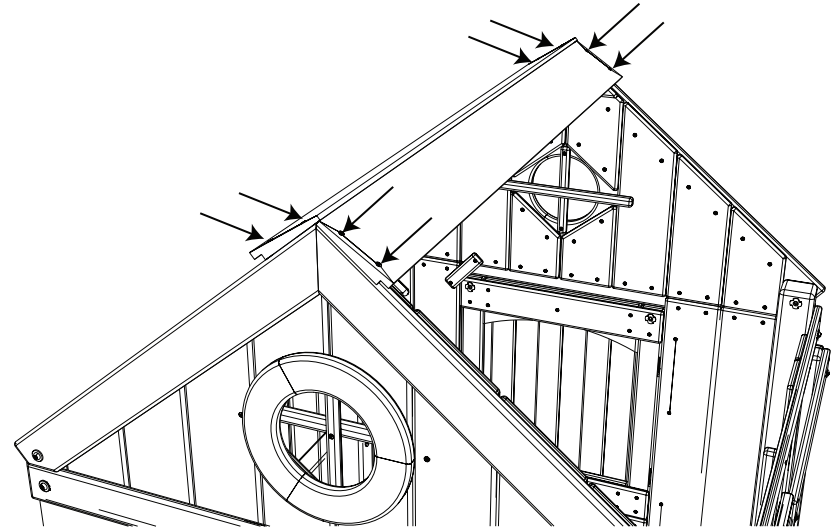
### Step 19:

Insert (5) Nuts (N02) into (1) Tower Leg (002) as shown. Orient the Tower Leg with the (5) holes facing up for use in a later step.



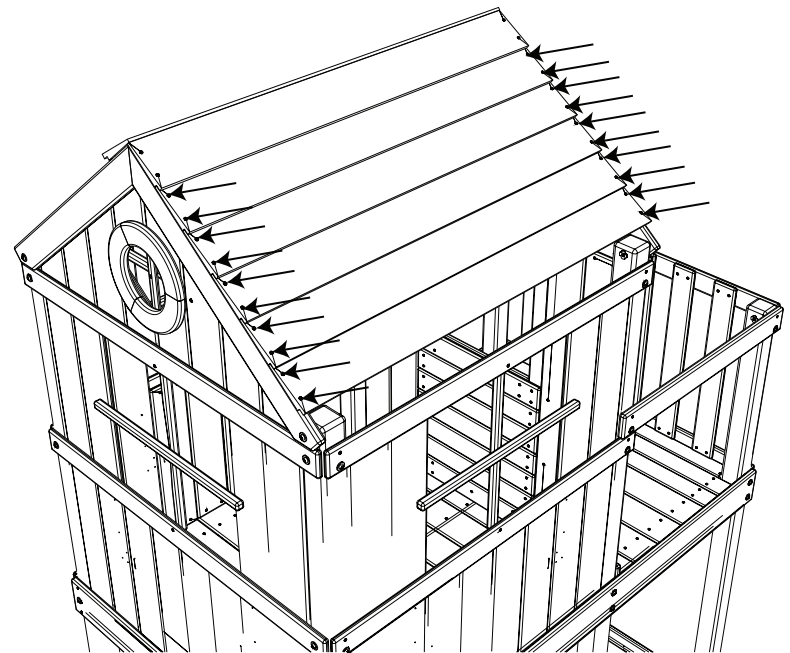
### Step 116:

Align (1) Roof Board (038) with the Roof Rail Boards (035) ensuring the top edges are flush. Attach using (4) Screws (S91). Align (1) Roof Board (038) to the top edge of the previously installed Roof Board and attach using (4) Screws (S91).



### Step 117:

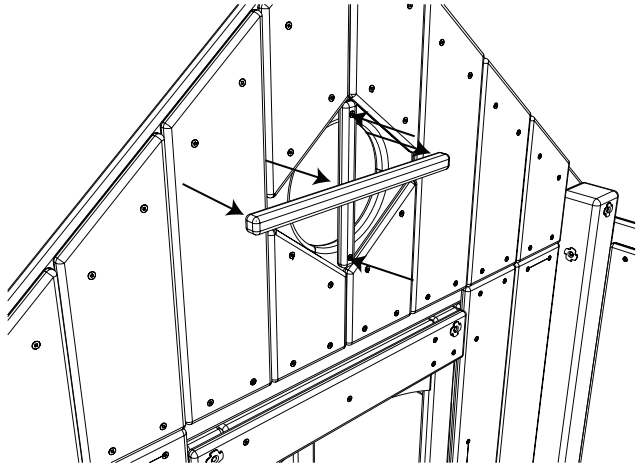
Align and attach (5) Roof Boards (038) to the Roof Rail Boards using (20) Screws (S91).





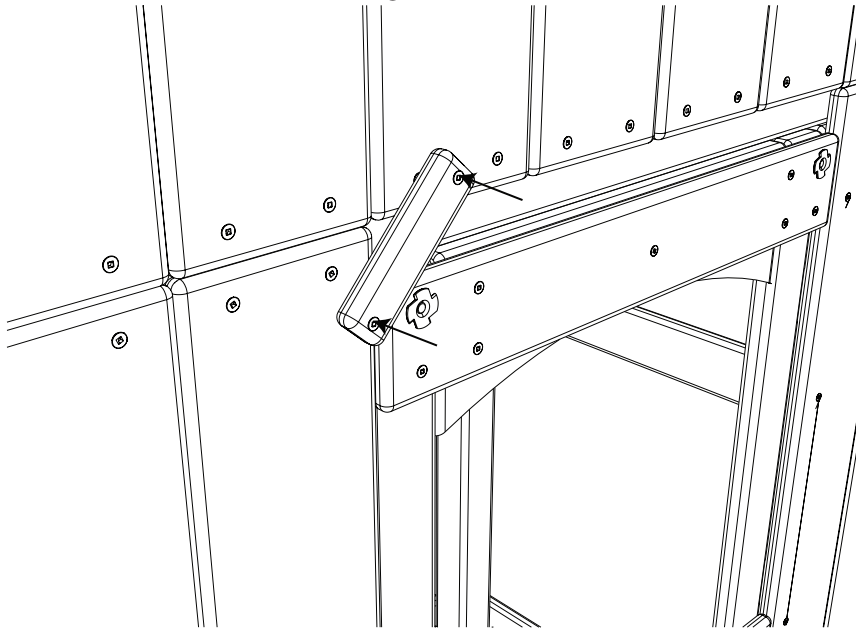
### Step 114:

Attach (1) Window Pane (073) to Window Boards (014) using (2) Screws (S91).  
Attach (1) Window Pane (074) to the Roof Panel Boards (044) using (2) Screws (S91).  
Secure the Window Panes (073) and (074) to each other using (1) Screw (S91).



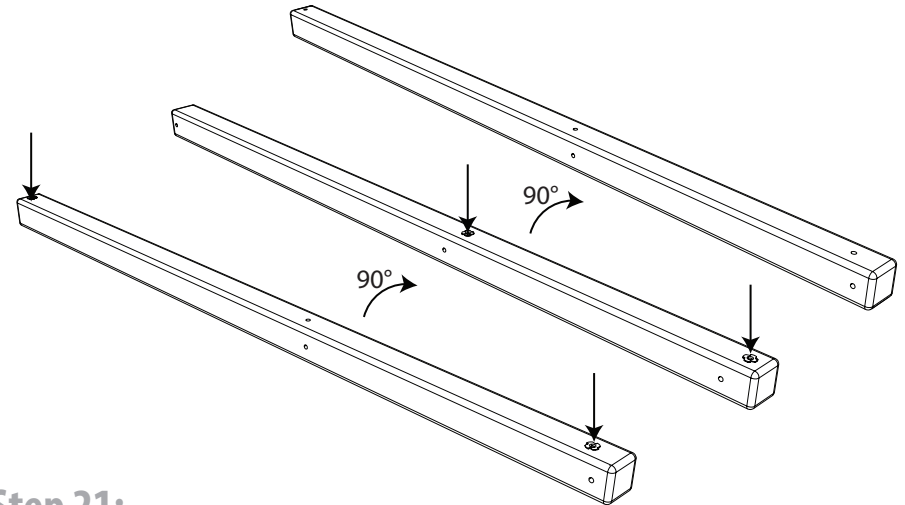
### Step 115:

Attach (1) Door Block (054) to Roof Panel Board (044) and Wall Board (017) using (2) Screws (S91). Ensure the Door Block is placed in front of the Door. This Block is to ensure that the Door will not swing inward.



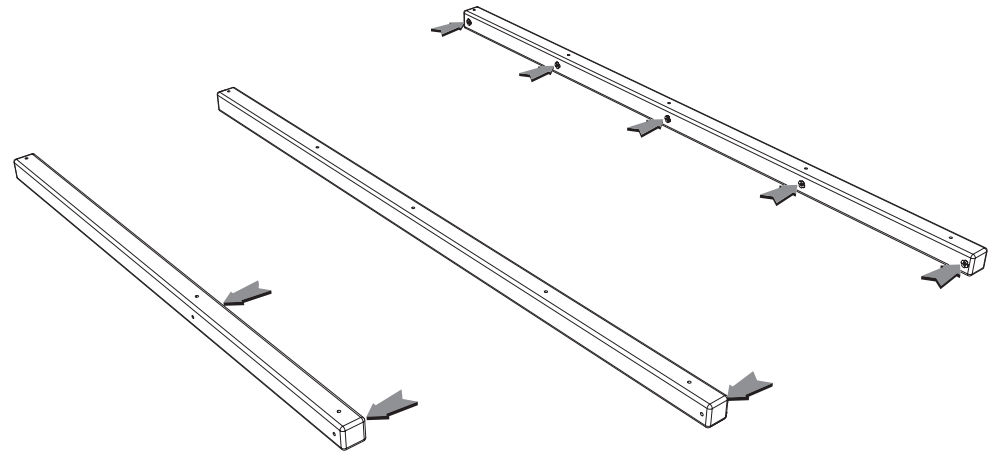
### Step 20:

Insert (4) Nuts (N02) into (1) Tower Leg (003) as shown. Orient the Tower Leg with the (3) holes facing up for use in a later step.



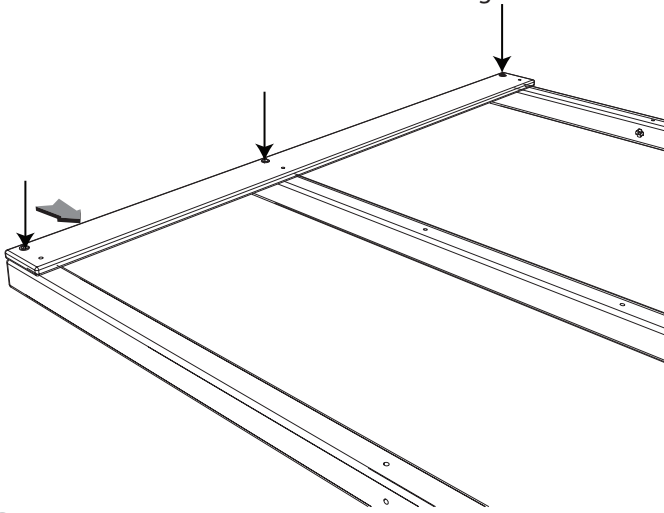
### Step 21:

Lay out Tower Legs (003), (002), and (001) as shown. Note the orientation of the Nuts on each Tower Leg.



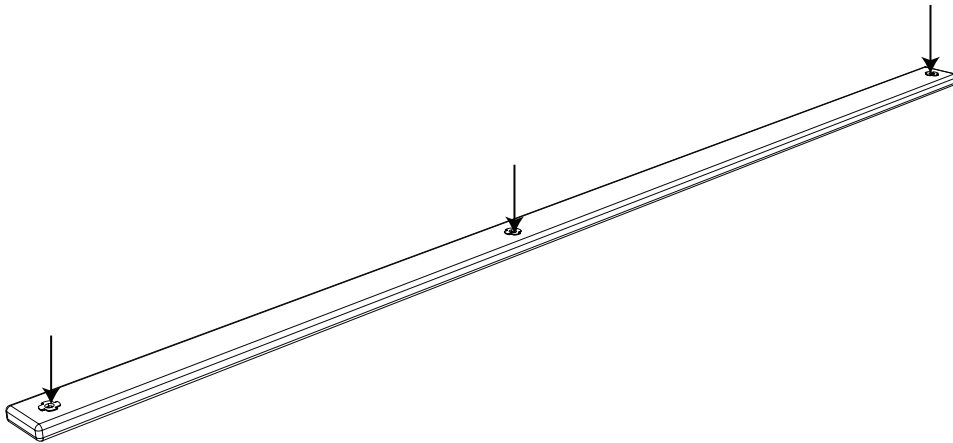
### Step 22:

Attach (1) Baseboard (057) to Tower Legs (003), (002), and (001) using (3) Bolts (B161). Ensure that the Baseboard is flush with the edges of the Tower Legs.



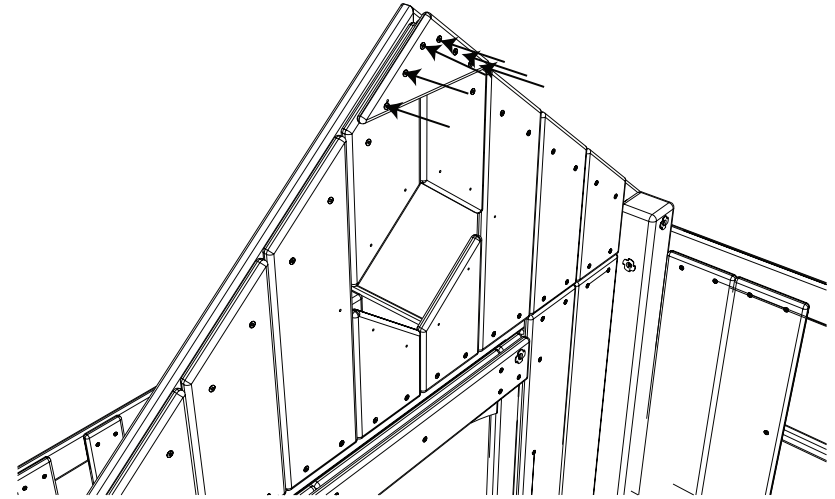
### Step 23:

Insert (3) Nuts (N02) into (1) Floor Rail Support (016).



### Step 112:

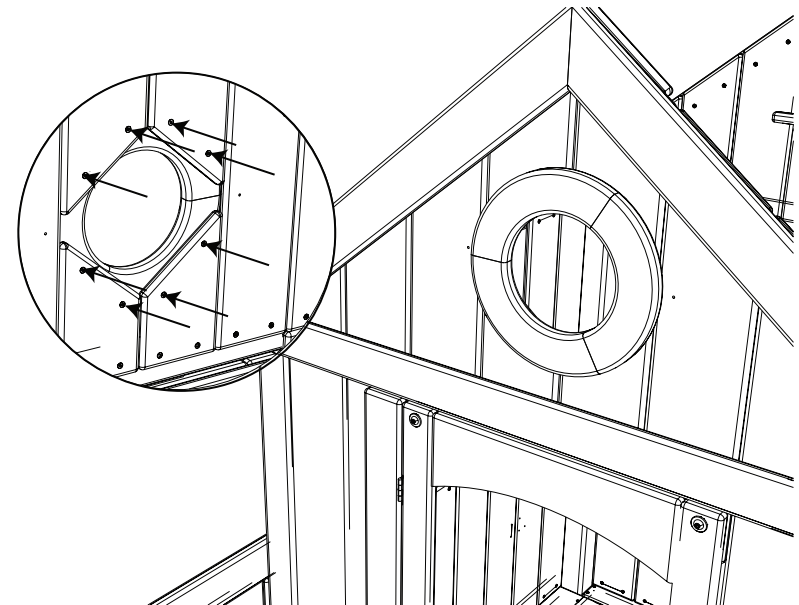
Attach (1) Roof Support (055) to the Roof Panel Boards (043) using (6) Screws (S91). Ensure that the top edges are flush with the Roof Rail Boards.



### Step 113:

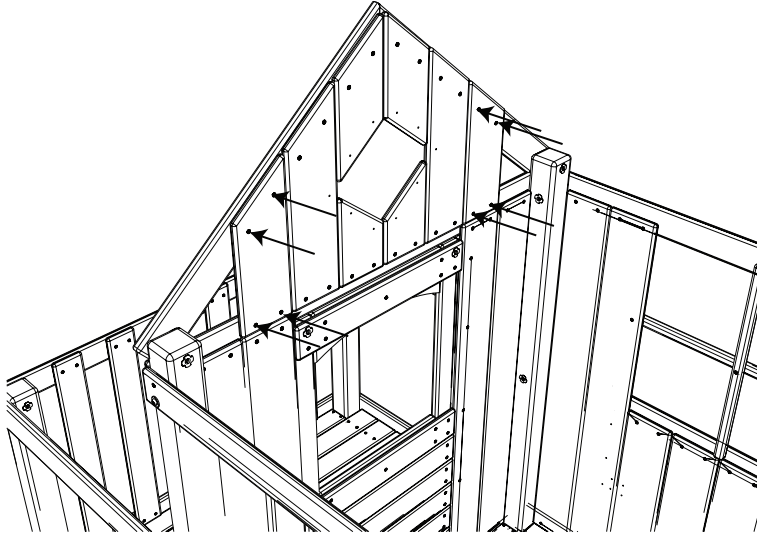
Align and attach (3) Window Boards (014) to the Roof Panel Boards using (8) Screws (S91).

Note: Do not insert any Screws into the joints between the Window Boards.



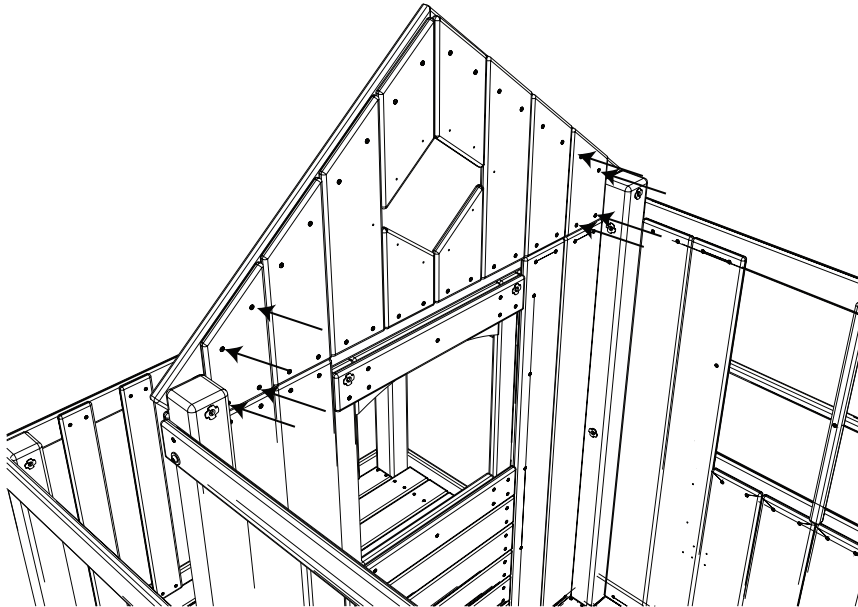
## Step 110:

Align (2) Roof Panel Boards (041) to the top edges of the Wall Boards and attach to the Rail Board (006) using (4) Screws (S95). Attach the Roof Panel Boards (041) to the Roof Rail Boards using (4) Screws (S91).



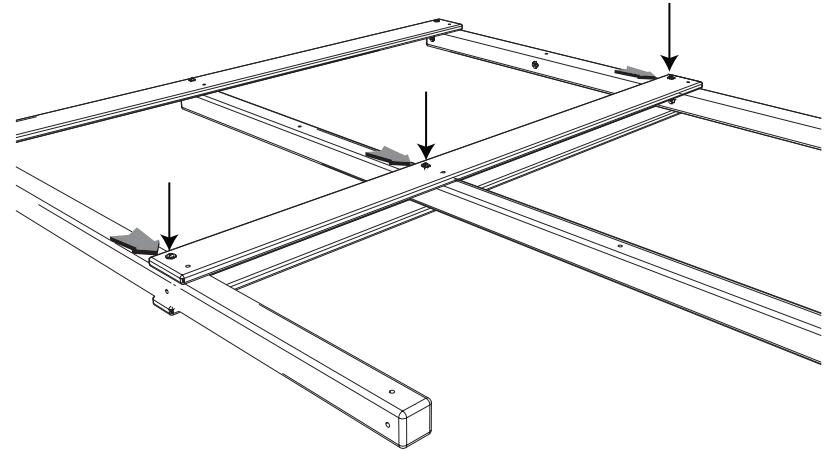
## Step 111:

Align (2) Roof Panel Boards (042) to the top edges of the Wall Boards and attach to the Rail Board (006) using (4) Screws (S95). Attach the Roof Panel Boards (042) to the Roof Rail Boards using (4) Screws (S91).



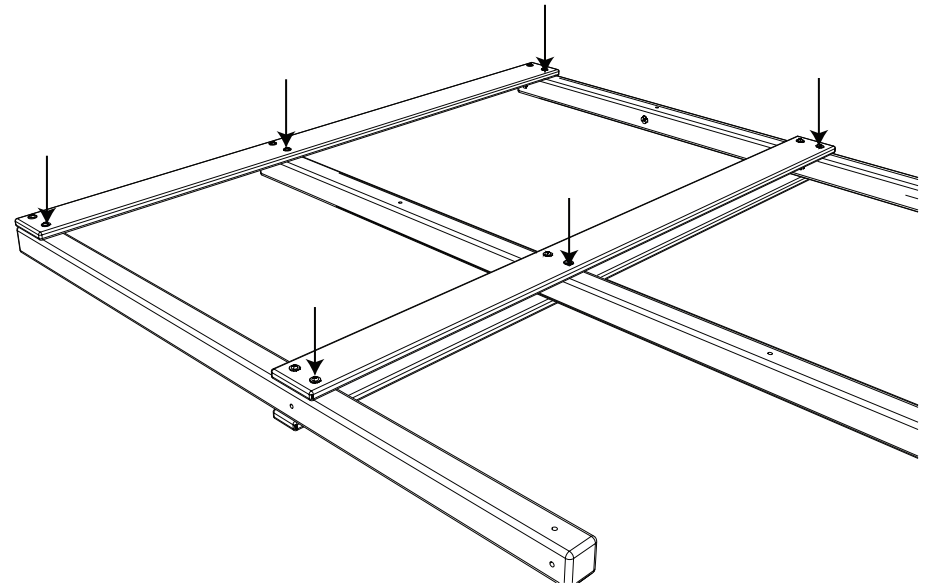
## Step 24:

Attach (1) Floor Rail (008) and (1) Floor Rail Support (016) to Tower Legs (003), (002), and (001) using (3) Bolts (B164). Note the orientation of the previously installed Nuts on the Floor Rail Support. Ensure that the Floor Rail is attached with the Bolts toward the Baseboard (057).



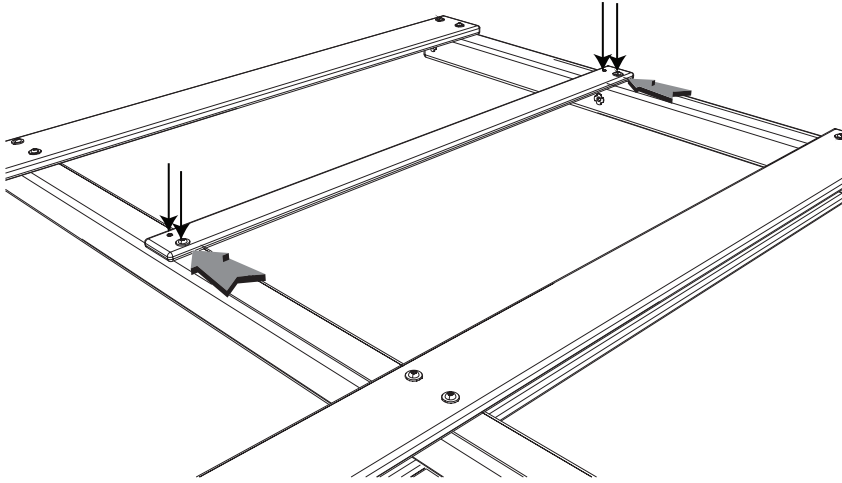
## Step 25:

Secure the Baseboard and Floor Rail to the Tower Legs using (6) Screws (S119).



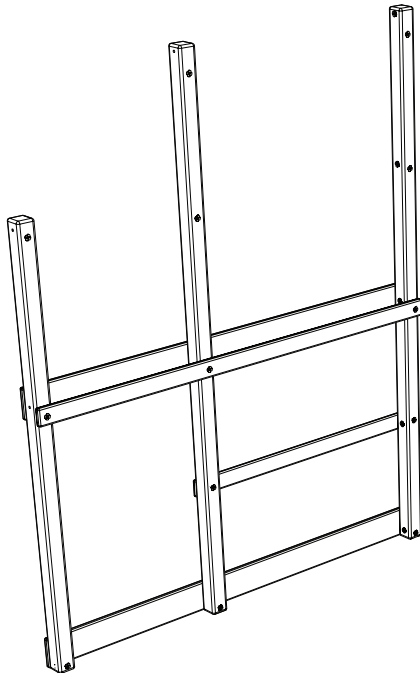
## Step 26:

Attach (1) Rail Board (030) to Tower Legs (002) and (001) using (2) Bolts (B198) and (2) Screws (S96). Ensure that the Rail Board is attached with the Bolts near the Floor Rail (008).



## Step 27:

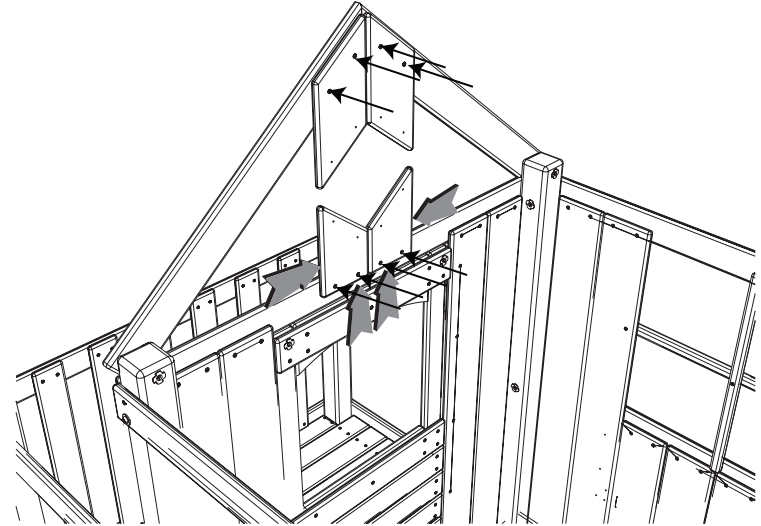
Stand the Tower Leg Assembly upright.



28

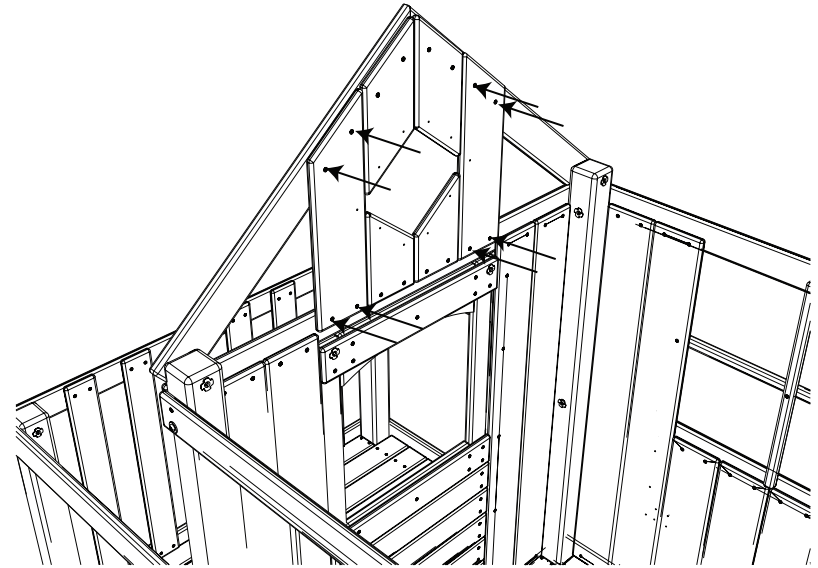
## Step 108:

Attach (2) Roof Panel Boards (043) to the Roof Rail Boards using (4) Screws (S91). Align (2) Roof Panel Boards (075) to the outer edges of the Roof Panel Boards (043) and the top edges of the Wall Boards. Then, attach the Roof Panel Boards (075) to the Rail Board (006) using (4) Screws (S95).



## Step 109:

Align (2) Roof Panel Boards (044) to the top edges of the Wall Boards and attach to the Rail Board (006) using (4) Screws (S95). Attach the Roof Panel Boards (044) to the Roof Rail Boards (035) using (4) Screws (S91).

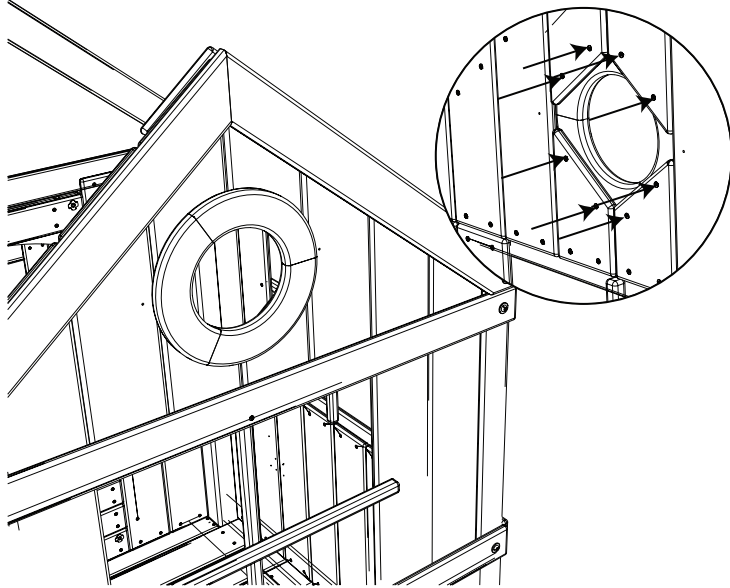


69

### Step 106:

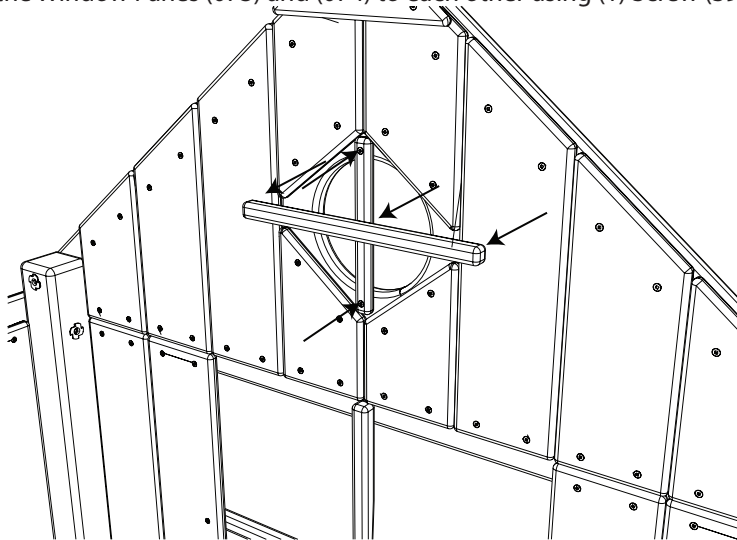
Align and attach (3) Window Boards (014) with the Roof Panel Boards using (8) Screws (S91).

Note: Do not insert any Screws into the joints between the Window Boards.



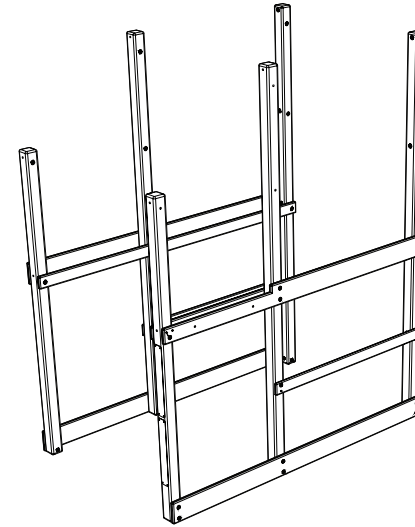
### Step 107:

Attach (1) Window Pane (073) to Window Boards (014) using (2) Screws (S91).  
Attach (1) Window Pane (074) to the Roof Panel Boards (044) using (2) Screws (S91).  
Secure the Window Panes (073) and (074) to each other using (1) Screw (S91).



### Step 28:

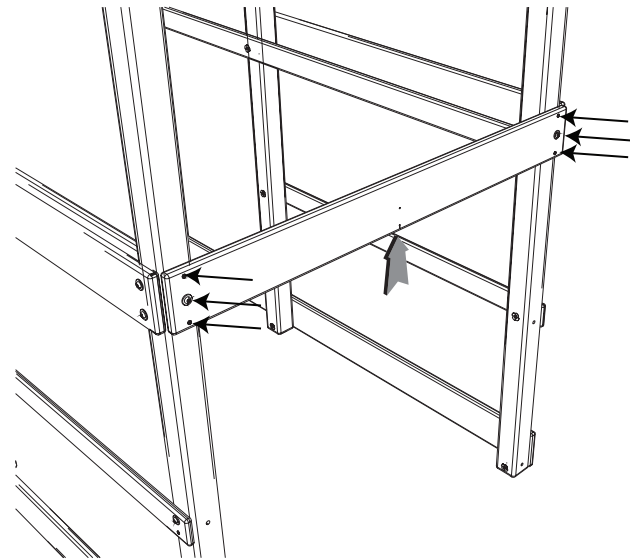
Stand the second Tower Leg Assembly upright. Ensure that the Floor Rails face the outside of the Assembly and that the Tower Legs (003) are aligned with one another.



### Step 29:

Attach (1) Floor Rail (007) to the Tower Legs (001) using (2) Bolts (B161) and (4) Screws (S96). Ensure the predrilled holes are near the bottom edge of the Floor Rail and that the Floor Rail is aligned with the Floor Rails (005) and (008).

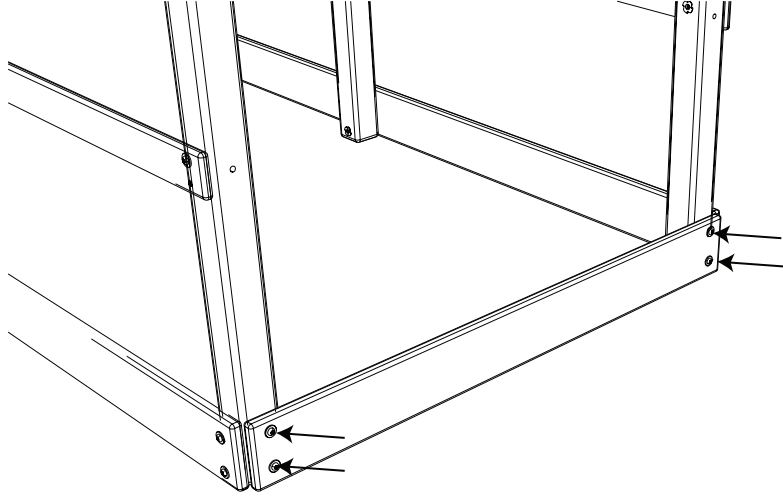
Note: Do not use the Floor Rail (007) with the Little Tikes® Logo attached. It will be used in a later step.





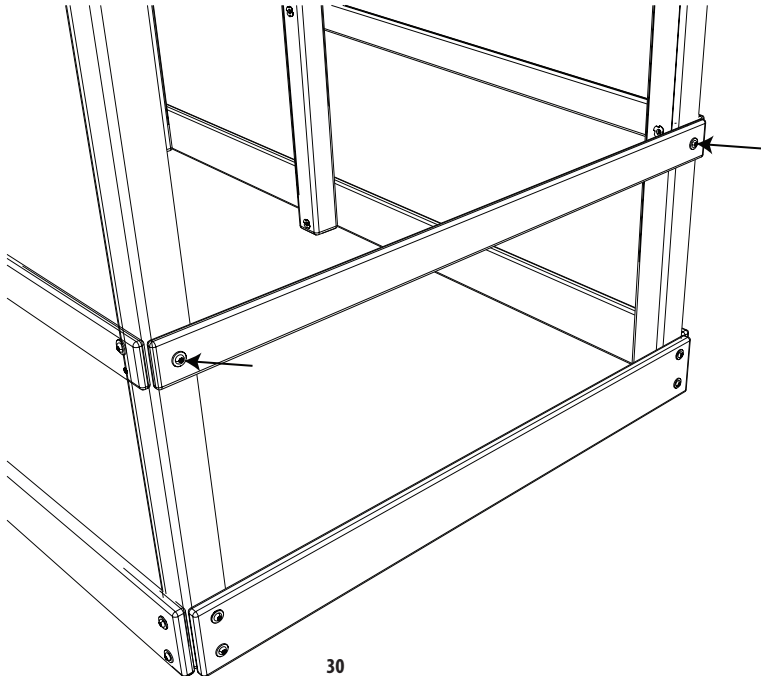
### Step 30:

Attach (1) Baseboard (004) to the Tower Legs (001) using (2) Bolts (B161) and (2) Screws (S119).



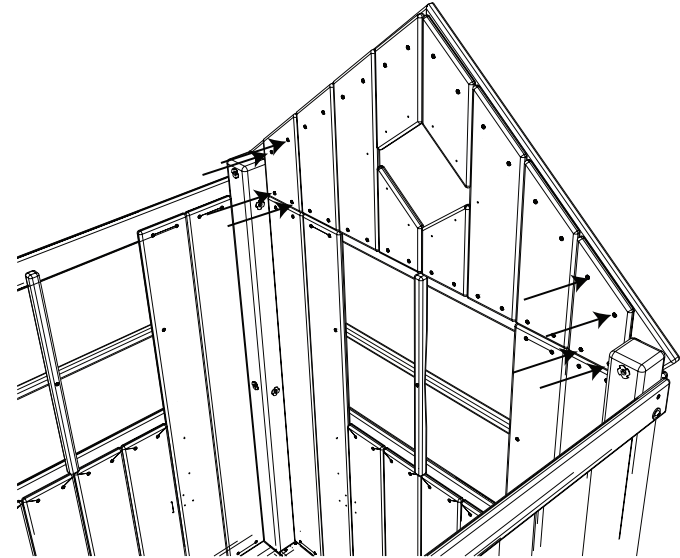
### Step 31:

Attach (1) Rail Board (006) to the Tower Legs (001) using (2) Bolts (B198).



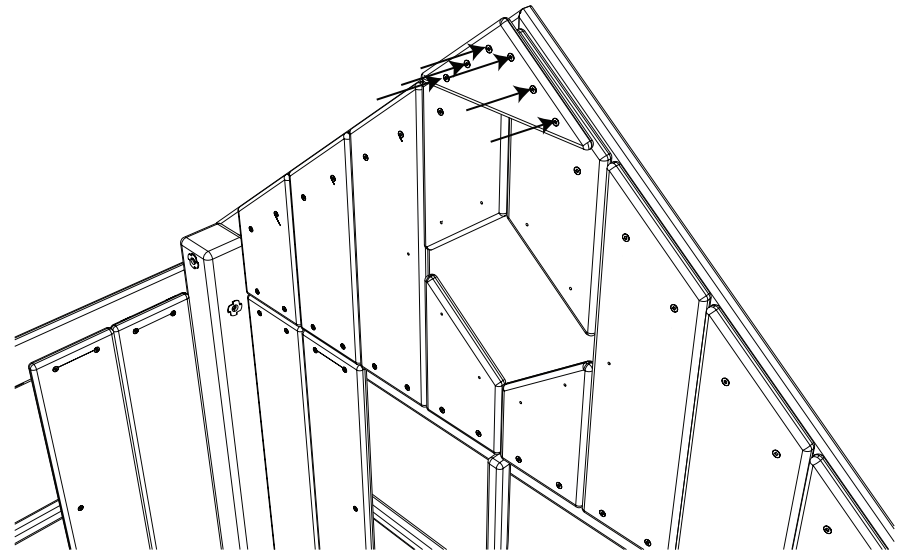
### Step 104:

Align (2) Roof Panel Boards (042) to the top edges of the Wall Boards. Attach the Roof Panel Boards to the Rail Board (039) using (4) Screws (S95). Attach the Roof Panel Boards to the Roof Rail Boards (035) using (4) Screws (S91).



### Step 105:

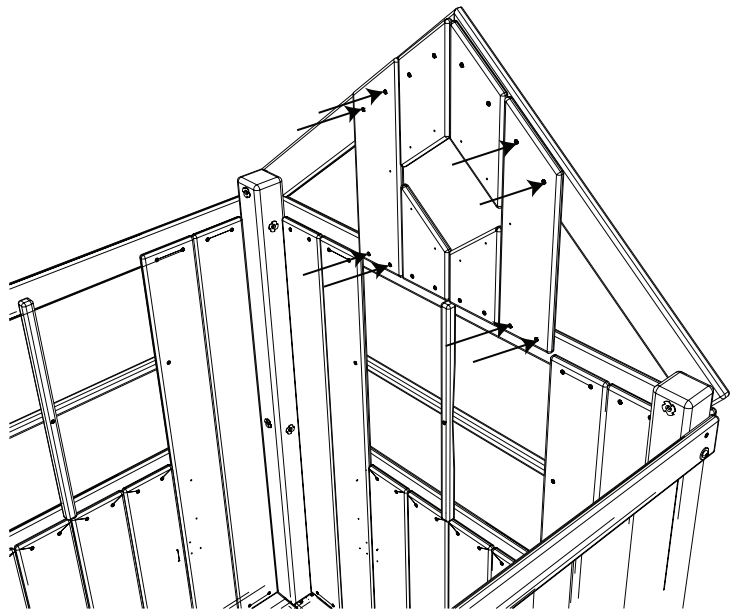
Attach (1) Roof Support (055) to the Roof Panel Boards (043) using (6) Screws (S91). Ensure that the top edges are flush with the Roof Rail Boards (035).





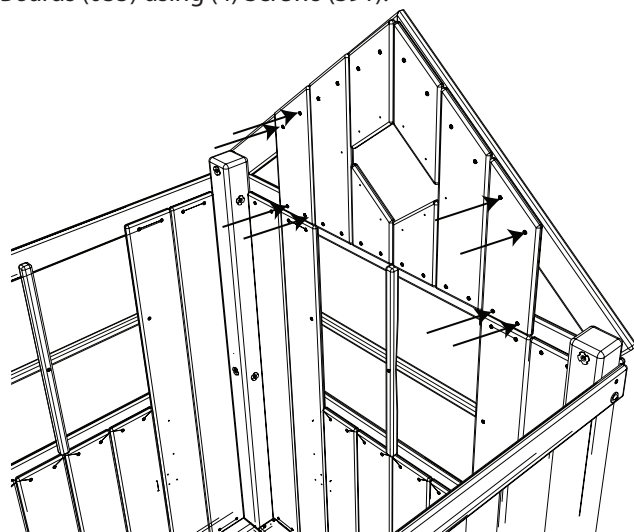
### Step 102:

Align (2) Roof Panel Boards (044) to the bottom edges of the Roof Panel Boards (075). Attach the Roof Panel Boards to the Rail Board (039) using (4) Screws (S95). Attach the Roof Panels to the Roof Rail Boards (035) using (4) Screws (S91).



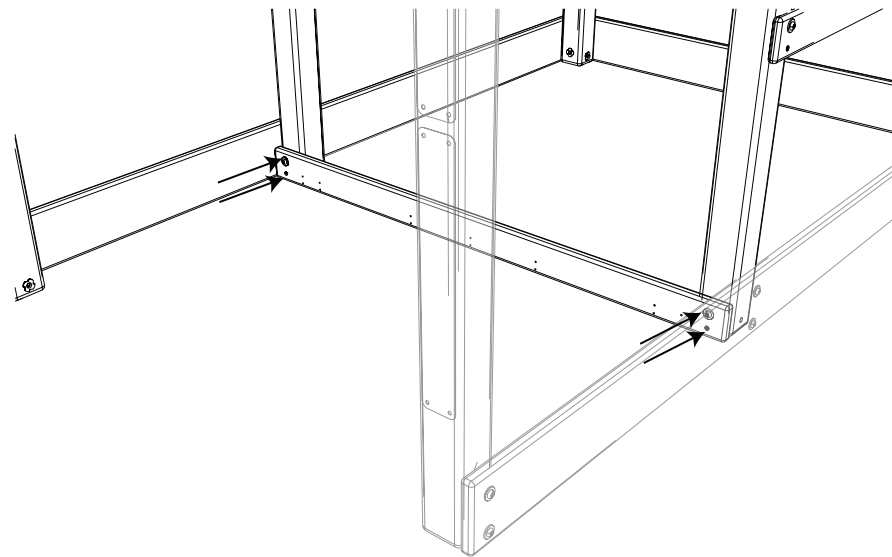
### Step 103:

Align (2) Roof Panel Boards (041) to the top edges of the Wall Boards. Attach the Roof Panels to the Rail Board (039) using (4) Screws (S95). Attach the Roof Panels to the Roof Rail Boards (035) using (4) Screws (S91).



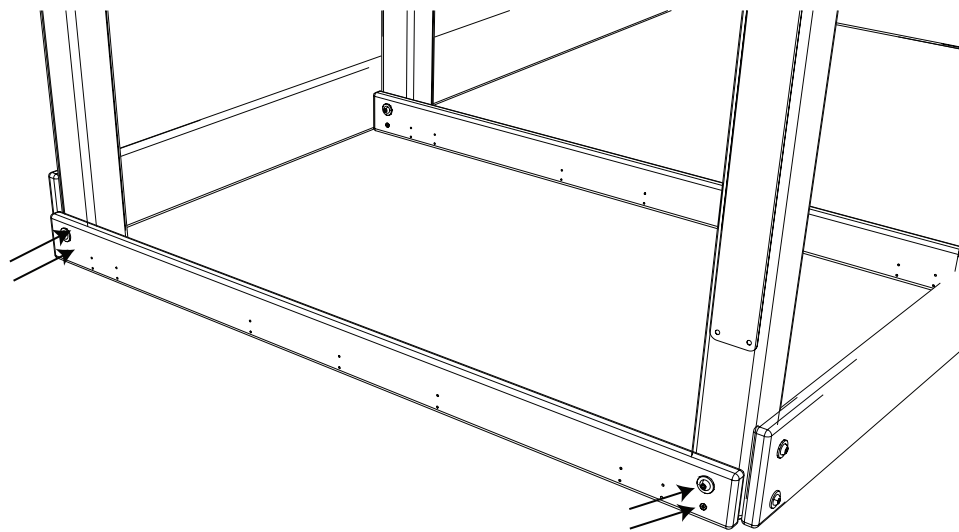
### Step 32:

Attach (1) Baseboard (023) to the Tower Legs (002) using (2) Screws (S119) and (2) Screws (S96). Ensure the predrilled holes are near the bottom edge of the Baseboard.



### Step 33:

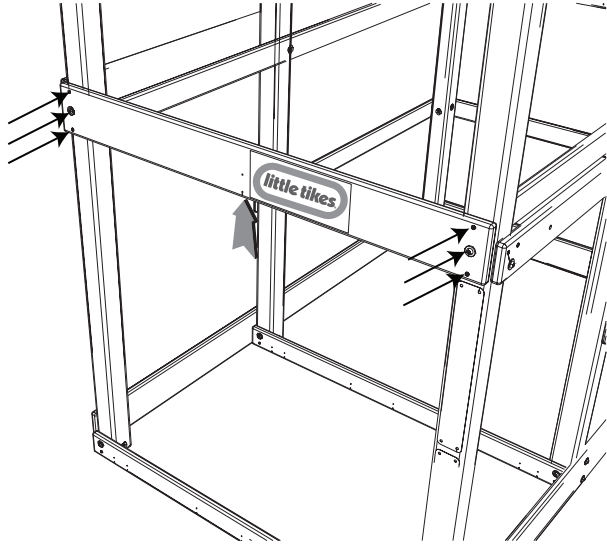
Attach (1) Baseboard (023) to the Tower Legs (003) using (2) Screws (S119) and (2) Screws (S96). Ensure the predrilled holes are near the bottom edge of the Baseboard.



### Step 34:

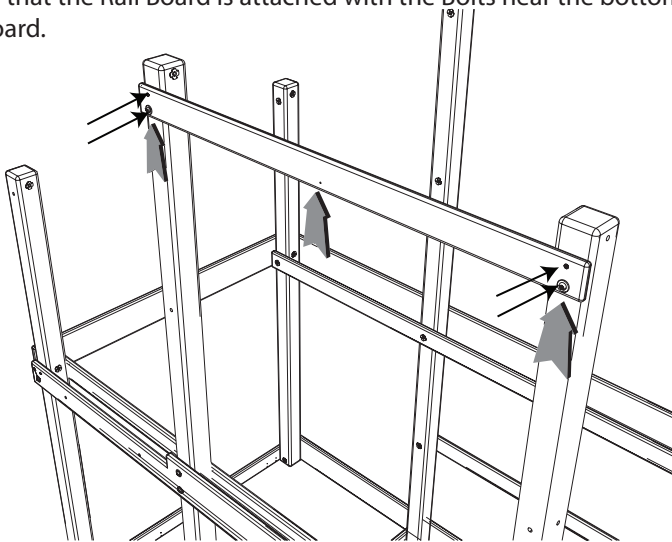
Attach (1) Floor Rail (007) to the Tower Legs (003) using (2) Bolts (B161) and (4) Screws (S96). Ensure the predrilled holes are near the bottom edge of the Floor Rail and that the Floor Rail is aligned with the Floor Rails (008) and (005).

Note: Ensure that the Little Tikes® logo is facing outward.



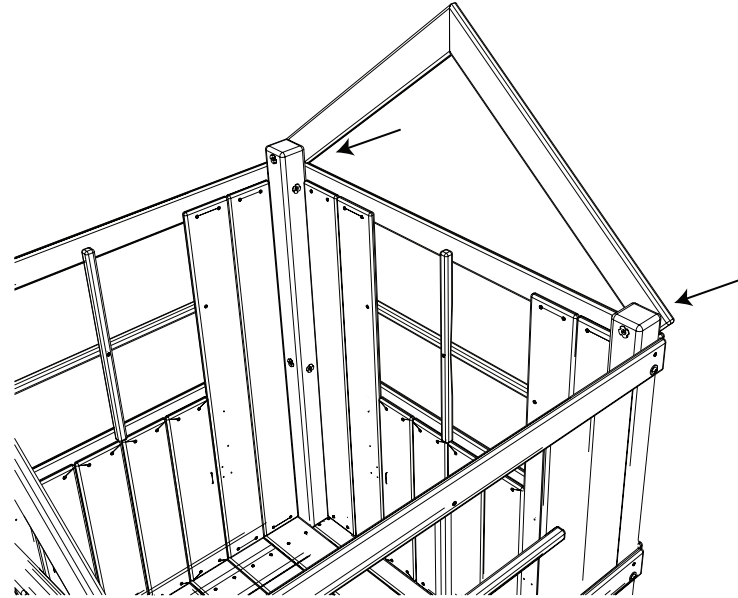
### Step 35:

Attach (1) Rail Board (056) to Tower Legs (002) and (001) using (2) Bolts (B198) and (2) Screws (S96). Ensure the predrilled hole is near the bottom edge of the Rail Board and that the Rail Board is attached with the Bolts near the bottom edge of the Rail Board.



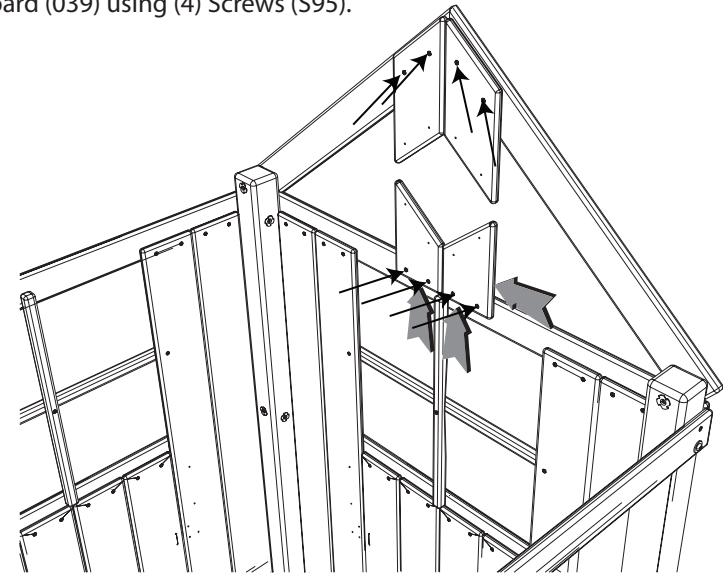
### Step 100:

Attach (1) Roof Rail Board (035) to each Tower Leg (001) using (1) Bolt (B161).



### Step 101:

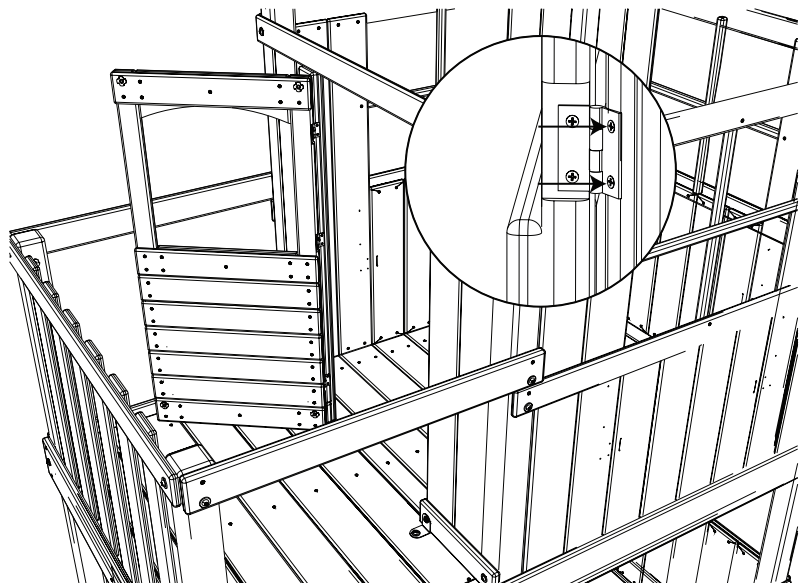
Attach (2) Roof Panel Boards (043) to the Roof Rail Boards using (4) Screws (S91). Align (2) Roof Panel Boards (075) to the outer edges of the Roof Panel Boards (043) and the top edges of the Wall Boards. Then, attach the Roof Panel Boards (075) to the Rail Board (039) using (4) Screws (S95).



### Step 98:

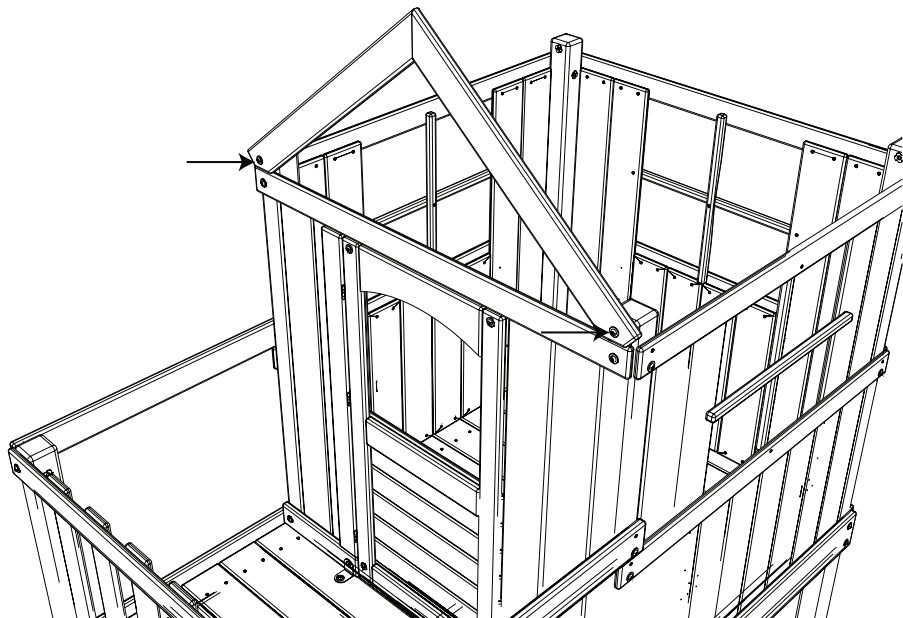
Attach the Door Hinges to the Door Support Board (040) using (6) Hinge Screws (HD49).

Note: Ensure there is a slight gap under the Door to allow it to swing freely.



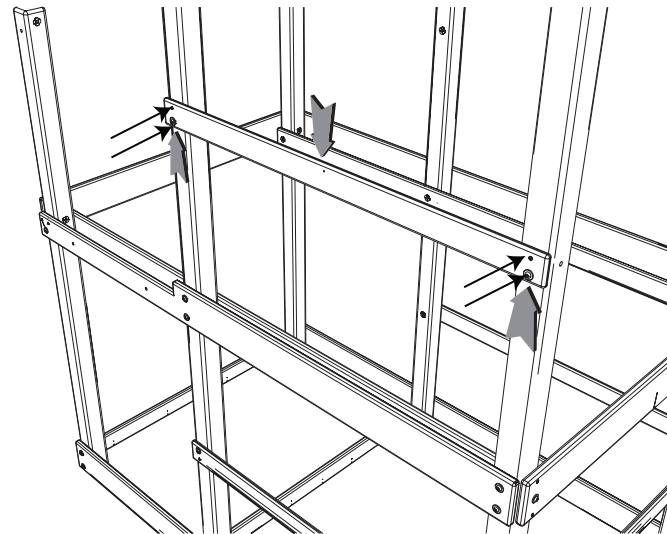
### Step 99:

Attach (1) Roof Rail Board (035) to each Tower Leg (002) using (1) Bolt (B161).



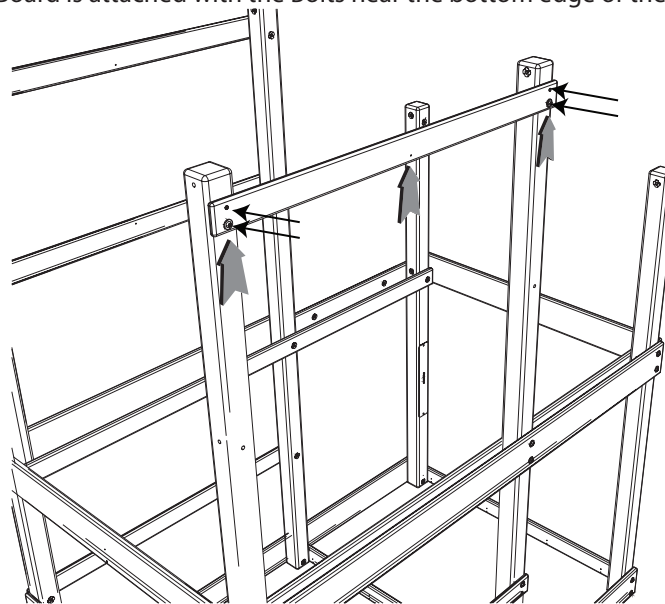
### Step 36:

Attach (1) Rail Board (009) to Tower Legs (002) and (001) using (2) Bolts (B198) and (2) Screws (S96). Ensure the predrilled hole is near the top edge of the Rail Board and that the Rail Board is attached with the Bolts near the bottom edge of the Rail Board.



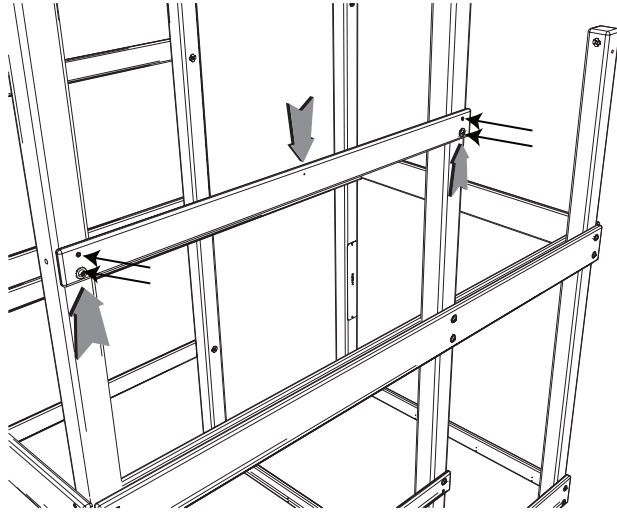
### Step 37:

Attach (1) Rail Board (056) to Tower Legs (001) and (002) using (2) Bolts (B198) and (2) Screws (S96). Ensure the predrilled hole is near the bottom edge of the Rail Board and that the Rail Board is attached with the Bolts near the bottom edge of the Rail Board.



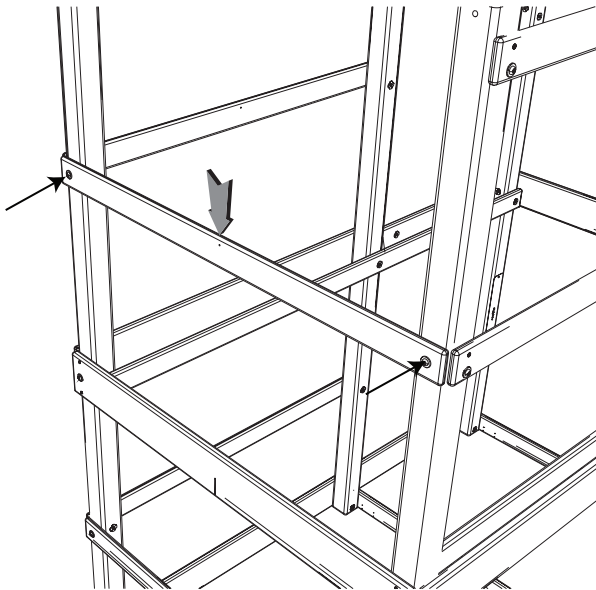
### Step 38:

Attach (1) Rail Board (009) to Tower Legs (001) and (002) using (2) Bolts (B198) and (2) Screws (S96). Ensure the predrilled hole is near the top edge of the Rail Board and that the Rail Board is attached with the Bolts near the bottom edge of the Rail Board.



### Step 39:

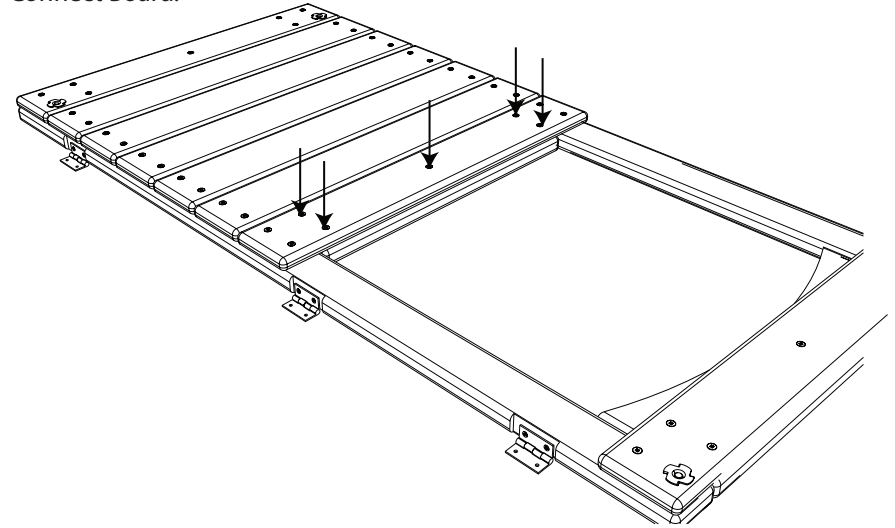
Attach (1) Rail Board (039) to the Tower Legs (001) using (2) Bolts (B198). Ensure the predrilled hole is near the top edge of the Rail Board and that the Rail Board is aligned with the previously installed Rail Boards (009).



34

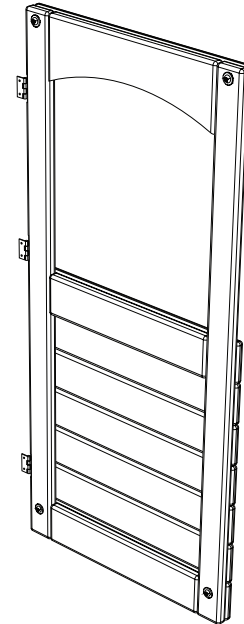
### Step 96:

Attach (1) Door Brace (033) to the Door Connect Board (059) using (5) Screws (S91). Ensure that the edges of the Door Brace are flush with the edges of the Door Connect Board.



### Step 97:

Carefully stand the Door upright.

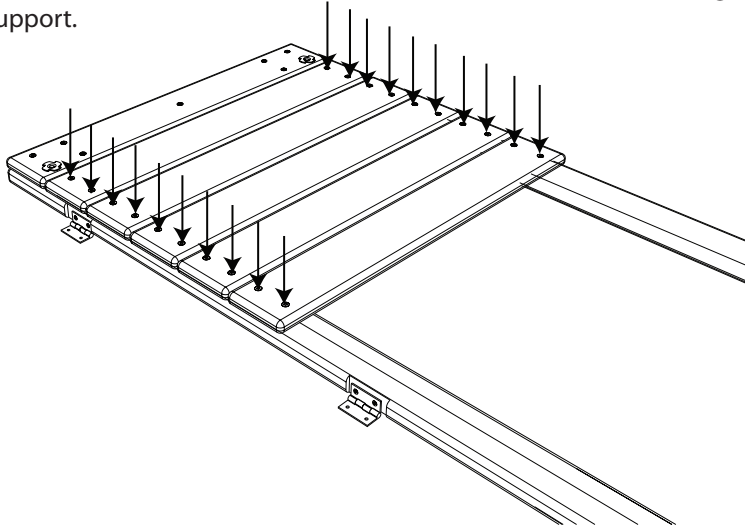


63



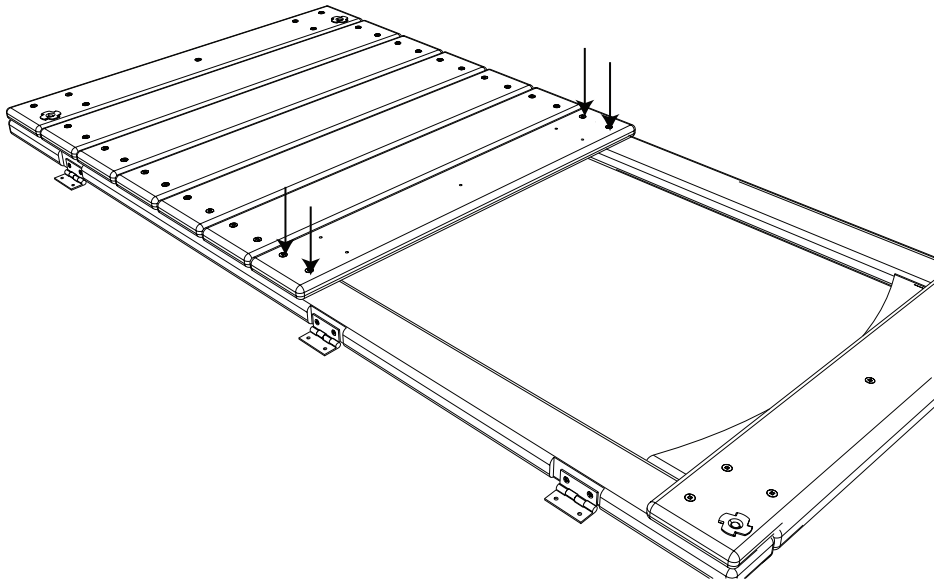
### Step 94:

Attach (5) Door Connect Boards (058) to the Door Support Board and Door Board using (20) Screws (S91). Ensure that the Door Connect Boards are flush against the Door Support.



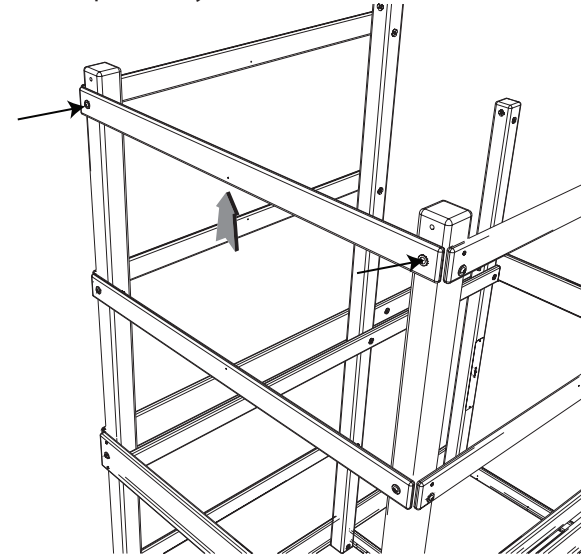
### Step 95:

Attach (1) Door Connect Board (059) to the Door Support Board and Door Board using (4) Screws (S91). Ensure that the Door Connect Board is flush against the previously installed Door Connect Board (058).



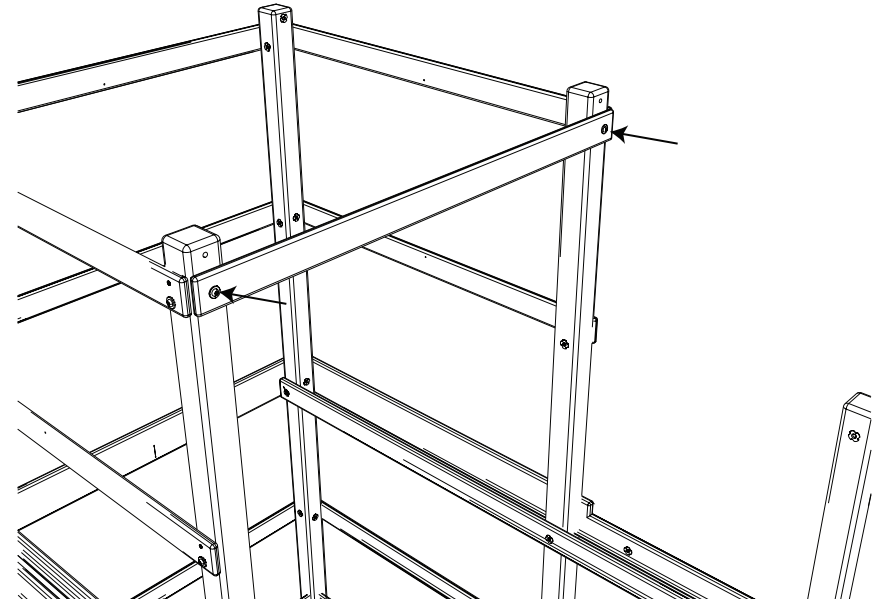
### Step 40:

Attach (1) Rail Board (039) to the Tower Legs (001) using (2) Screws (S119). Ensure the predrilled hole is near the bottom edge of the Rail Board and that the Rail Board is aligned with the previously installed Rail Boards (056).



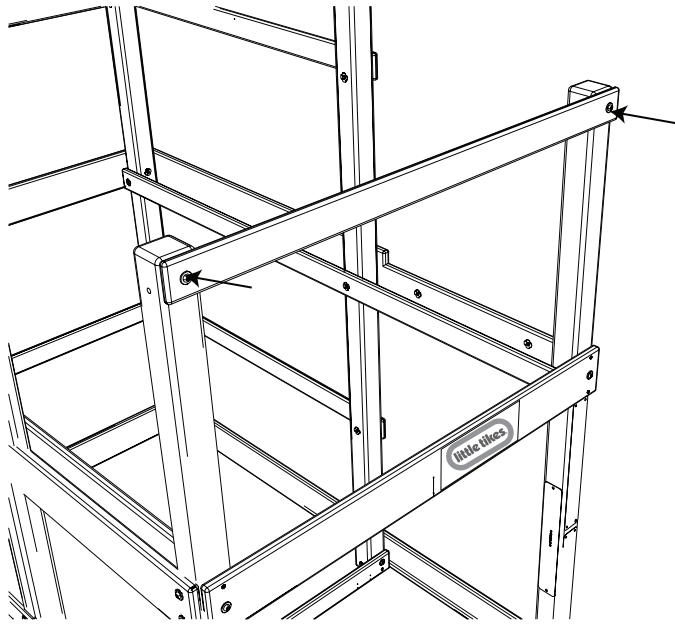
### Step 41:

Attach (1) Rail Board (006) to the Tower Legs (002) using (2) Screws (S119). Ensure that the Rail Board is aligned with the previously installed Rail Boards (056).



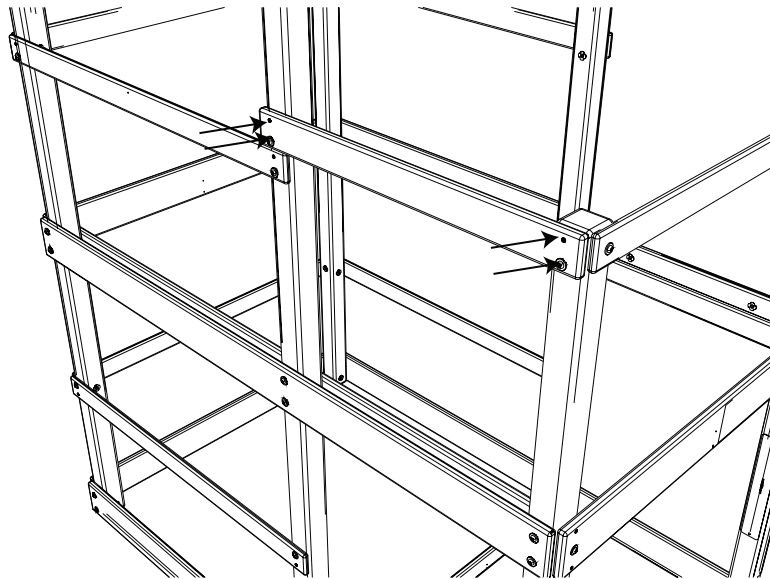
## Step 42:

Attach (1) Rail Board (006) to the (2) Tower Legs (003) using (2) Bolts (B198).



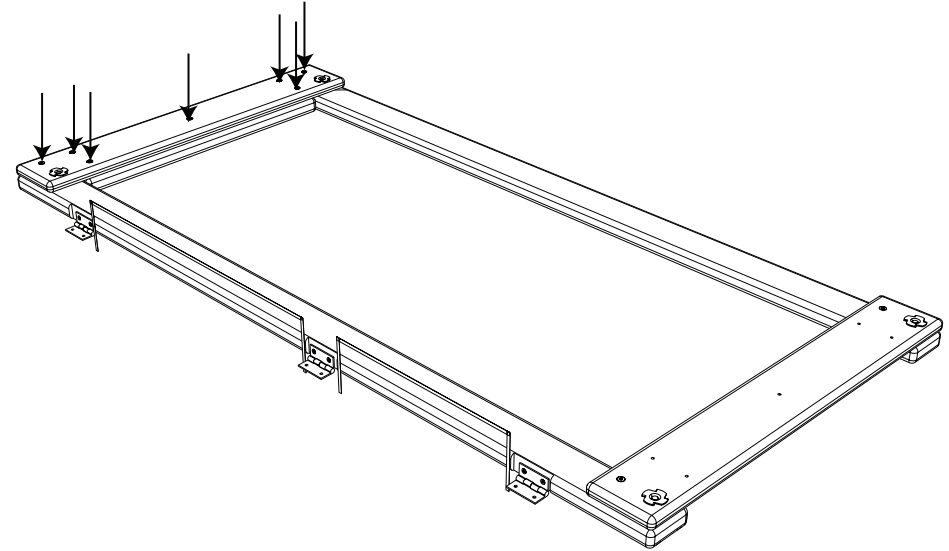
## Step 43:

Attach (1) Handrail Board (070) to the Tower Legs (002) and (003) using (1) Bolt (B161), (1) Screw (S119), and (2) Screws (S96).



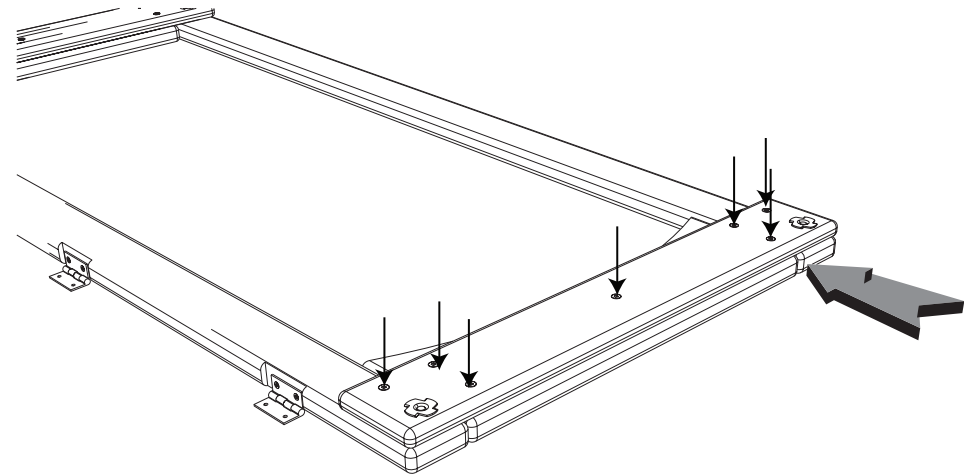
## Step 92:

Attach (1) Door Brace (033) to the Door Support (031) using (7) Screws (S91) on the end of the Door Assembly with a larger space between the Hinges. Ensure that the edges of the Door Brace are flush with the edges of the Door Support.



## Step 93:

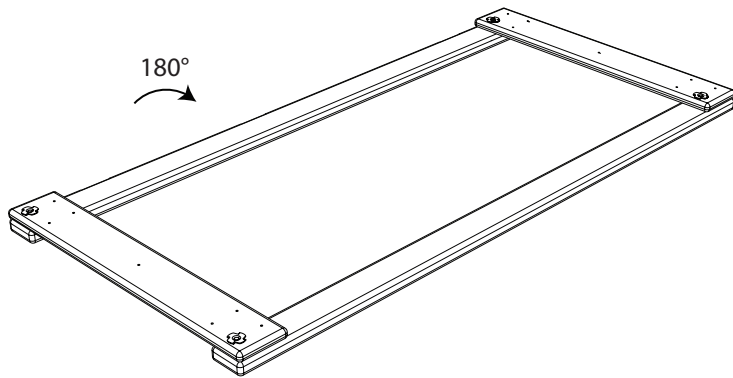
Attach (1) Door Brace (034) to the Door Support (031) using (7) Screws (S91). Ensure that the top edge of the Door Brace is flush with the top edge of the Door Support.





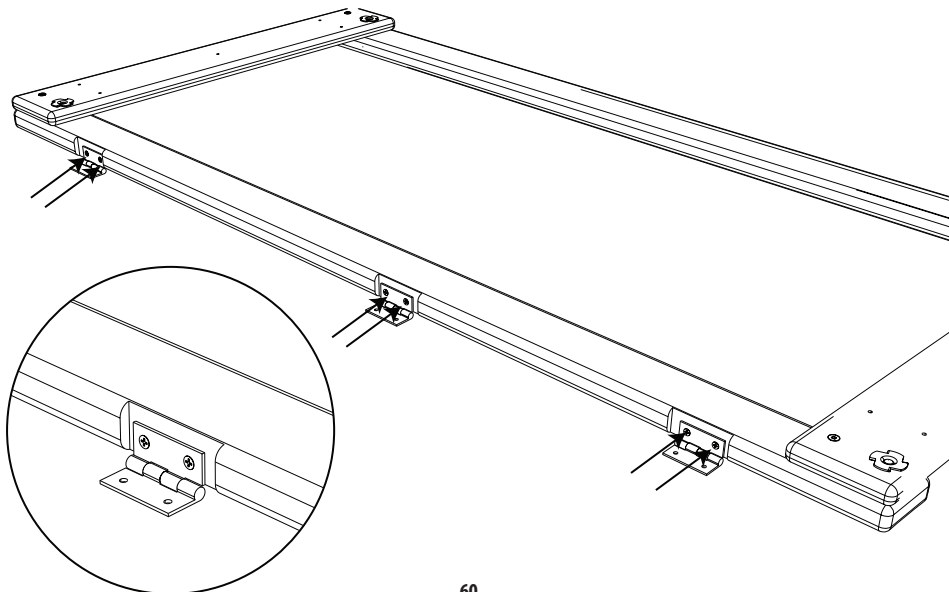
## Step 90:

Carefully turn the Door Assembly over so the Door Board and Door Support Board are on the ground.



## Step 91:

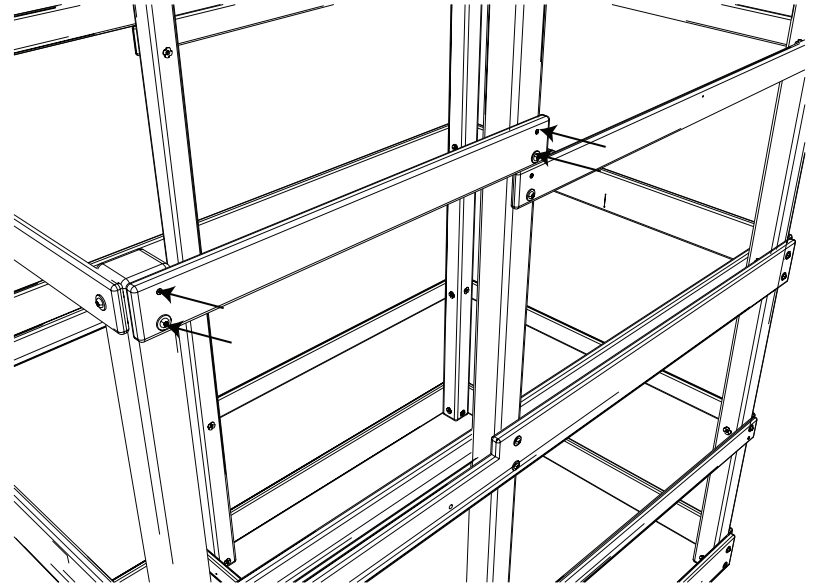
Attach (3) Hinges (HD49) to the Door Support Board using (6) Hinge Screws (HD49). Note the orientation of the Hinges.



60

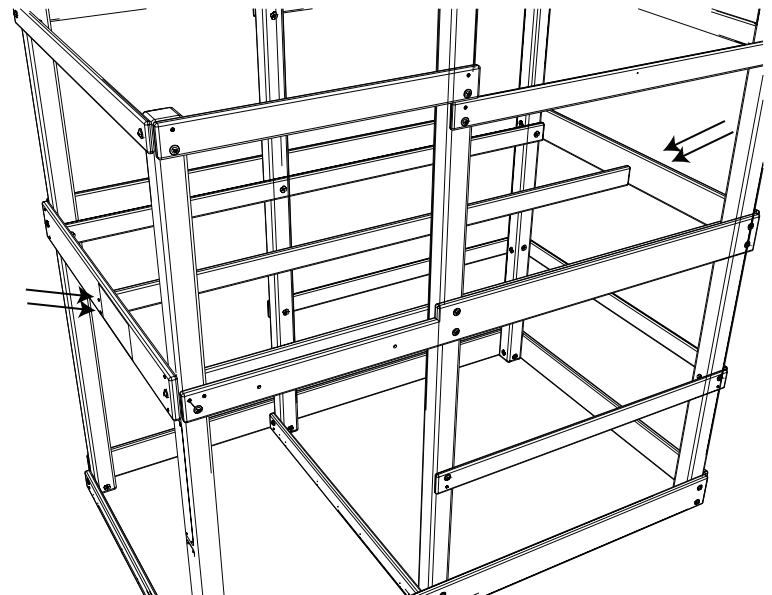
## Step 44:

Attach (1) Handrail Board (070) to the Tower Legs (003) and (002) using (1) Bolt (B161), (1) Screw (S119), and (2) Screws (S96).



## Step 45:

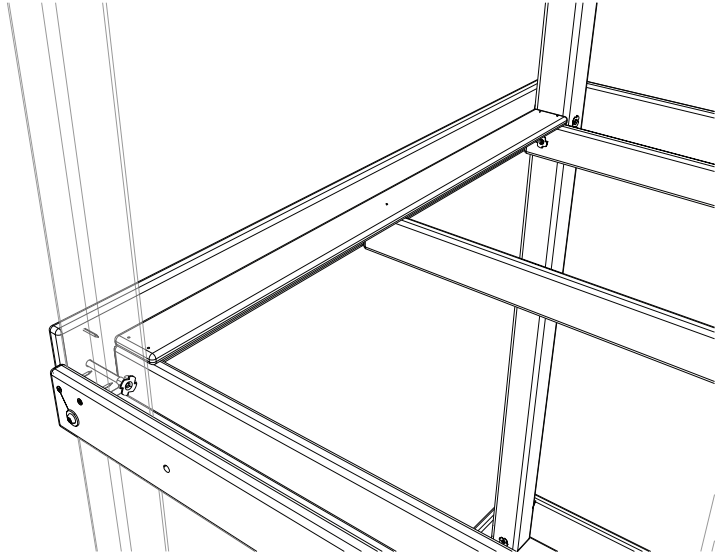
Attach (1) Floor Support (037) to the Floor Rails (007) using (4) Screws (S96). Ensure that the Floor Support is flush against the bottom edge of the Floor Rails.



37

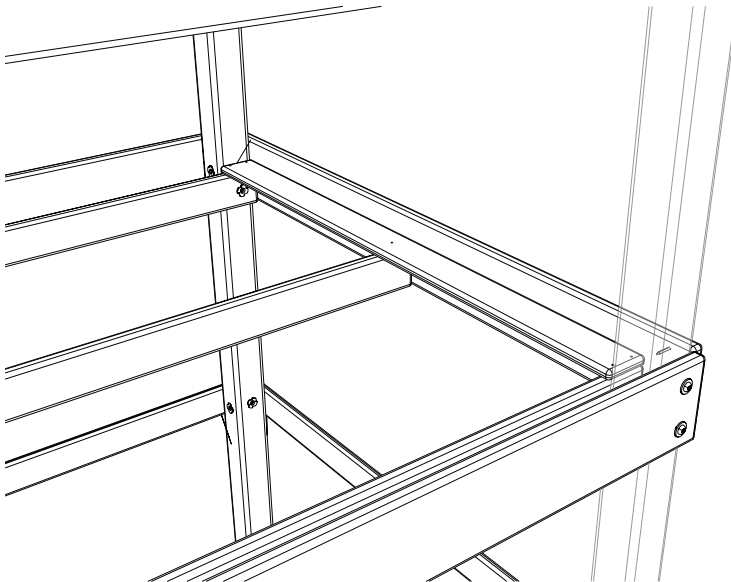
### Step 46:

Place (1) Floorboard (015) on the Floor Rail Supports (016) and Floor Support (037) in between the Tower Legs (003). Do not attach until instructed to do so in a later step.



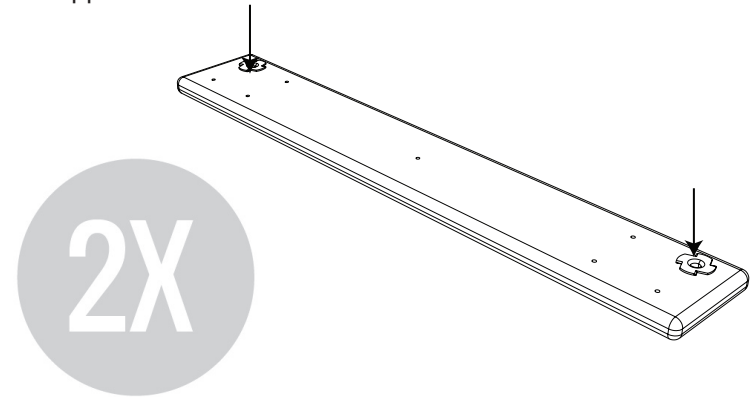
### Step 47:

Place (1) Floorboard (015) on the Floor Rail Supports (016) and Floor Support (037) in between the Tower Legs (001). Do not attach until instructed to do so in a later step.



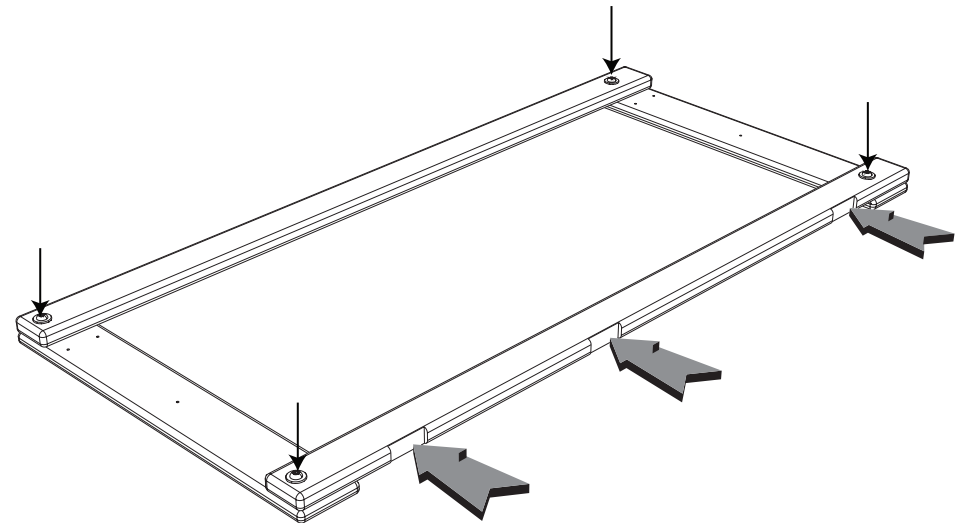
### Step 88:

Insert (2) Nuts (N02) into (1) Door Support (031). Complete this step 2 times for 2 Door Supports.



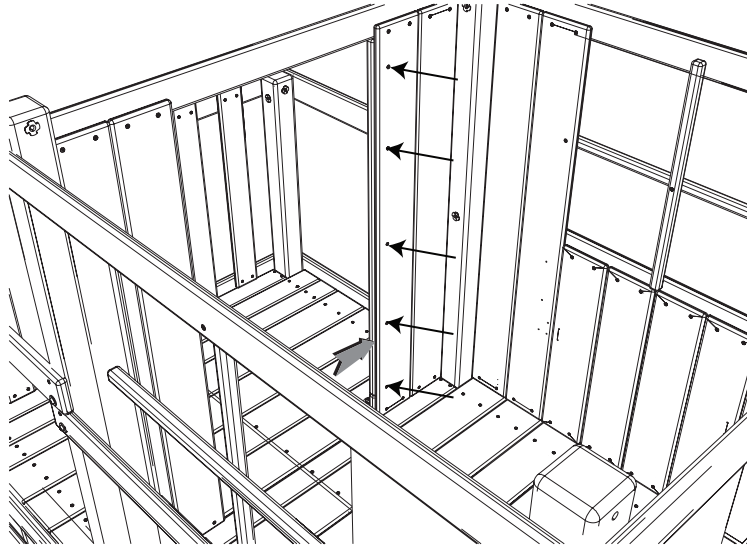
### Step 89:

Attach (1) Door Board (032) and (1) Door Support Board (060) to the Door Supports (031) using (4) Bolts (B160). Ensure that the Door Support Board is oriented as shown.



### Step 86:

Attach (1) Door Support Board (040) to the Wall Board (061) using (5) Screws (S91). Ensure that the edge of the Door Support Board is flush against the edge of the Wall Board.



### Step 87:

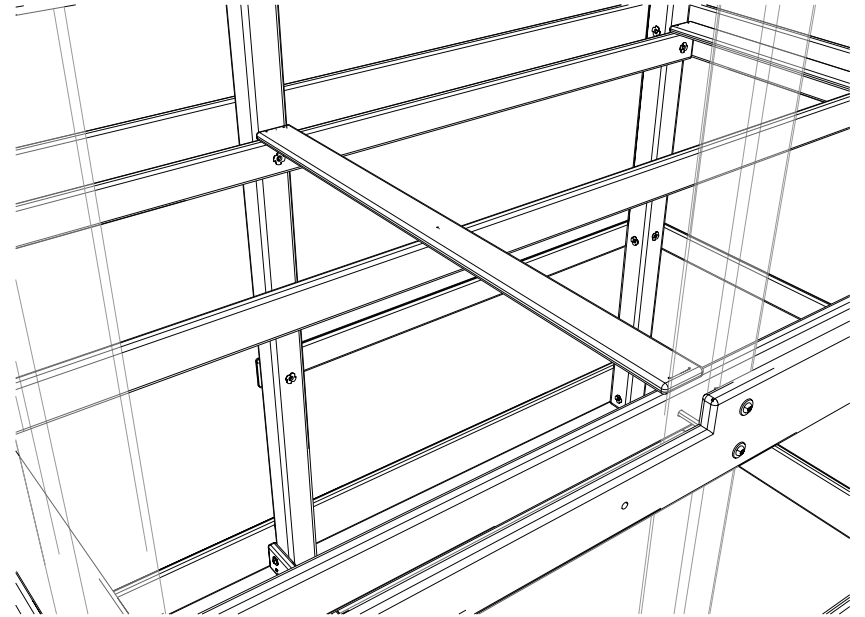
The following steps will guide you through the Door Assembly.



58

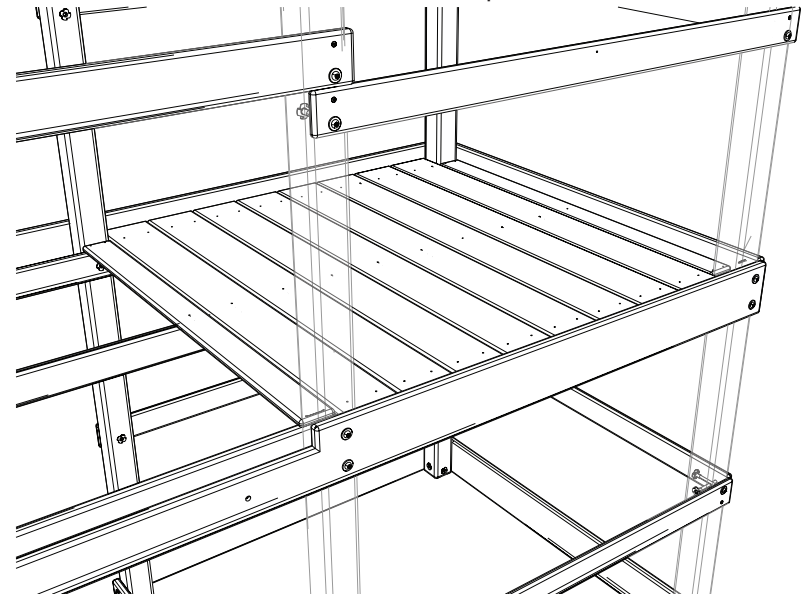
### Step 48:

Place (1) Floorboard (015) on the Floor Rail Supports (016) and Floor Support (037) in between the Tower Legs (002). Do not attach until instructed to do so in a later step.



### Step 49:

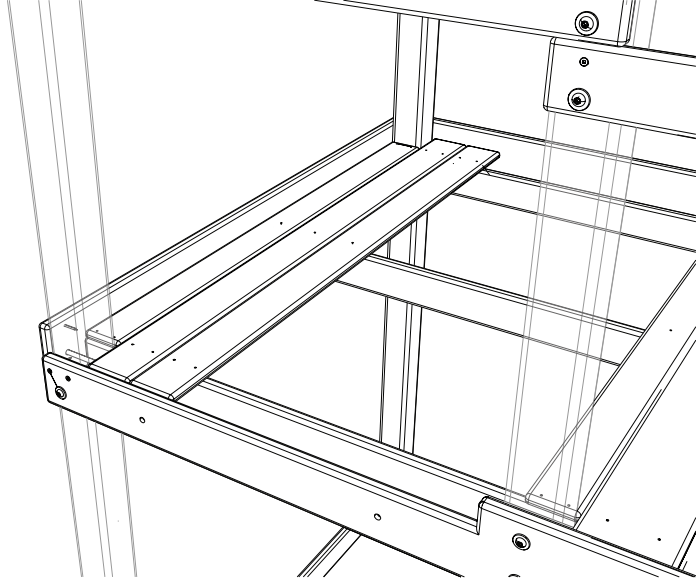
Place (8) Floorboards (011) on the Floor Rail Supports (016) and Floor Support (037). Do not attach until instructed to do so in a later step.



39

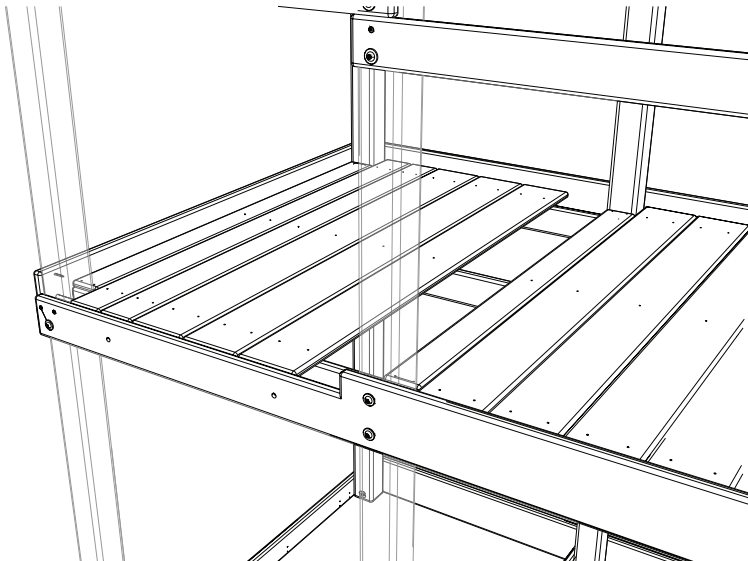
### Step 50:

Place (2) Floorboards (013) on the Floor Rail Supports (016) and Floor Support (037). Do not attach until instructed to do so in a later step.



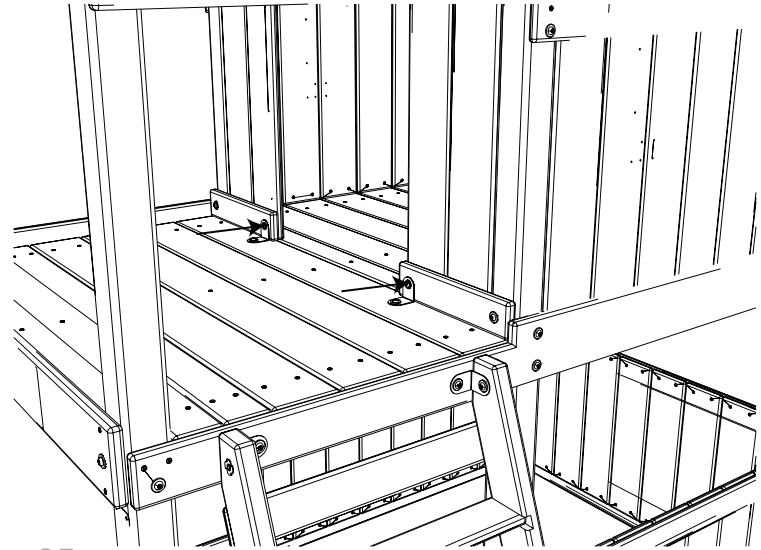
### Step 51:

Place (3) Floorboards (011) on the Floor Rail Supports (016) and Floor Support (037). Do not attach until instructed to do so in a later step.



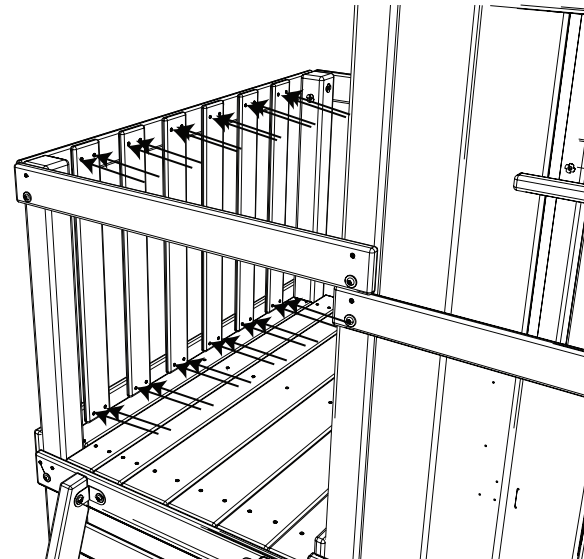
### Step 84:

Secure the Brackets (HD52) to the Rail Boards (021) using (2) Washers (W07) and (2) Screws (S80).



### Step 85:

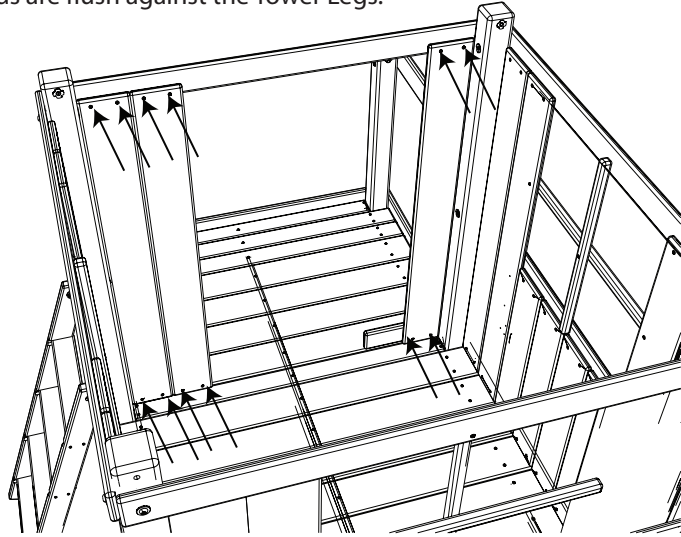
Evenly space and attach (6) Wall Boards (022) to the Rail Board (006) using (12) Screws (S95). Attach the Wall Boards to Floor Rail (007) using (12) Screws (S91). **WARNING:** To avoid head or torso entrapment, the Wall Boards should never be placed between 3 1/2in to 9in (8.75cm to 22.75cm) apart. To avoid finger entrapment, the Wall Boards should never be positioned 1/2in (1.25cm) or closer. Even spacing of the Wall Boards will minimize these concerns.





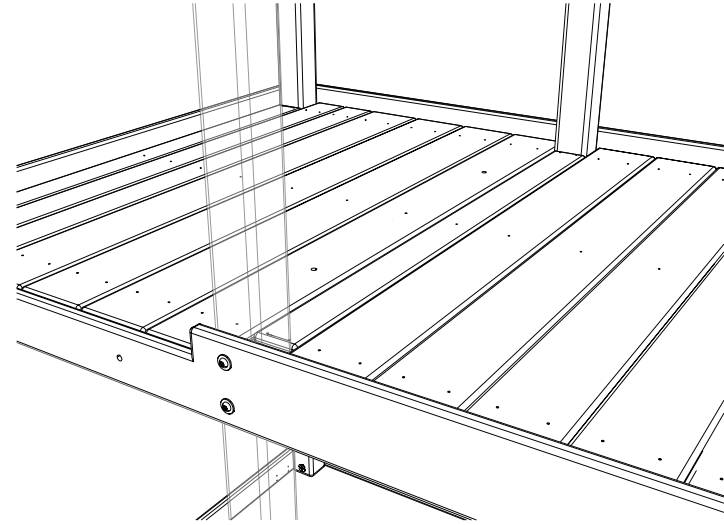
### Step 82:

Attach (3) Wall Boards (017) to the Rail Board (006) using (6) Screws (S95). Attach the Wall Boards to the Rail Boards (021) using (6) Screws (S91). Ensure that the Wall Boards are flush against the Tower Legs.



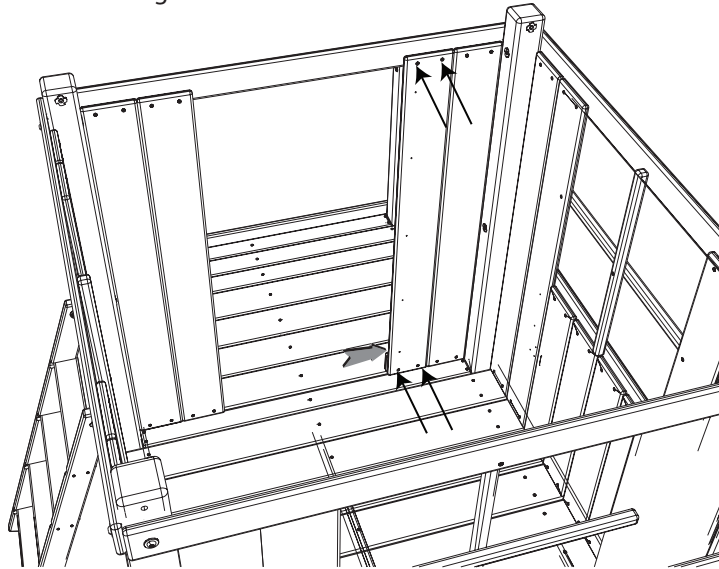
### Step 52:

Place (1) Floorboard (020) on the Floor Rail Supports (016) and Floor Support (037). Ensure that the predrilled bolt holes lay closer to the previously placed Floorboard (015). Do not attach until instructed to do so in a later step.



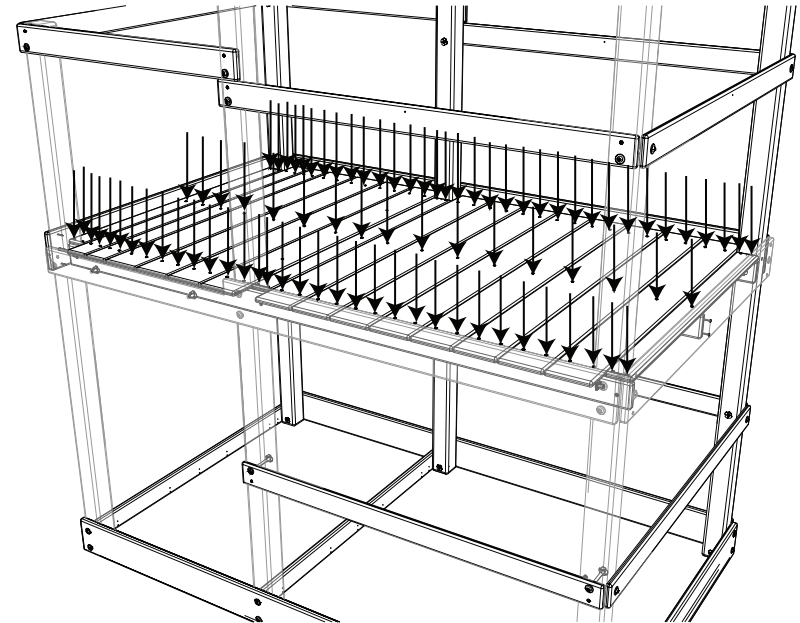
### Step 83:

Attach (1) Wall Board (061) to the Rail Board (006) using (2) Screws (S95). Attach the Wall Board to the Rail Board (021) using (2) Screws (S91). Ensure that the Wall Board is flush against the previously installed Wall Board (017) and that the predrilled holes are near the inner edge.



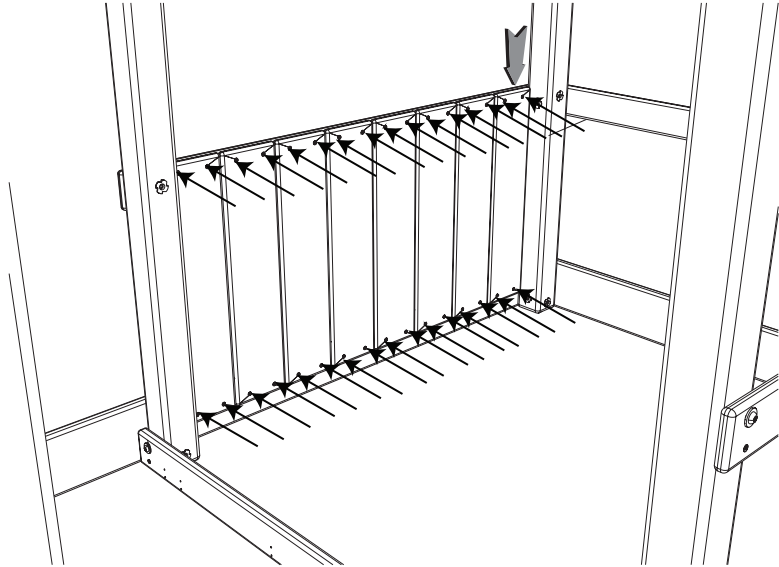
### Step 53:

Secure the Floorboards using (85) Screws (S92).



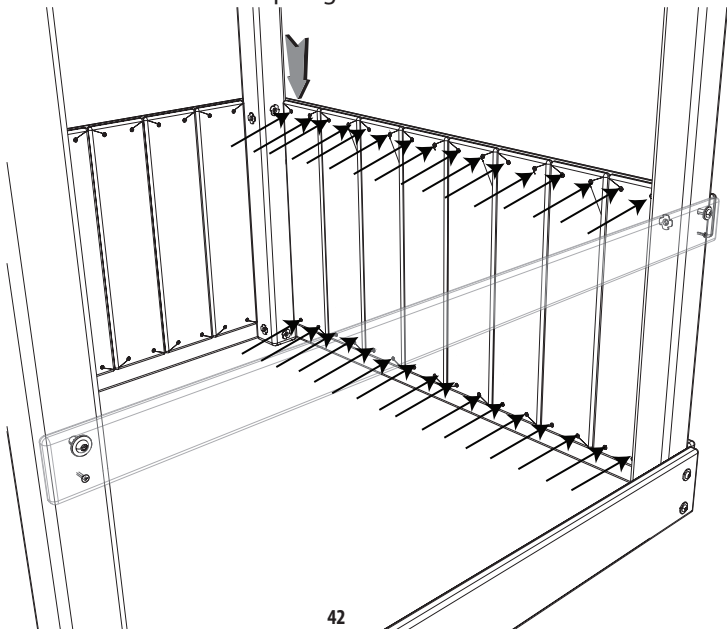
### Step 54:

Attach (8) Wall Boards (010) to Rail Board (030) using (16) Screws (S95). Attach the Wall Boards to Baseboard (057) using (16) Screws (S91). Ensure that the top edges of the Wall Boards are flush with the top edge of the Rail Board.



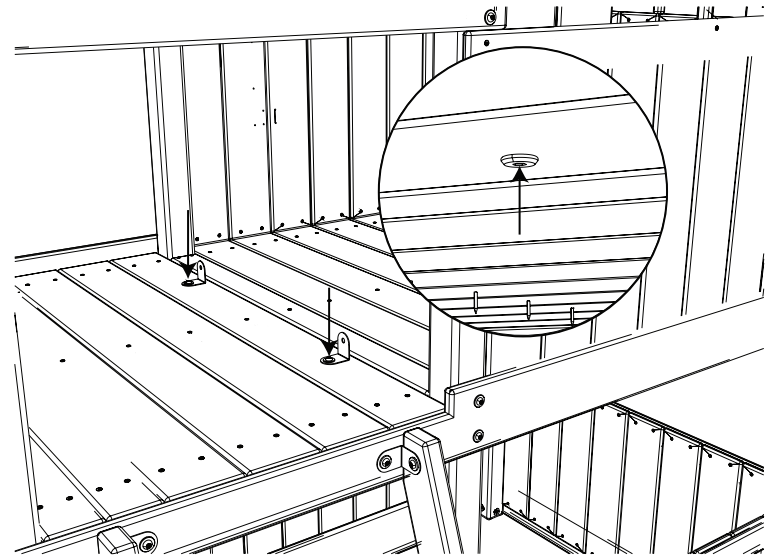
### Step 55:

Attach (8) Wall Boards (010) to Rail Board (006) using (16) Screws (S95). Attach the Wall Boards to Baseboard (004) using (16) Screws (S91). Ensure that the top edges of the Wall Boards are flush with the top edge of the Rail Board.



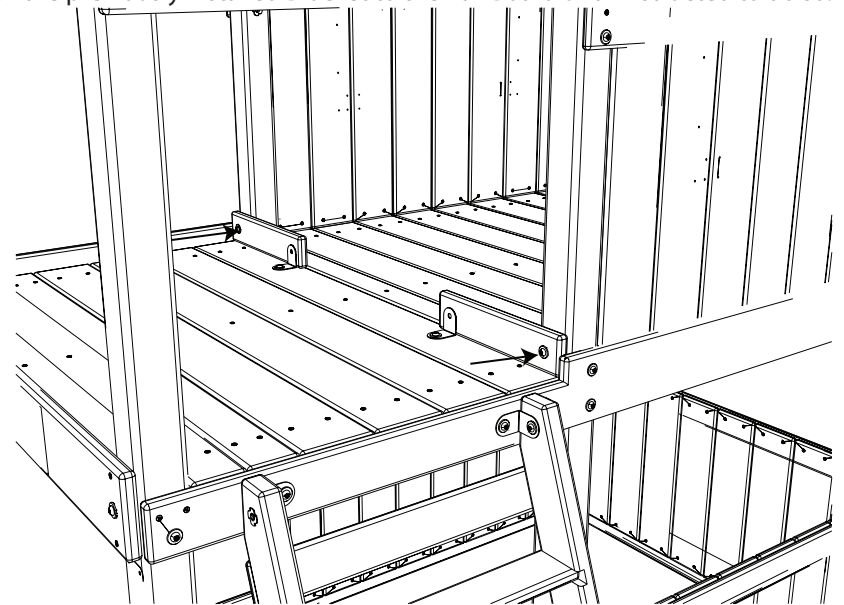
### Step 80:

Attach (2) Brackets (HD52) to the Floorboard (020) using (2) Nuts (N21) and (2) Bolts (B193). Note the orientation of the Brackets.



### Step 81:

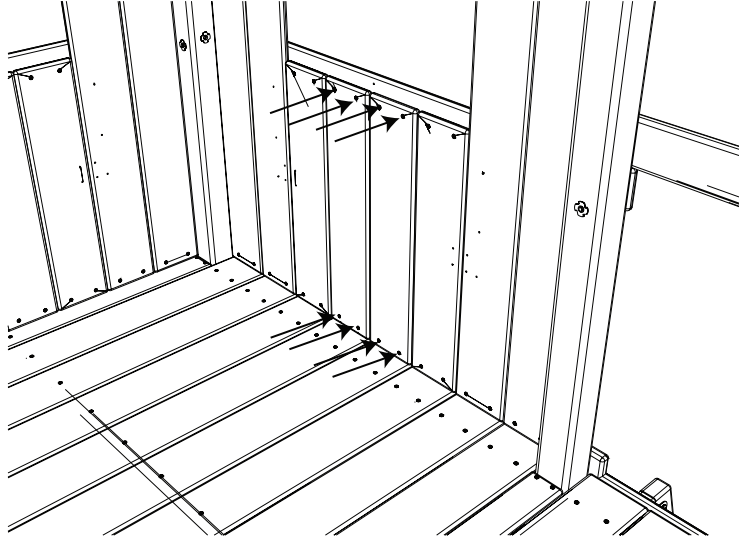
Attach (1) Rail Board (021) to each Tower Leg (002) using (1) Screw (S119). Do not attach the previously installed Bracket to the Rail Board until instructed to do so.





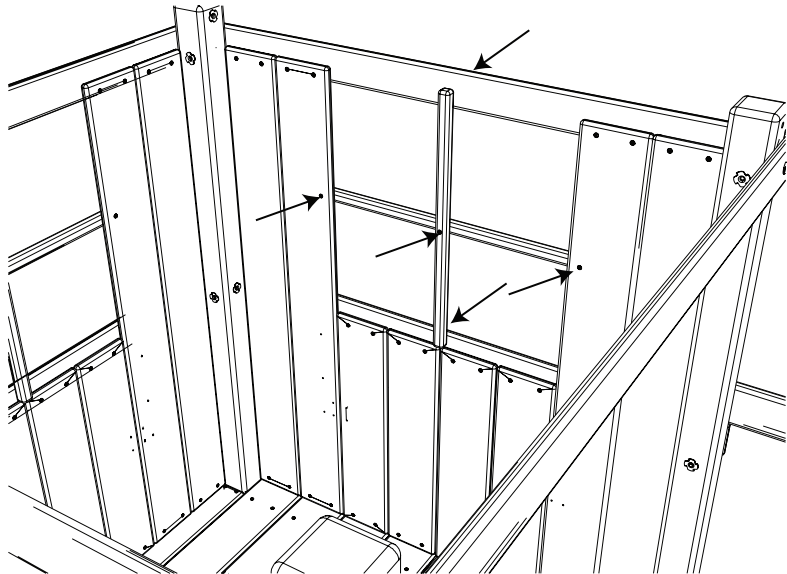
## Step 78:

Attach (2) Wall Boards (071) to the Rail Board (009) using (4) Screws (S95). Attach the Wall Boards to the Floor Rail (005) using (4) Screws (S91). Ensure that the Wall Boards are flush against the previously installed Wall Boards.



## Step 79:

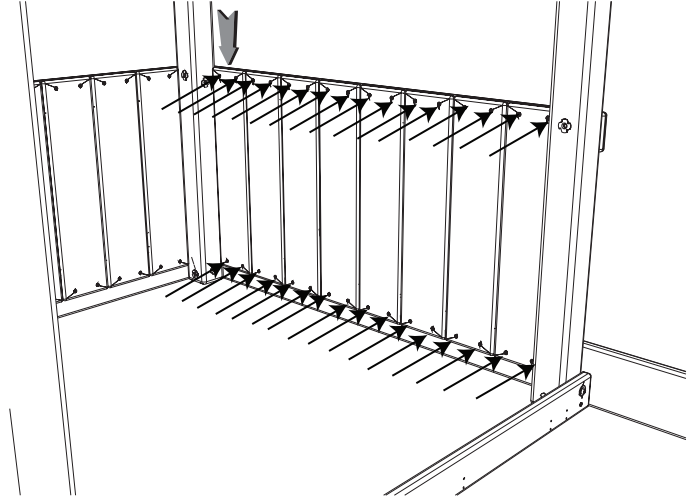
Attach (1) Window Board (019) to Wall Boards (067) using (2) Screws (S91). Attach (1) Window Board (018) to Rail Board (056) and Rail Board (009) using (2) Screws (S91). Secure the Window Boards (018) and (019) to each other using (1) Screw (S92). Note the location of the Window Boards.



54

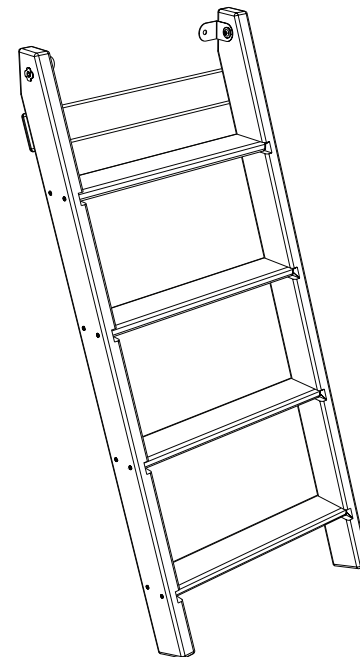
## Step 56:

Attach (8) Wall Boards (010) to Rail Board (030) using (16) Screws (S95). Attach the Wall Boards to Baseboard (057) using (16) Screws (S91). Ensure that the top edges of the Wall Boards are flush with the top edge of the Rail Board.



## Step 57:

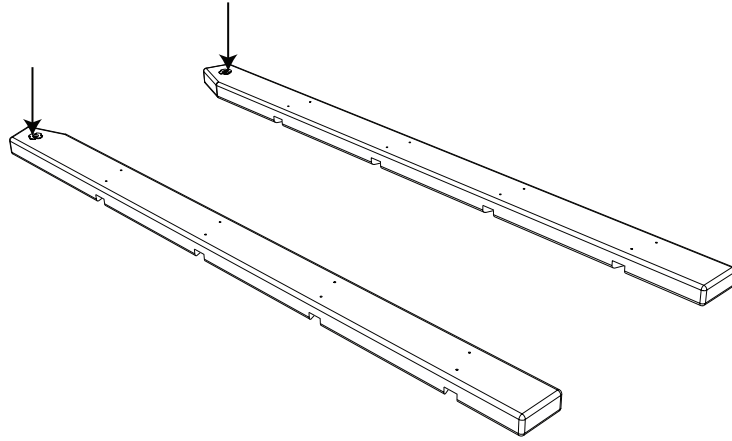
The following steps will guide you through the Ladder Assembly.



43

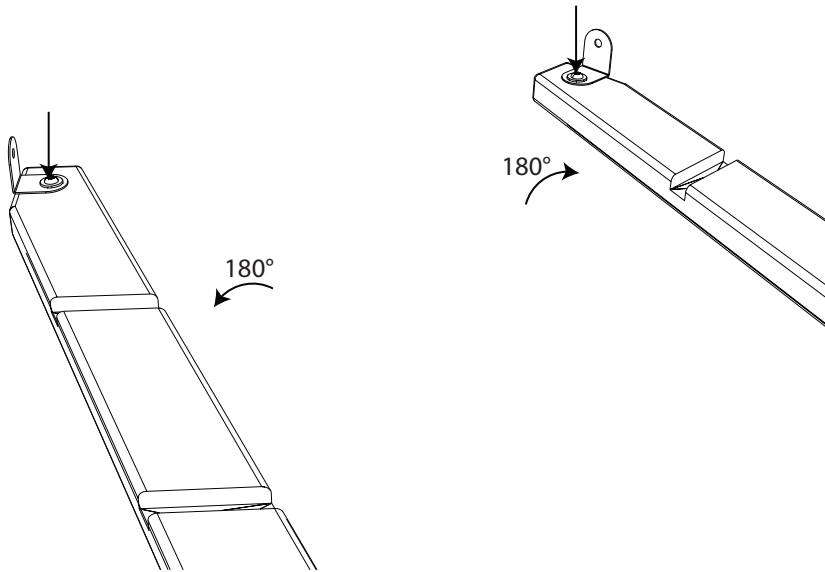
### Step 58:

Insert (1) Nut (N02) into (1) Right Upright (028). Insert (1) Nut (N02) into (1) Left Upright (027).



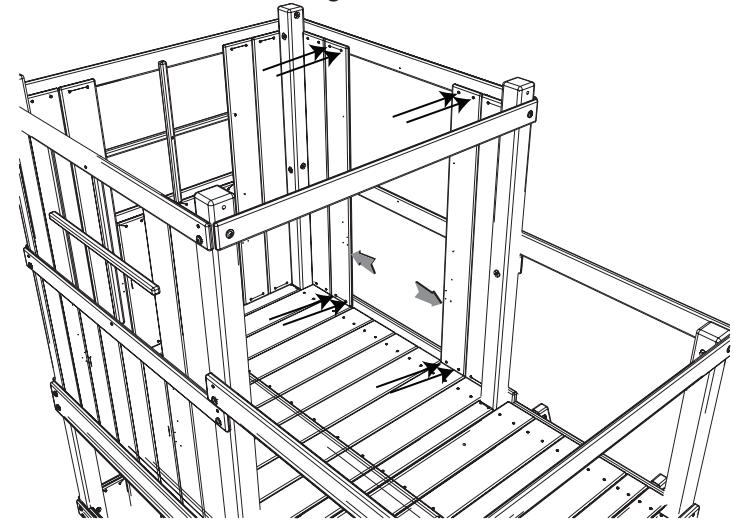
### Step 59:

Rotate the Left and Right Uprights so each Nut is on the ground. Attach (1) Bracket (HD52) to each Upright using (1) Bolt (B160).



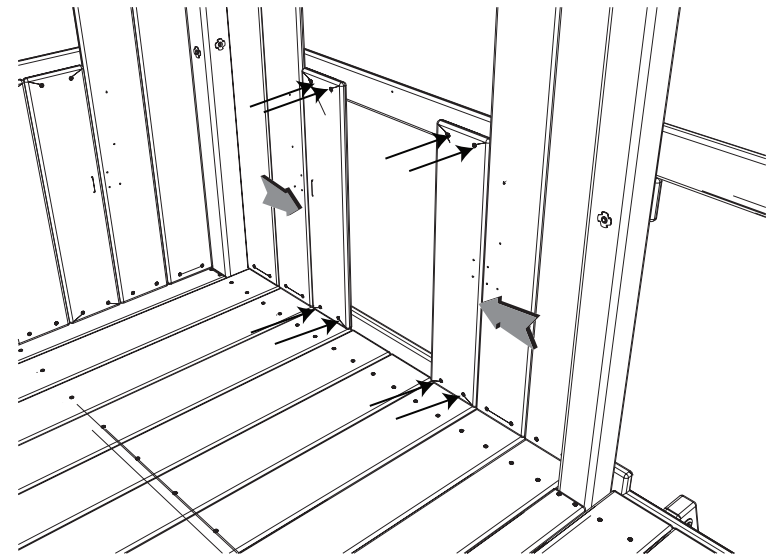
### Step 76:

Attach (2) Wall Boards (067) to the Rail Board (056) using (4) Screws (S95). Attach the Wall Boards to the Floor Rail (005) using (4) Screws (S91). Ensure that the Wall Boards are flush against the previously installed Wall Boards and that the predrilled holes are near the inner edges.



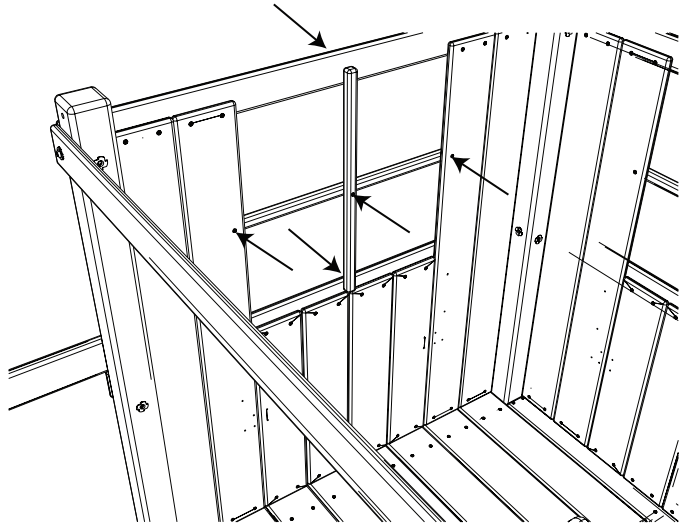
### Step 77:

Attach (2) Wall Boards (068) to the Rail Board (009) using (4) Screws (S95). Attach the Wall Boards to the Floor Rail (005) using (4) Screws (S91). Ensure that the Wall Boards are flush against the previously installed Wall Boards and that the predrilled holes are closer to the previously installed Wall Boards.



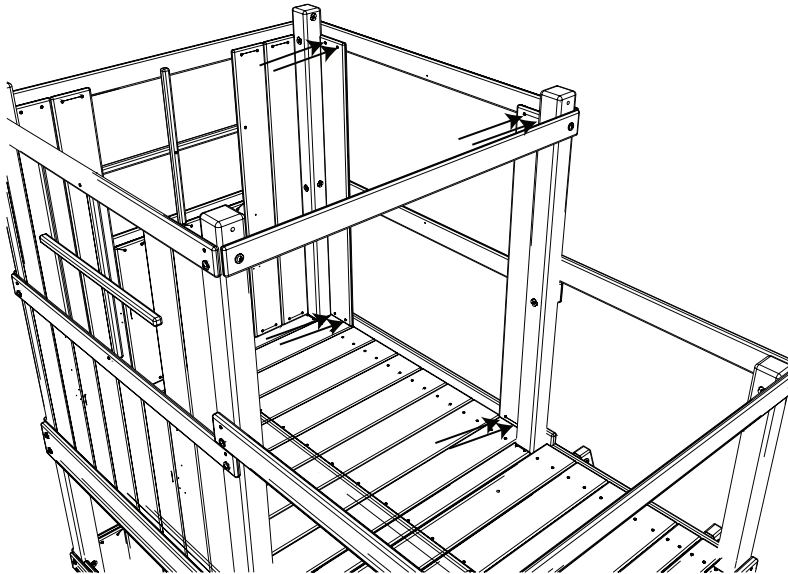
### Step 74:

Attach (1) Window Board (019) to Wall Boards (067) using (2) Screws (S91). Attach (1) Window Board (018) to Rail Boards (056) and (009) using (2) Screws (S91). Secure the Window Boards (018) and (019) to each other using (1) Screw (S92). Note the location of the Window Boards.



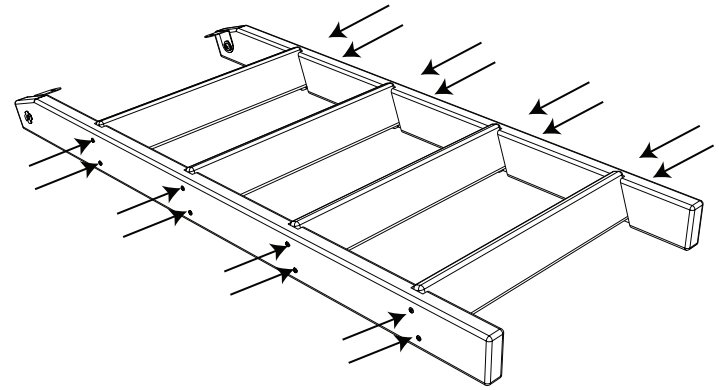
### Step 75:

Attach (2) Wall Boards (017) to the Rail Board (056) using (4) Screws (S95). Attach the Wall Boards to the Floor Rail (005) using (4) Screws (S91). Ensure that the Wall Boards are flush against the Tower Legs.



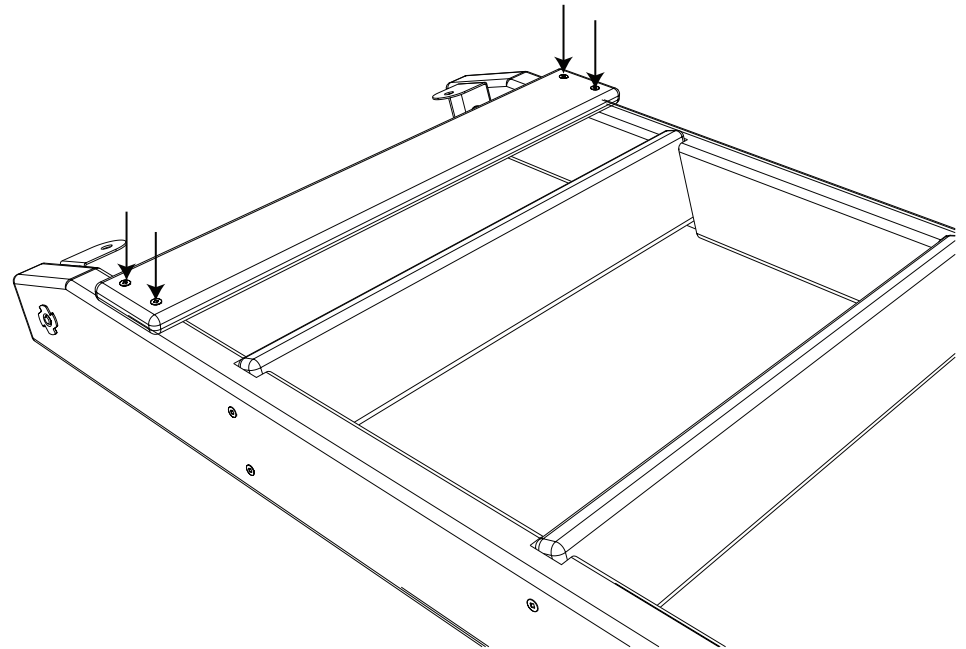
### Step 60:

Align the Left and Right Uprights. Note the location of the angled edges. Insert (4) Ladder Rungs (026) into the grooves of the Left and Right Uprights. Attach the Ladder Rungs using (16) Screws (S96).



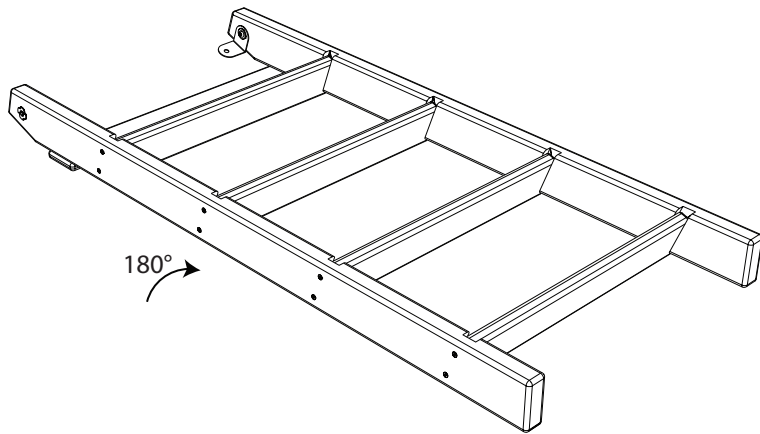
### Step 61:

Attach (1) Rear Support (029) to the Uprights using (4) Screws (S96).



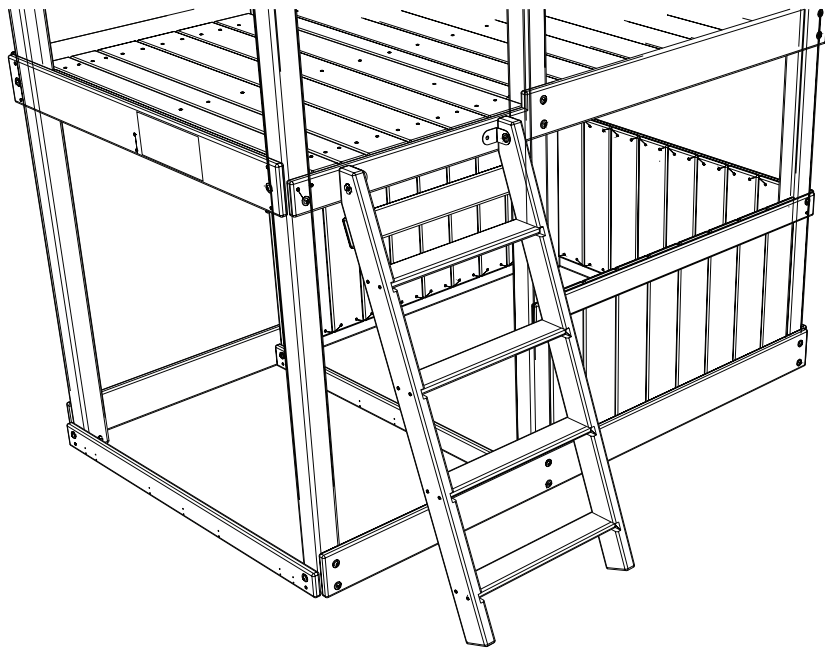
## Step 62:

Carefully turn the Ladder over so the Rear Support is on the ground.



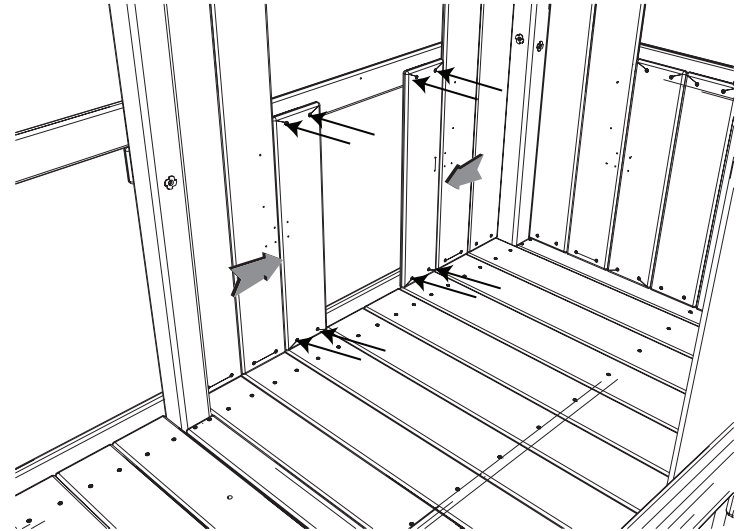
## Step 63:

Align the Ladder with the Floor Rail (005).



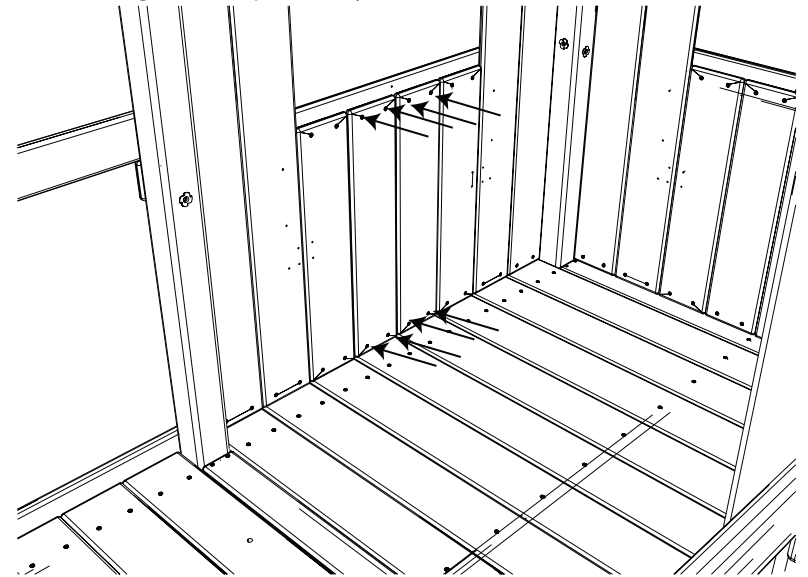
## Step 72:

Attach (2) Wall Boards (068) to the Rail Board (009) using (4) Screws (S95). Attach the Wall Boards to the Floor Rail (008) using (4) Screws (S91). Ensure that the Wall Boards are flush against the previously installed Wall Boards and that the predrilled holes are closer to the previously installed Wall Boards.



## Step 73:

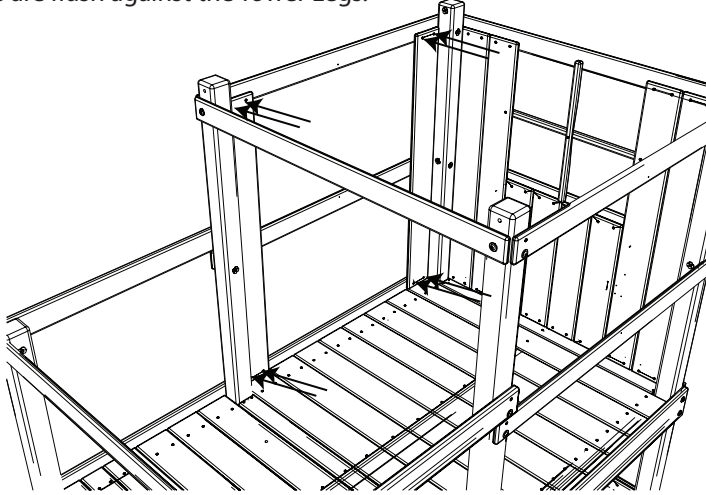
Attach (2) Wall Boards (071) to the Rail Board (009) using (4) Screws (S95). Attach the Wall Boards to the Floor Rail (008) using (4) Screws (S91). Ensure that the Wall Boards are flush against the previously installed Wall Boards.





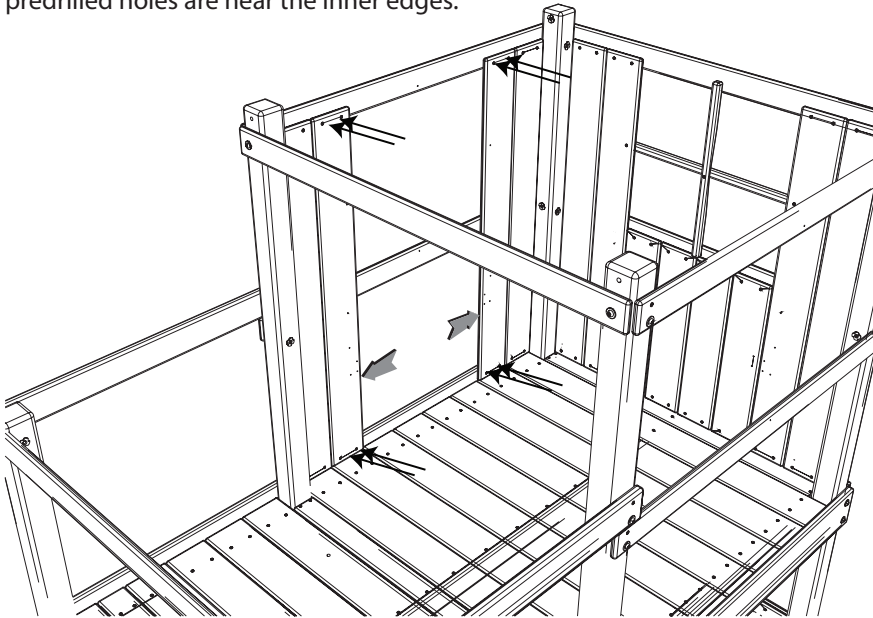
### Step 70:

Attach (2) Wall Boards (017) to the Rail Board (056) using (4) Screws (S95). Attach the Wall Boards to the Floor Rail (008) using (4) Screws (S91). Ensure that the Wall Boards are flush against the Tower Legs.



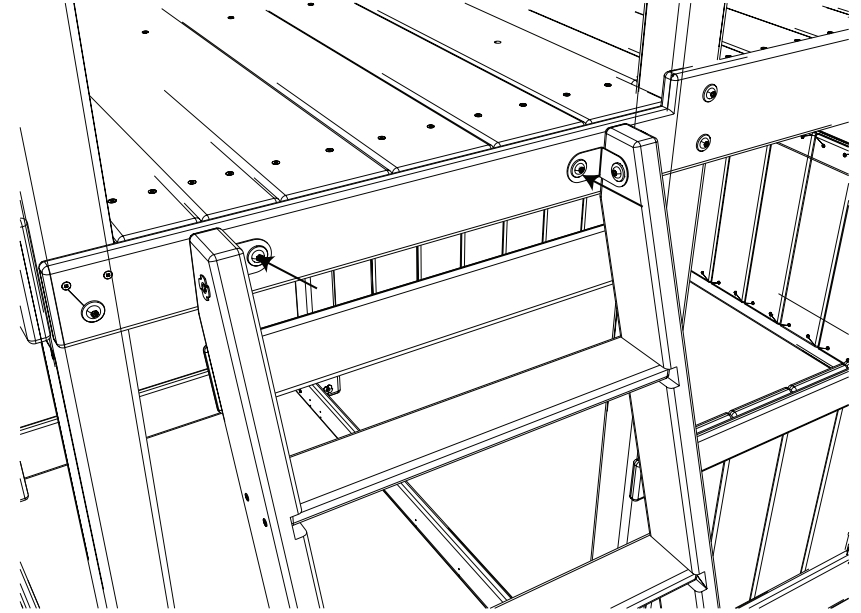
### Step 71:

Attach (2) Wall Boards (067) to the Rail Board (056) using (4) Screws (S95). Attach the Wall Boards to the Floor Rail (008) using (4) Screws (S91). Ensure that the Wall Boards are flush against the previously installed Wall Boards and that the predrilled holes are near the inner edges.



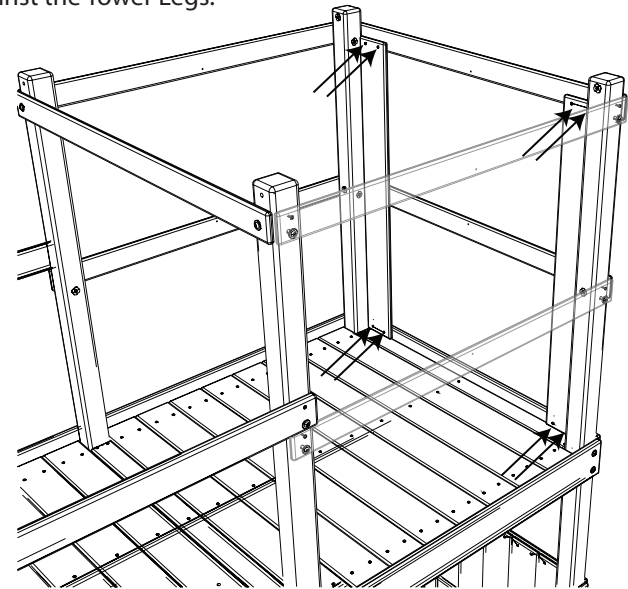
### Step 64:

Attach the Ladder to the Floor Rail using (2) Bolts (B159).



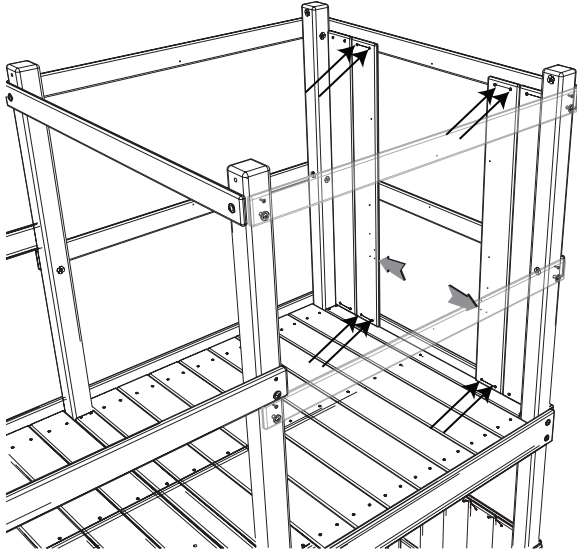
### Step 65:

Attach (2) Wall Boards (017) to the Rail Board (039) using (4) Screws (S95). Attach the Wall Boards to the Floor Rail (007) using (4) Screws (S91). Ensure that the Wall Boards are flush against the Tower Legs.



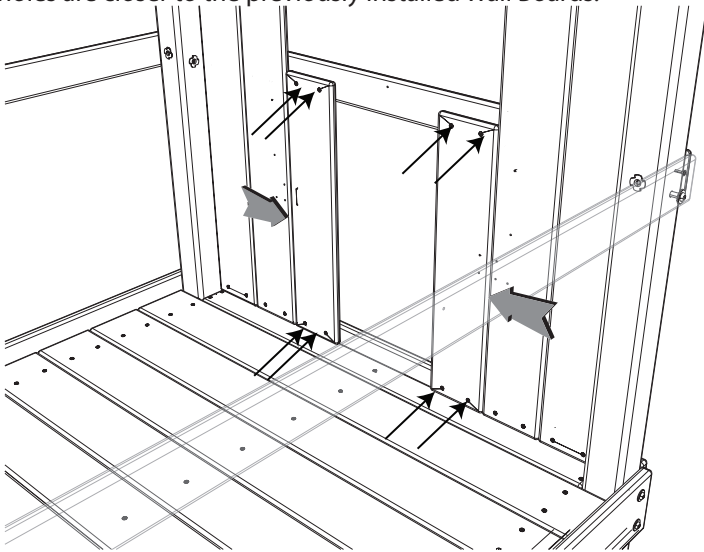
## Step 66:

Attach (2) Wall Boards (067) to the Rail Board (039) using (4) Screws (S95). Attach the Wall Boards to the Floor Rail (007) using (4) Screws (S91). Ensure that the Wall Boards are flush against the previously installed Wall Boards and that the predrilled holes are near the inner edges.



## Step 67:

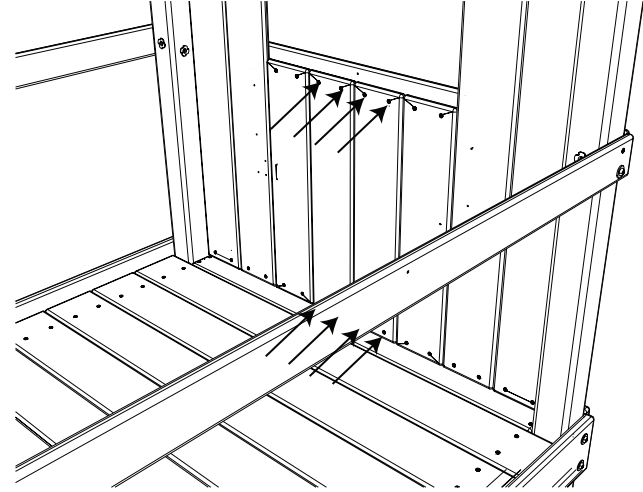
Attach (2) Wall Boards (068) to the Rail Board (039) using (4) Screws (S95). Attach the Wall Boards to the Floor Rail (007) using (4) Screws (S91). Ensure that the Wall Boards are flush against the previously installed Wall Boards and that the predrilled holes are closer to the previously installed Wall Boards.



48

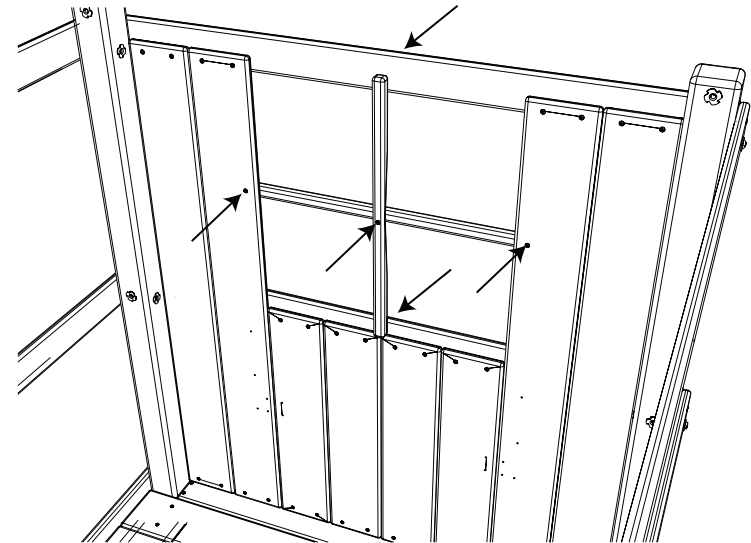
## Step 68:

Attach (2) Wall Boards (071) to the Rail Board (039) using (4) Screws (S95). Attach the Wall Boards to the Floor Rail (007) using (4) Screws (S91). Ensure that the Wall Boards are flush against the previously installed Wall Boards.



## Step 69:

Attach (1) Window Board (019) to Wall Boards (067) using (2) Screws (S91). Attach (1) Window Board (018) to Rail Boards (039) using (2) Screws (S91). Secure the Window Boards (018) and (019) to each other using (1) Screw (S92). Note the location of the Window Boards.



49