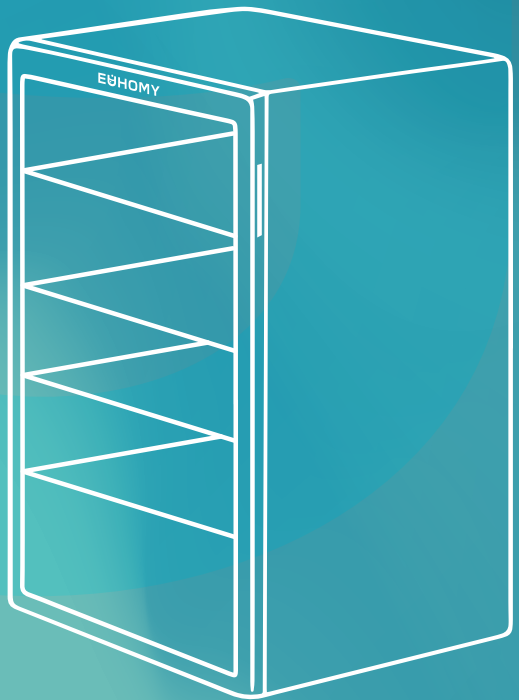


EÜHOMY

BEVERAGE REFRIGERATOR

Instruction Manual

SKU: BR-110/BR-110H



Email: support@euhomy.com



Facebook: [@Euhomy.Official](https://www.facebook.com/Euhomy.Official)

Congratulations

Dear Customer:

Welcome to the Euhomy family. Thank you for purchasing one of our products.

Our goal is to provide you with superior service. If there is anything missing from or wrong with your order, or if you have any questions about using our product, PLEASE contact us.

Email: support@euhomy.com

Facebook: @Euhomy.Official

The Euhomy team is available 24/7 to address your questions, comments, and concerns. Your satisfaction is our ultimate goal. We want to make everything right so you'll share your positive experience with other shoppers on Amazon.

If you experience any problems, please send an email to support@euhomy.com.

Our mission:

- * To be the most trusted appliance brand.
- * To create practical, compact appliances that better your life.

Be sure to register at
www.euhomy.com/register
for updates, warranty, and other relevant information.

TABLE OF CONTENTS

Safety precautions	2-3
Installation	4-5
Instructions	6
Placement	7
Defrosting and Normal Sounds	8
Maintenance	9
Warranty	10
Trouble shooting	11

I Safety Precautions

SAVE THESE INSTRUCTIONS / For Household Use Only

- Keep ventilation openings, in the appliance enclosure or in the built-in structure, clear of obstruction.
- Do not use mechanical devices or other means to accelerate the defrosting process, other than those recommended by the manufacturer.
- Do not store explosive substances, such as aerosol cans with a flammable propellant, in this appliance.
- Do not use extension cords or ungrounded (two prong) adapters.
- This appliance is intended to be used in households and similar applications such as: staff kitchen areas in shops, offices and other working environments; hotels, motels and other residential type environments; bed and breakfast type environments; catering and similar non-retail applications.
- Do not pull on the power cord when pulling the power plug of the beverage cooler. Firmly grasp the plug and pull it out from the socket directly.

WARNINGS RELATED TO ELECTRICITY

- Do not damage the power cord under any circumstances.
- Please use a dedicated three-hole power socket which is 15A or more and not shared with other electrical appliances.
- Please ensure that the grounding electrode of the power socket is equipped with a reliable grounding line.
- The beverage cooler uses AC power supply of 115V/60 Hz. If the voltage fluctuation exceeds the range of 115V +- 10%, it can cause accidents or damage the cooler.
- In case of leaking gas, turn off the leaking valve and open all doors and windows. Do not unplug the cooler yourself, as it may cause a fire. Contact customer support immediately.
- For your safety, don't place electric any devices on top of the cooler like microwaves or electric kettles, and don't store your beverage cooler inside your pantry.

WARNINGS RELATED TO USE

- Make sure there is ample ventilation space surrounding the beverage cooler.
- Be careful not to get your fingers or any dangling accessories caught in the cooler door.
- This cooler and its packaging are not intended to be played with or used by children. If a child is using the cooler, it must be with adult supervision to avoid injury.
- Keep the cooler away from moist, damp or humid environments and situations so as not to damage the electrical insulation.
- Do not use the base, cooler door, etc. as pedal or support.
- Do not place heavy objects on top of the cooler to prevent accidental damage or injury.

WARNINGS RELATED TO PLACING ITEMS

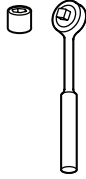
- Do not put flammable, explosive, volatile and highly corrosive items in the cooler to prevent damages to the product or fire accidents.
- Do not place flammable items near the cooler to avoid fires.
- This product is for household refrigeration appliances, mainly used in the storage of beverage, not for any other purposes, such as storage of blood, drugs or biological products.
- Do not cover or close ventilation and exhaust holes.

Pre-Operation

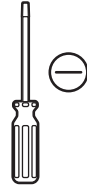
TOOLS REQUIRED



**#2 Phillips
screwdriver**

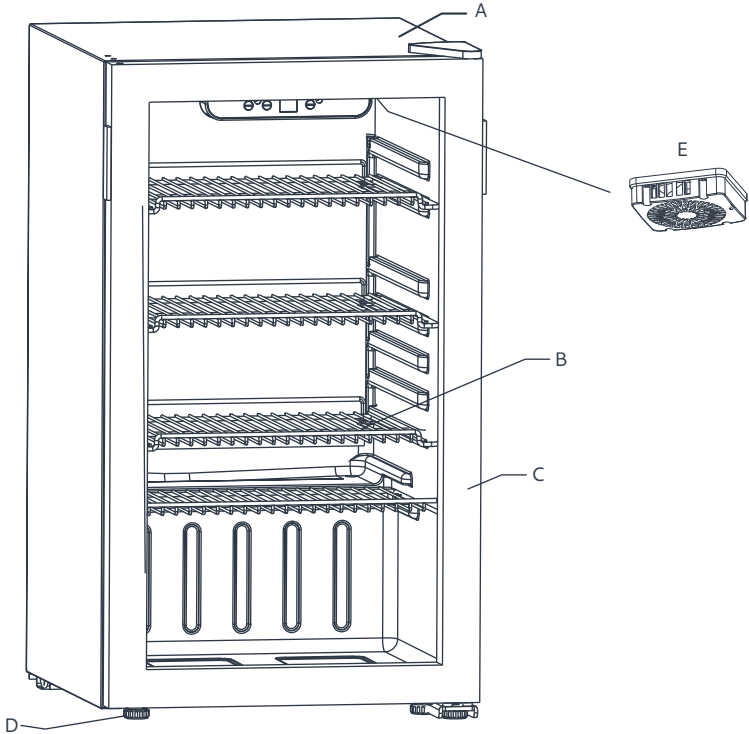


**5/16-inch(8mm)
Socket tool**



**Flat head
screwdriver**

PRODUCT DESCRIPTION



Part	Description
A	3.2 cu ft beverage cooler
B	Shelf
C	Reversible double-pane glass door with stainless-steel frame

Part	Description
D	Adjustable front leveling legs
E	Fan

I Installation

IMPORTANT SAFETY INSTRUCTIONS



To reduce the risk of fire, electrical shock, or injury when using your appliance, follow these basic precautions:

- Read all instructions before using the appliance.
- **DANGER or WARNING:** An empty beverage refrigerator can be a hazardous for children or small pets. If disposing of the beverage refrigerator, remove all gasket seals, latches, lids or the entire door from your unused appliance, or take other actions to ensure that the beverage refrigerator is harmless.
- Never allow children to operate, play with, or crawl inside the appliance.
- Never clean appliance parts with flammable fluids or harsh chemicals. The fumes can create a fire or explosion.
- Do not store or use gasoline or any other flammable vapors and liquids in the vicinity of this or any other appliance. The fumes can create a fire or explosion.

INSTALLATION INSTRUCTIONS

BEFORE USING YOUR APPLIANCE

- Remove the exterior and interior packaging.
- Before connecting the appliance to the power source, let it stand upright for approximately 24 hours. This will reduce the possibility of a malfunction in the cooling system from handling during transportation.
- Clean the interior surface using lukewarm water and a soft cloth.

INSTALLATION OF YOUR APPLIANCE

- The appliance is designed for freestanding installation.
- **WARNING:** Do not store or install the appliance outdoors.
- **CAUTION:** This appliance is designed for storing and cooling beverage or wines. Do not store perishable food, medicine or other medical products.
- Place your appliance on a hard and level floor that is strong enough to support it when it is fully loaded.
- To level your appliance, adjust the levelling legs at the bottom of the appliance, if necessary.
- Allow at least 5 inches (127mm) of space between the back and sides of the appliance are suggested, which allows the proper air circulation to cool the compressor and condenser. We do not recommend installing the appliance on a carpet.
- Do not install the appliance near an oven or other heating source. Direct sunlight may affect the acrylic coating and heat sources may increase electrical consumption. For best performance, do not install the appliance behind a cabinet door or block the base grille. Extreme cold ambient temperatures may also prevent the appliance from performing properly.
- Avoid locating the appliance in area that may be exposed to excessive moisture.
- Plug in the appliance into an exclusive, grounded wall power outlet. Do not under any circumstances cut or remove the third (ground) prong from the power cord. Any questions concerning power and/or grounding should be directed toward a qualified electrician or an authorized service center.

I Installation

INSTALLATION LOCATION

Your beverage refrigerator should be conveniently located for day-to-day use in a dry, well-ventilated room.

Do not install the appliance where the temperature will go below 60°F or above 90°F, because it will not maintain proper temperatures. Be sure to install your beverage refrigerator on a floor strong enough to support it when it is fully loaded.

FREESTANDING INSTALLATION

A freestanding installation will allow you to install the beverage refrigerator in any place you desire provided that the required clearance space around the appliance is respected. In every setting, there must be adequate ventilation and access for service. Never install or operate the unit in an enclosed area, such as a closed cabinet. Allowance of at least 5 inches (127mm) of space between the back and sides of the appliance are suggested, which allows the proper air circulation to cool the compressor and condenser.

ELECTRICAL CONNECTION



Improper use of the grounded plug may result in the risk of electrical shock. If the power cord is damaged, have it replaced by a qualified electrician or contact EUHOMY Service Department.

This appliance requires a standard 115/120 Volt AC ~/60Hz electrical ground outlet with three-prong. Have the wall outlet and circuit checked by a qualified electrician to ensure that the outlet is properly grounded. The cord should be secured behind the appliance and not left exposed or dangling to prevent accidental injury.

The appliance should always be plugged into its own individual electrical outlet which has a voltage rating that matches the rating label on the appliance. This provides the best performance and also prevents overloading house wiring circuits that could be a fire hazard from overheated. Never unplug the appliance by pulling the power cord. Always grip the plug firmly and pull straight out from the receptacle. Immediately repair or replace all power cords that have become frayed or otherwise damaged.

Do not use a cord that shows cracks or abrasion damage along its length or at either end. When moving the appliance, be careful not to damage the power cord.

EXTENSION CORD

Because of potential safety hazards, it is strongly recommended that you do not use an extension cord with this appliance. However, if you must use an extension cord, it is absolutely necessary that it be a UL-Listed, 3-wire grounding type appliance extension cord having a grounding type plug and outlet and that the electrical rating of the cord be 115 volts and at least 10 amperes.

I Instructions

PROPER USE OF BEVERAGE COOLER

Startup

Connect the power cord to a standard wall outlet. Do not use a GFCI outlet to connect the unit (see page 4). After connection, you will immediately hear a short beep.

Display Controls

The default temperature is 43°F. Use the \oplus and \ominus buttons to set the desired temperature between the range of 32°F–61°F.

The display will flash while the temperature is being set. After a few seconds, it will revert to its current internal temperature reading. The digital display reading will adjust as the unit cools.

While the unit is adjusting to the new setting, press the \oplus or \ominus buttons to view the selected temperature setting.

If there is a power outage, the unit will revert to the last temperature setting once power is restored.

LED LIGHT

Press the \odot button to turn the LED light on and off.

To enhance the lifespan of the LED light and conserve energy, it is recommended to predominantly utilize the light for loading and selecting beverages.



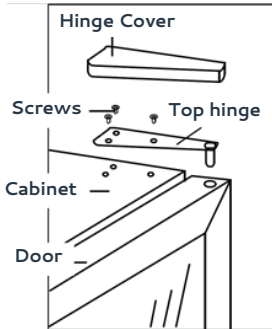
Loading Beverages

When first loading the beverage cooler to full capacity, we recommend the following steps to effectively cool a large number of beverages.

1. Use the Adjustable Thermostat Control to set the temperature to 43°F (also the default temperature).
2. Allow the beverage cooler to cool for a minimum of two hours.
3. Load the beverages. To achieve maximum capacity, refer to the loading diagrams.
4. After initially filling with beverages, the internal temperature will rise as indicated on the display.
5. Once the beverage cooler has cooled the beverages to 43°F, use the Adjustable Thermostat Control to select a desired cooler internal temperature (lowest temperature setting is 40°F).
6. Allow several hours for the beverage cooler to cool to the desired lower temperature.

Note: It is normal for temperature variances to occur inside the unit, and areas near the door will have slightly warmer temperatures.

I Placement



REVERSING THE DOOR SWING

Tools needed: flathead screwdriver, Phillips screwdriver

CAUTION: Before you begin, unplug the beverage refrigerator from power.

To remove the door:

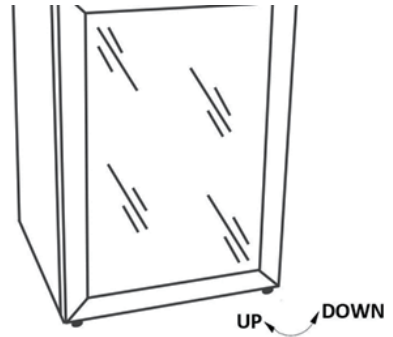
1. Using a flathead screw driver, carefully pry the top hinge cover off.
2. Using a Phillips screwdriver, remove the screws and take off the top hinge. Keep the parts together and set them aside.
3. Lift the door off the bottom hinge and set the door aside.
4. Remove the bottom hinge by removing the screws with a Phillips head screwdriver.

To install the door:

1. Using a flathead screwdriver, remove the plugs and cover from the opposite cabinet top corner and from the door.
2. Install the bottom hinge at the opposite side corner and fasten the screws.
3. Position the door on the bottom hinge.
4. Align the door on the bottom hinge and install the top hinge.
5. Push the plugs and covers into the corresponding holes.

LEVELING THE APPLIANCE

- It is important for the beverage cooler to be levelled in order to work properly.
- It can be raised or lowered by rotating each of the feet on the bottom of the machine.
- If you find that the surface is not level, rotate the feet until the beverage refrigerator becomes level. You may need to make several adjustments to level it. We recommend using a carpenter's level to check the machine.



1. Place a carpenter's level on top of the product to see if the beverage refrigerator is level from front to back and side to side.
2. Adjust the height of the feet as follows: Turn the levelling feet to the right to lower that side of the refrigerator. Turn the levelling feet to the left to raise that side of the refrigerator.

IMPORTANT: Once you are ready to install, you must adjust the feet to level the beverage refrigerator.

I Defrosting and Normal Sounds

DEFROSTING

Frost may form on the interior back panel of the unit when the temperature setting is very low and the unit is not fully stocked with beverages. The presence of frost may force the unit to run continuously and thus, increase internal temperature.

To defrost the beverage cooler:

1. Use the ⊕ and ⊖ buttons to increase the temperature until the compressor turns off.
2. Allow the internal ice/frost build-up to melt. Ensure the internal drain (located at the middle back of the lower shelf) is not clogged.
3. During this time, the melted frost flows through an internal drain into a holding pan on top of the compressor. The heat of the compressor evaporates the liquid.
4. Reset the temperature to 43°F and allow it to cool for at least one hour.
5. Adjust to the desired temperature setting.

NORMAL SOUNDS

The unit is cooled by a compressor. The compressor pumps coolant through the cooling system, producing operating noise. Even when the compressor cuts out, noises caused by changes in temperature and pressure are unavoidable. Operating noise will be most audible immediately after the compressor comes on. It becomes quieter as the operating period continues.

The following noises are normal and occur from time to time:

- Gurgling sound, caused by the refrigerant flowing through the appliance's coils.
- Humming noise, made by the compressor. This noise can get louder for brief periods when the motor is switching on.
- Cracking/popping sounds, resulting from the materials contraction and expansion due to temperature variations, fan operating sound, to circulate the air within the refrigerator cabinet.

NOTE: An individual's perception of noise is directly linked to the environment in which the unit is located, as well the specific type of models. Our appliances are in line with international standards for such appliance and in line with the latest technical developments. Please remember that the noise of the compressor and the coolant circulating in the system is unavoidable.

I Maintenance

DISCONNECTING THE BEVERAGE COOLER

Unplug the power plug from the socket to disconnect the cooler.

CLEANING YOUR BEVERAGE COOLER

Dusting behind the cooler and on the ground will improve the cooling effect and save energy. The interior of the cooler should be cleaned to avoid any odors. Follow the cleaning procedure below.

1. Unplug the cooler.
2. Wipe the door seal clean with warm water.
3. Use soap and warm water to clean the cooler.
4. Reconnect the cooler when the cooler is clean and dry.

Note: Do not use hard brushes, wire brushes, abrasives, organic solvents, boiling water, acid or alkaline items as this may damage the surface and interior of the cooler.

FREQUENTLY ASKED QUESTIONS

I'm hearing some sounds, what's up with that?

Buzzing or any gurgling sound is normal as that can be a result of the unit working properly or refrigerating fluid flowing through the pipeline.

I Warranty

Euhomy offers a limited 1-year warranty (“warranty period”) on all of our products purchased new and unused from Euhomy company, with an original proof of purchase and where a defect has arisen, wholly or substantially, as a result of faulty manufacture, parts or workmanship during the warranty period. The warranty does not apply where damage is caused by other factors, including, but not limited to:

- (a) normal wear and tear;
- (b) abuse, mishandling, accident, or failure to follow operating instructions;
- (c) exposure to liquid or infiltration of foreign particles;
- (d) servicing or modifications of the product other than by Euhomy;
- (e) commercial or non-household use.

The Euhomy warranty covers all costs related to restoring the proven defective product through repair or replacement of any defective part and necessary labor so that it conforms to its original specifications. A replacement product may be provided instead of repairing a defective product. Euhomy’s exclusive obligation under this warranty is limited to such repair or replacement. A receipt indicating the purchase date is required for any claim, so please keep all receipts in a safe place. Although greatly appreciated, the product registration is not required to activate any warranty and product registration does not eliminate the need for the original proof of purchase. The warranty becomes void if attempts at repair are made by non-authorized third parties and/or if spare parts, other than those provided by Euhomy, are used.

You may also arrange for service after the warranty expires at an additional cost. These are our general terms for warranty service, but we always urge our customers to reach out to us with any issue, regardless of warranty terms. If you have an issue with a Euhomy product, please contact us (support@euhomy.com), and we will do our best to resolve it for you.

I Trouble shooting

Problem	Possible Causes	Solutions
The appliance does not operate	<ul style="list-style-type: none"> • There is a power failure • The appliance is not plugged in • A house fuse has blown or the 1circuit breaker is tripped 	<ul style="list-style-type: none"> • Ensure the appliance is plugged in and the power outlet has power • Replace the broken fuse or reset the breaker
The appliance is not cold enough	<ul style="list-style-type: none"> • The appliance is placed too close to a heat source • The door is opened too often • The door is not closed completely • The door gasket does not seal properly 	<ul style="list-style-type: none"> • Adjust the temperature • Keep the appliance away from sun-shine or other heat sources • Close the door tightly and do not open the door too frequently or for a long period of time • Ensure the door gasket is not loose.
The appliance frequently turns on and off	<ul style="list-style-type: none"> • The ambient (room) temperature is too low or high • A large amount of contents has been added to the appliance • The door is opened too often • The door is not closed completely • The door gasket does not seal properly 	<ul style="list-style-type: none"> • Decrease or increase the ambient (room) temperature • To minimize internal temperature fluctuation, do not overstock the appliance • Close the door tightly and do not open the door too frequently or for a long period of time • Ensure the door gasket is not loose • It is normal for the fan to come on and turn off to circulate the air inside of the unit for even temperature distribution and to save energy
The appliance makes too much noise	<ul style="list-style-type: none"> • The noise may come from the flow of the refrigerant and expansion of the inside walls may cause popping and crackling noises • Contraction and expansion of the inside walls may cause popping and crackling noises • The appliance is not level 	<ul style="list-style-type: none"> • It is normal that as each cooling cycle ends, you may hear rattling or gurgling sounds caused by the flow of refrigerant in the appliance. The high efficiency compressor may make a pulsating or high pitched sound • Some popping or crackling noises are normal. They are caused by expansion and contraction of the inside walls due to temperature changes • Make sure the unit is placed on a hard and level surface. Do not place the appliance on carpet • See Normal Sounds
The door does not close properly	<ul style="list-style-type: none"> • The appliance is not level • The door was reversed and not properly installed • The shelves are out of position 	<ul style="list-style-type: none"> • Make sure the appliance is on a hard and level surface. Avoid placing the appliance on a carpeted or soft surface • Reinstall door • Correctly install the shelves
Condensation builds up on the glass door.	<ul style="list-style-type: none"> • Ambient temperature or humidity is high. 	<ul style="list-style-type: none"> • Lower the room humidity by a dehumidifier or air conditioner.

A large, stylized smiley face logo in a light teal color, centered on a darker teal background. The logo consists of a wide, curved mouth and two hexagonal eyes. The brand name 'EUHOMY' is superimposed on the upper part of the face.

EUHOMY

Refresh Every Moment!



Email: support@euhomy.com



Facebook: [@Euhomy.Official](https://www.facebook.com/Euhomy.Official)