






Trolley Step Stool

ASSEMBLY INSTRUCTIONS

HARDWARE LIST










				
S1 x 26 50mmL	S2 x 12 10mmL	M1 x 2	N1 x 2	K1 x 1

WARNING



Adult assembly required. Product includes small parts with potentially hazardous sharp points and sharp edges in the unassembled state. Keep unassembled parts away from children.

COMPONENT LIST

					
A1 X 1	A2 X 1	B X 1	C X 3	D1 X 1	D2 X 1
			<p>Helpful Advice</p> <ol style="list-style-type: none"> 1. Follow the assembly instructions carefully. 2. Check to ensure all parts, fasteners and hardware are present and in good order. 3. To prevent product damage, assemble the furniture on the carton. 4. Clean surface of furniture with a duster or damp cloth only. Do not use abrasive cleaners. Scuff Marks may be removed with a soft damp cloth and small amount of Gumption (can be purchased from local supermarket) 		
E X 1	F1 X 1	F2 X 1			

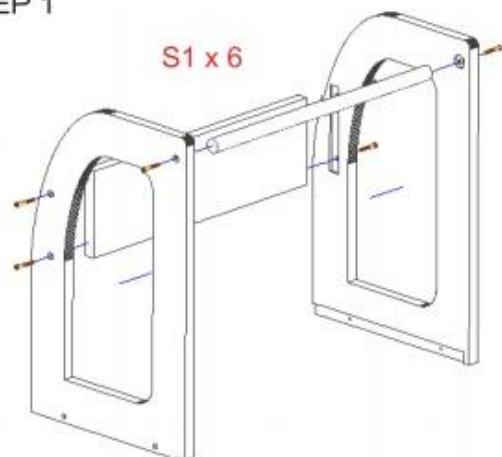
Note: Using the wrong screw will cause damage.

Before beginning assembly, identify each type of screw. Carefully study the screw diagrams (ACTUAL SIZE).

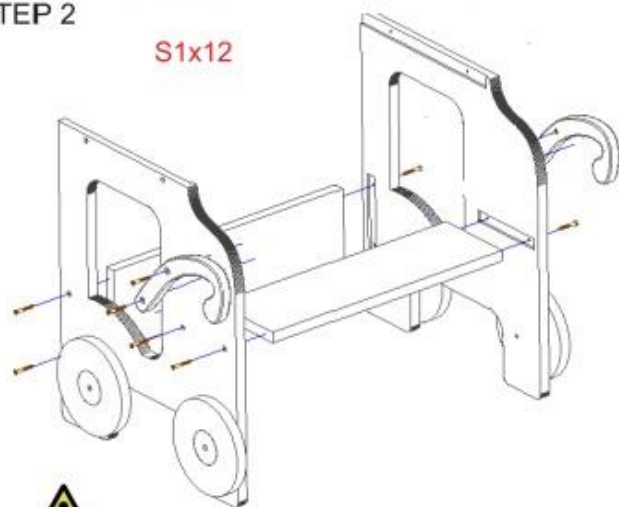
ASSEMBLY INSTRUCTIONS

Trolley Step Stool

STEP 1



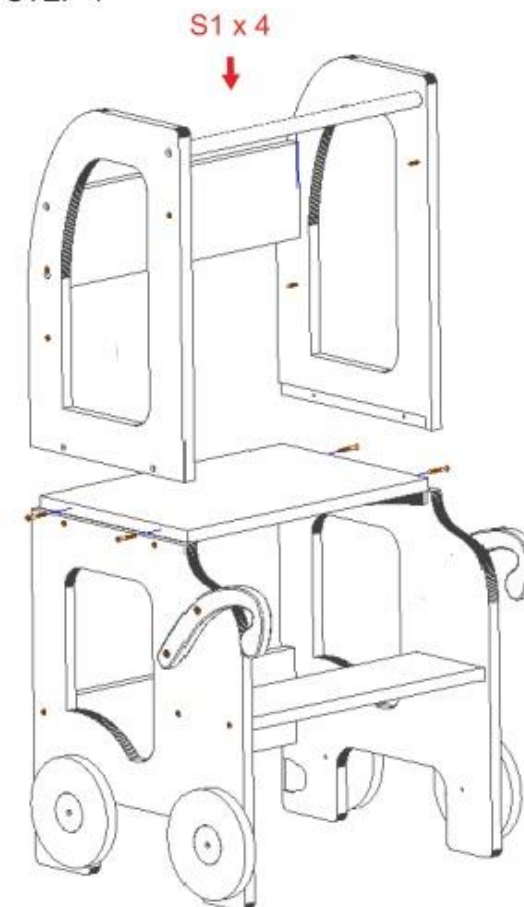
STEP 2



STEP 3



STEP 4



Ensure all screws and hardware are tightened and locked into place before use.
Use only on a firm ground which is horizontal, level and dry.