
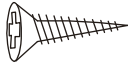
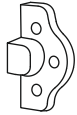

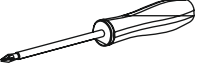



# Car Step Stool

## ASSEMBLY INSTRUCTIONS

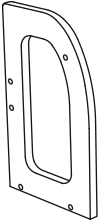


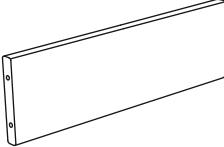
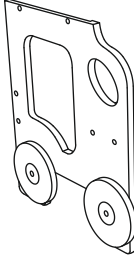
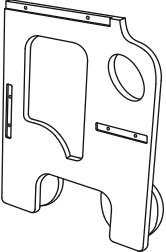
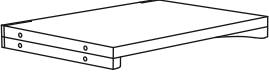
### HARDWARE LIST

				
S1 x 22 50mmL	S2 x 12 10mmL	M1 x 2	N1 x 2	K1 x 1

**WARNING**


 Adult assembly required. Product includes small parts with potentially hazardous sharp points and sharp edges in the unassembled state. Keep unassembled parts away from children.

### COMPONENT LIST

					
A1 X 1	A2 X 1	B X 1	C X 3	D1 X 1	D2 X 1
			<p><b>Helpful Advice</b></p> <ol style="list-style-type: none"> <li>1. Follow the assembly instructions carefully.</li> <li>2. Check to ensure all parts, fasteners and hardware are present and in good order.</li> <li>3. To prevent product damage, assemble the furniture on the carton.</li> <li>4. Clean surface of furniture with a duster or damp cloth only. Do not use abrasive cleaners. Scuff Marks may be removed with a soft damp cloth and small amount of Gumption (can be purchased from local supermarket)</li> </ol>		
E X 1					

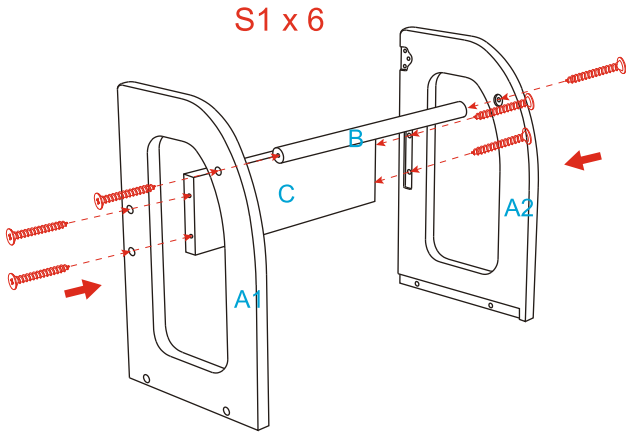
Note: Using the wrong screw will cause damage.

Before beginning assembly, identify each type of screw. Carefully study the screw diagrams (ACTUAL SIZE).

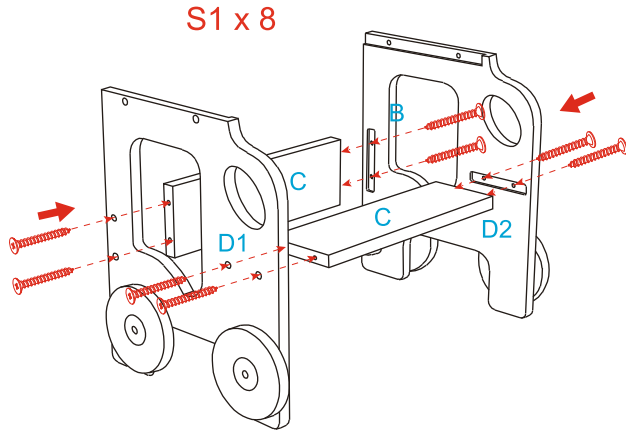
# ASSEMBLY INSTRUCTIONS

## Car Step Stool

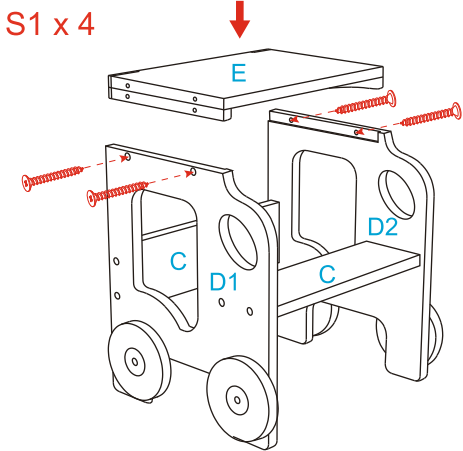
STEP 1



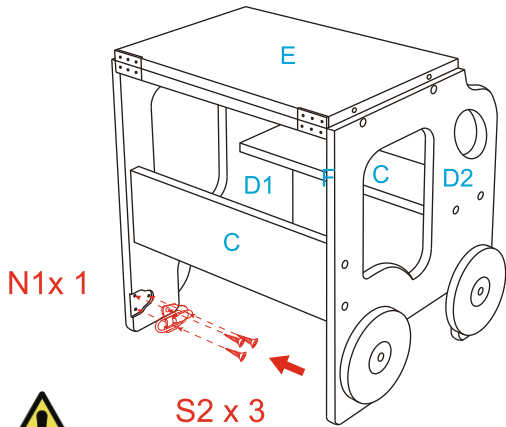
STEP 2



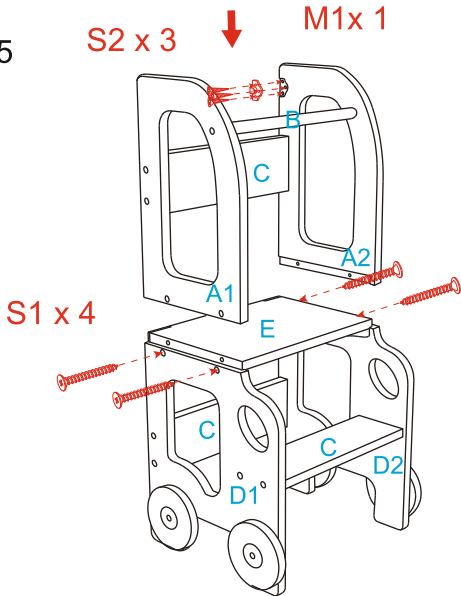
STEP 3



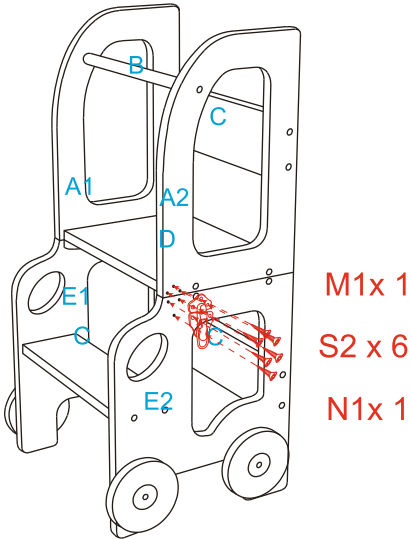
STEP 4



STEP 5



STEP 6



Ensure all screws and hardware are tightened and locked into place before use.  
 Use only on a firm ground which is horizontal, level and dry.  
 When used as step stool **adult supervision** recommended at **all time**.